

1-UP Driver Backrest for Can-Am Ryker

ZP-YJ-030603-153

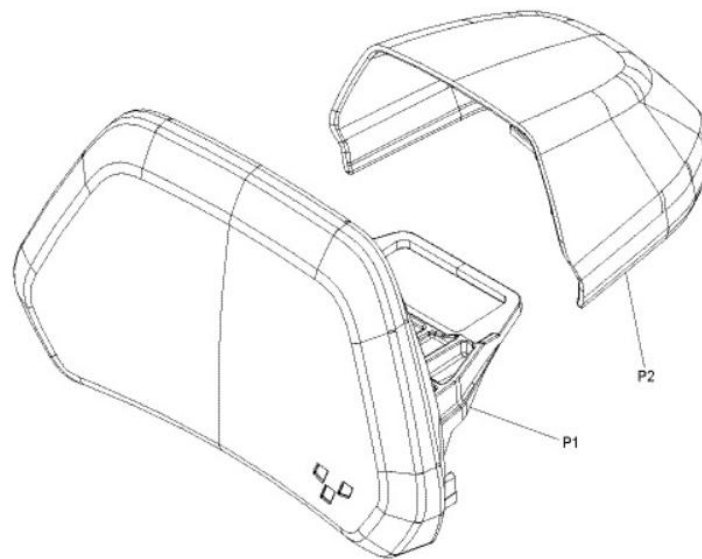
SAUTV5

BEFORE YOU BEGIN

Read these instructions and check to be sure all parts and tools are accounted. Please retain these installation instructions for future reference.

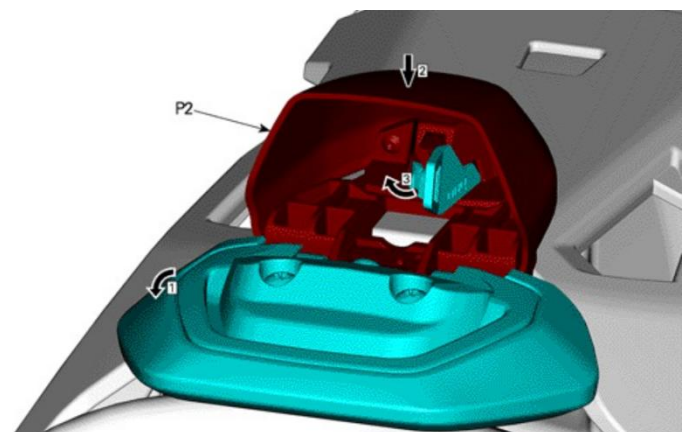
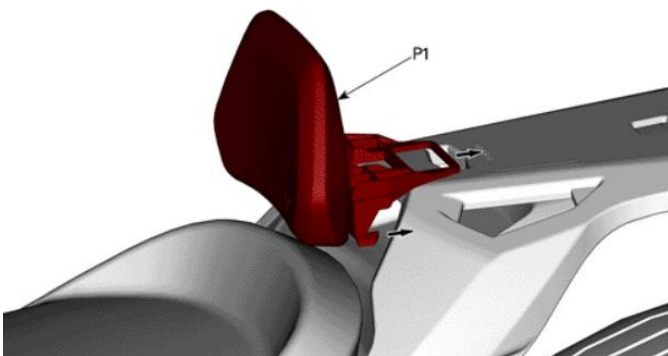
IMPORTANT

This DRIVER BACKREST KIT is exclusively designed for your vehicle. Please read the installation instructions thoroughly before beginning. Installation is easier if the vehicle is clean and free of debris.



INSTALLATION INSTRUCTIONS

1. Shift vehicle transmission into "PARK". Turn key to "OFF" position and remove from vehicle.
2. Slide the driver backrest assembly [P1] on the rear MAX Mount.
3. Fold down the driver backrest assembly. Put the backrest trim assembly [P2] in place by turning the LinQ lever in unlocked position. Secure in place by turning the LinQ lever in locked position.



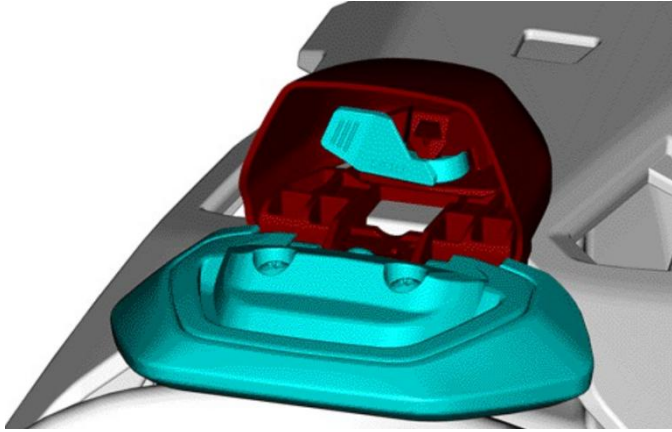
1-UP Driver Backrest for Can-Am Ryker

ZP-YJ-030603-153

Step 1: Folding down the driver backrest assembly

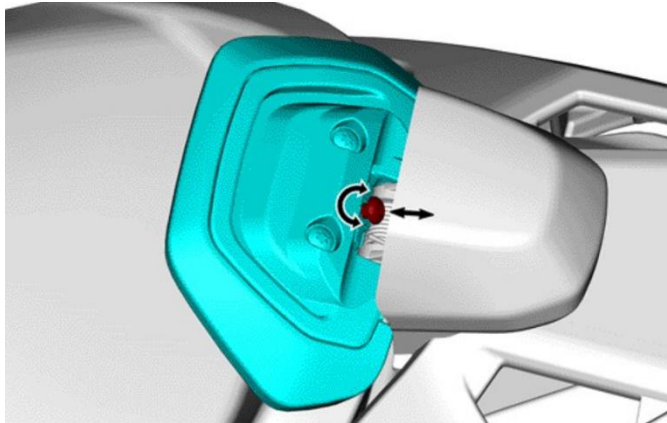
Step 2: Putting the backrest trim assembly on the MAX Mount

Step 3: Turning the LinQ lever into locked position (unlocked position illustrated above)

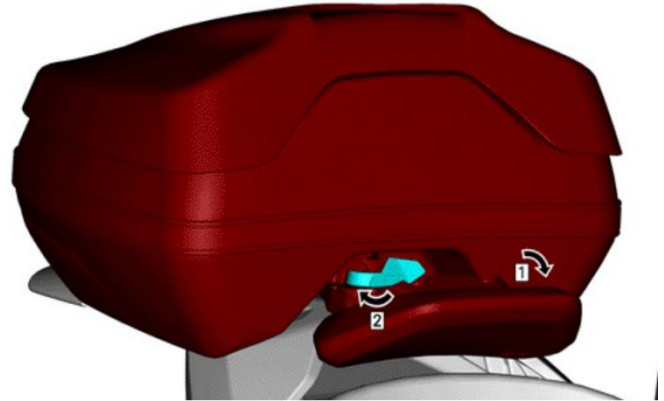


LINQ LEVER IN LOCKED POSITION

4. Fold down the driver backrest. Turn the adjustment screw to adjust the backrest angle as desired.



5. This driver backrest kit can be installed in conjunction with the LinQ Top Case (P/N 219400764). Remove driver backrest trim assembly and lock driver backrest and top case with the LinQ lever included with the top case.



1. Fold down the backrest

2. Lock the LinQ lever