

REAR POLY PANEL KIT FOR POLARIS RANGER 570

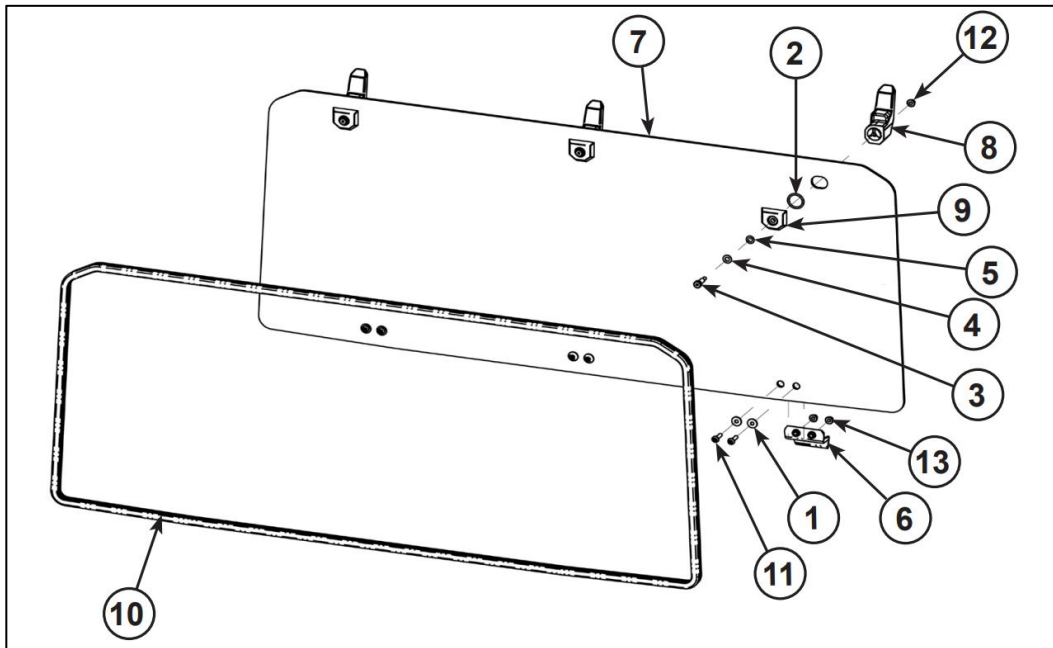
ZP-YJ-030511-002

BEFORE YOU BEGIN

Read these instructions and check to be sure all parts and tools are accounted for. Please retain these installation instructions for future reference.

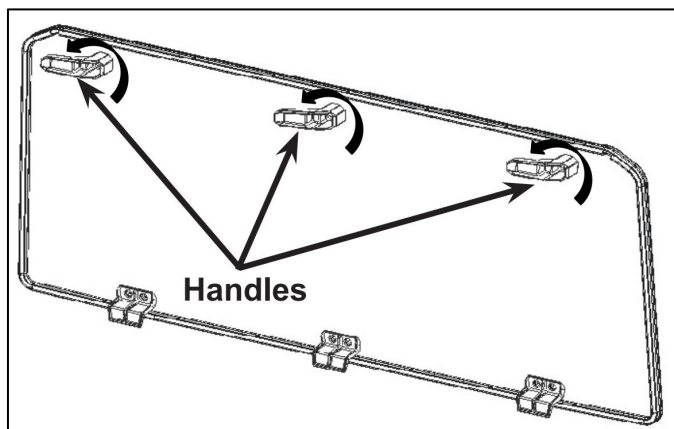
IMPORTANT

This REAR POLY PANEL KIT is exclusively designed for your vehicle. Please read the installation instructions thoroughly before beginning. Installation is easier if the vehicle is clean and free of debris.

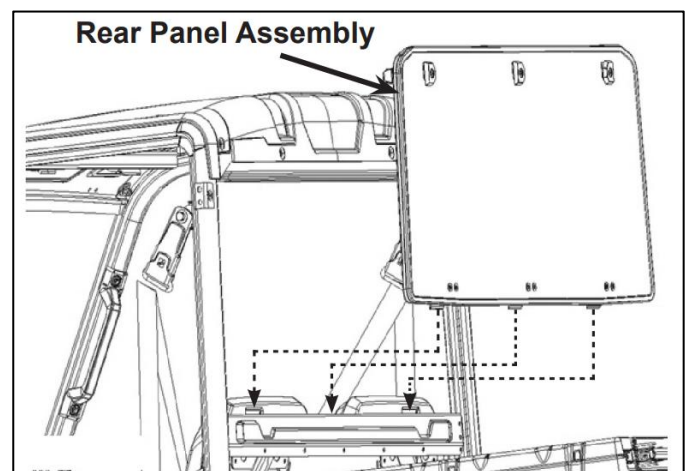


INSTALLATION INSTRUCTIONS

1. Shift vehicle transmission into "PARK". Turn key to "OFF" position and remove from vehicle.
2. Turn the handles of rear panel in the direction of arrow as shown in the following image.



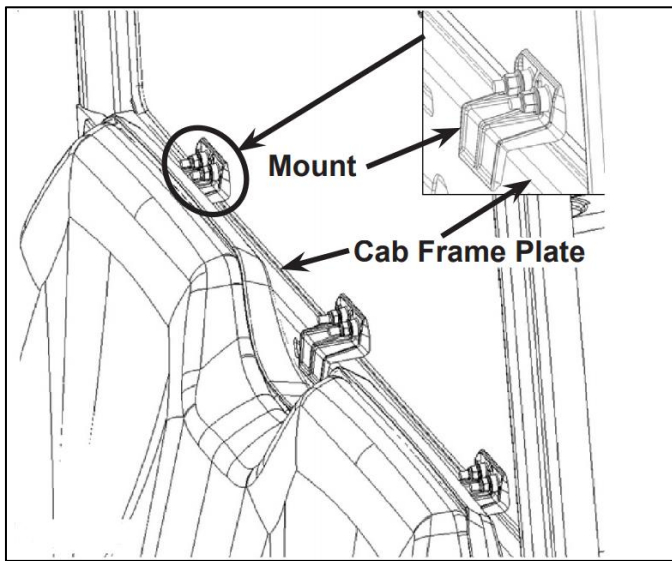
3. Push the rear panel assembly onto the ROPS.



REAR POLY PANEL KIT FOR POLARIS RANGER 570

ZP-YJ-030511-002

4. Clamp the mounts of rear panel on the cab frame plate.



5. After installation of the rear panel, turn the handles up again to clamp the panel fully on ROPS plate.

