

# UPPER FRONT BUMPER KIT FOR POLARIS RANGER

ZP-YJ-030506-005



## BEFORE YOU BEGIN

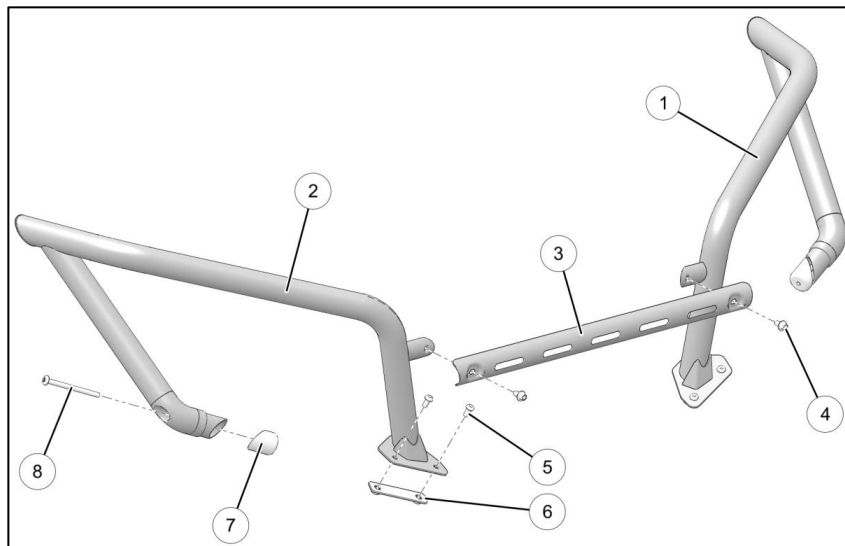
Read these instructions and check to be sure all parts and tools are accounted for. Please retain these installation instructions for future reference.

## IMPORTANT

Your UPPER FRONT BUMPER KIT is exclusively designed for your RANGER. Please read the installation instructions thoroughly before beginning. Installation is easier if the vehicle is clean and free of debris.

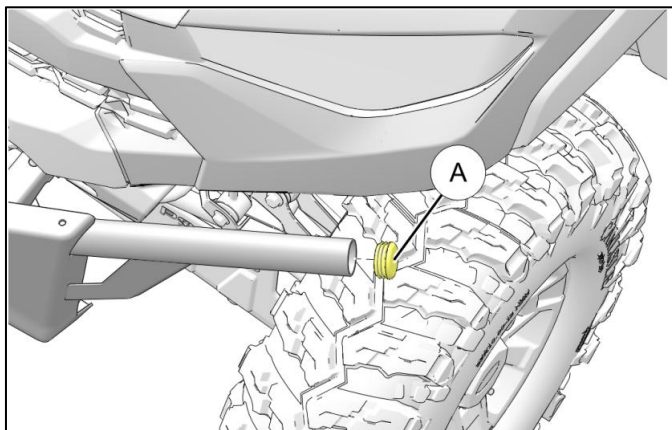
## INSTALLATION EFFECT

The assembly effect is shown in the figure below, approximately 15 minutes.



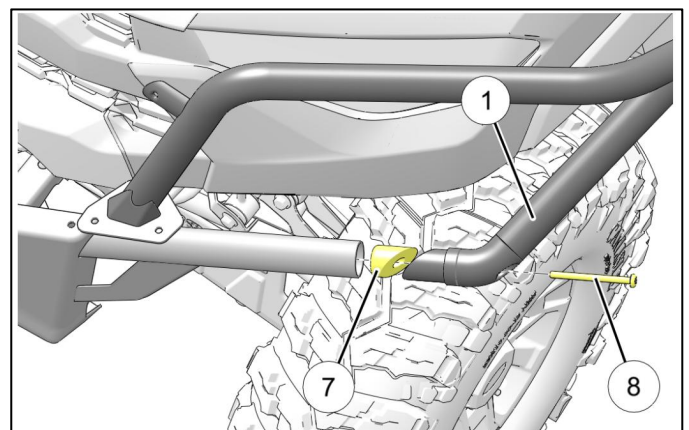
## INSTALLATION INSTRUCTIONS

1. Shift vehicle transmission into "PARK". Turn key to "OFF" position and remove from vehicle.
2. Remove plug (A) from each end of existing front bumper. Plugs will not be reused.



3. Loosely install threaded mount (7) to tapered fitting on LH upper bumper (1) using

screw (8). Screw should engage only a few threads of threaded mount.

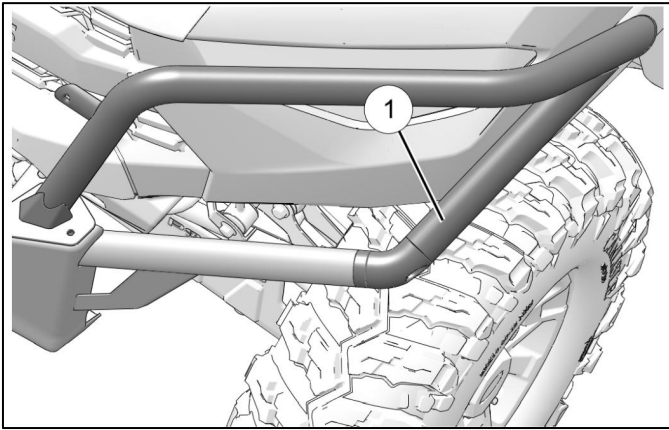


**NOTICE:** Over-tightening screw will prevent new bumper from entering tube opening in existing bumper.

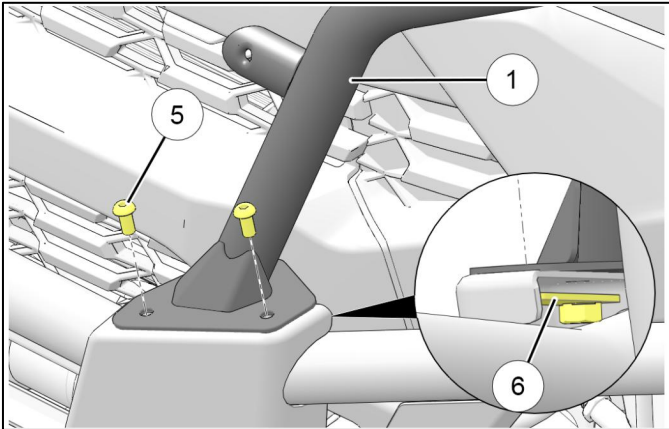
4. Fully insert threaded mount (7) and tapered fitting on LH upper bumper (1) into existing bumper. Do not tighten screw at this time.

# UPPER FRONT BUMPER KIT FOR POLARIS RANGER

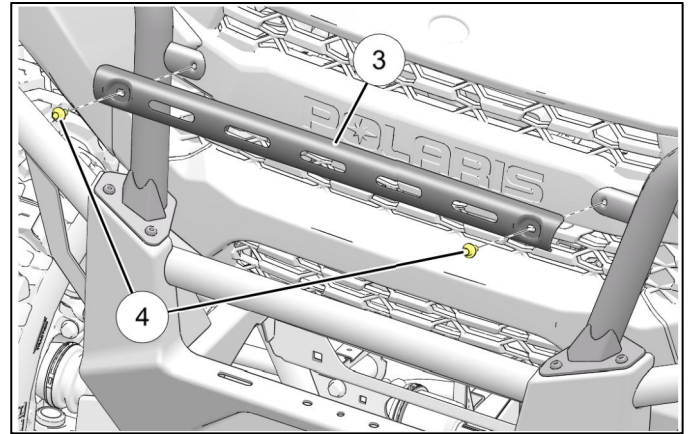
ZP-YJ-030506-005



5. Loosely install LH upper bumper (1) to existing lower bumper using two screws (5) and backing plate (6).



6. Repeat Steps 3–5 for RH upper bumper (2).  
7. Loosely install center brace (3) to LH upper bumper (1) and RH upper bumper (2) using two screws (4).



8. Torque all eight screws to specification.