

REARVIEW MIRROR KIT



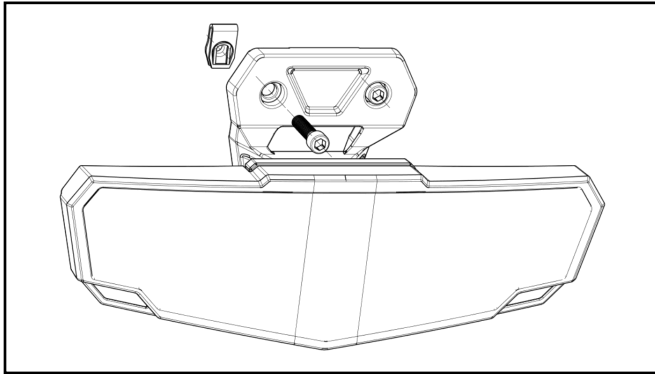
ZP-YJ-030503-002

BEFORE YOU BEGIN

Read these instructions and check to be sure all parts and tools are accounted for. Please retain these installation instructions for future reference and parts ordering information.

KIT CONTENTS

This product includes:



NO.	QTY	PART DESCRIPTION
1	1	Assembly, mirror–Rearview
2	1	Screw, Socket Head , M6 X 1.0 X 15.0
3	1	Nut, M6, U-Type
4	1	Instructions

TOOLS REQUIRED

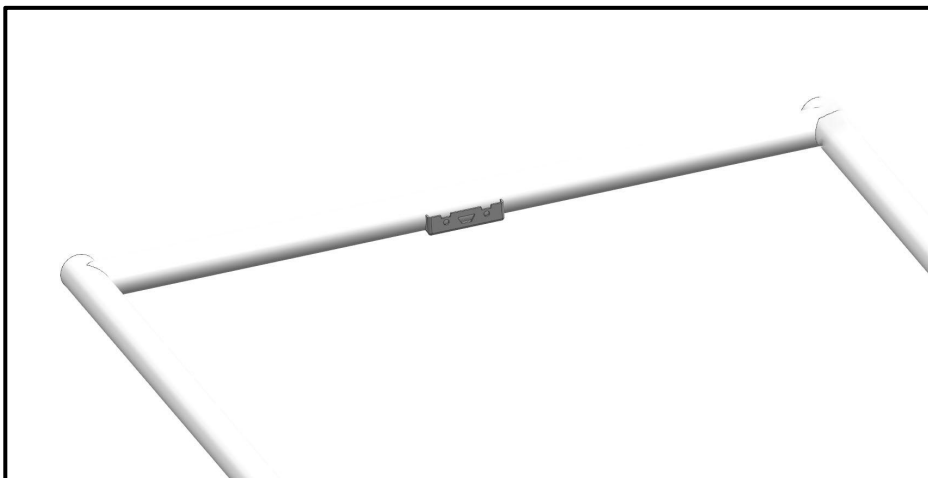
- Safety Glasses
- Hex Key Set, Metric
- Socket Set, Hex Bit, Metric
- Torque Wrench

IMPORTANT

This product is exclusively designed for your vehicle. Please read the installation instructions thoroughly before beginning. Installation is easier if the vehicle is clean and free of debris. For your safety, and to ensure satisfactory installation, perform all installation steps correctly in the sequence shown.

INSTALLATION INSTRUCTIONS

1. Shift vehicle transmission into PARK. Turn key to OFF position and remove from vehicle.
2. Identify mirror bracket on ROPS cross bar.



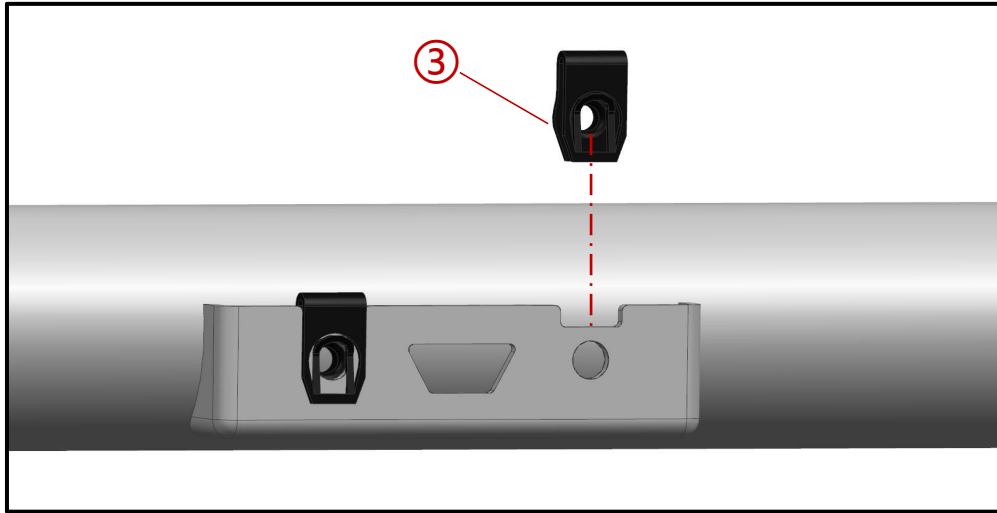
REARVIEW MIRROR KIT

ZP-YJ-030503-002



INSTALLATION INSTRUCTIONS

3. Snap two U-clips ③ onto bracket.



4. Align rearview mirror mount ① with U-clips ③ and install with two screws ②.

