

## BEFORE YOU BEGIN

Read these instructions and check to be sure all parts and tools are accounted for. Please retain these installation instructions for future reference.

### IMPORTANT

This FRONT AND REAR COMBINATION FENDER FLARES KIT is exclusively designed for your vehicle. Please read the installation instructions thoroughly before beginning. Installation is easier if the vehicle is clean and free of debris.

## INSTALLATION INSTRUCTIONS

### Front Fender Flares

1. Shift vehicle transmission into "PARK". Turn key to "OFF" position and remove from vehicle.
2. Product and accessories.



3. The split fender flares need to be assembled before installation.



4. There are 8 positioning points on the flying wing decorative panels on both sides of the front of the original vehicle. Use a 3mm drill to drill out screw holes, and then install the assembled fender flares on the original vehicle with screws.



## Front & Rear

### Combination Fender Flares For Can-Am Maverick X3

ZP-YJ-030610-014

SAUTV5®



5. There is a fixed point at the rear of the fender flare, but since the original vehicle has no positioning point here, it is necessary to drill holes with a drill (3mm) according to the screw holes on the fender flare, and then fix it with screws.

(The other side of the fender flare can be completed according to the above steps)



6. Installation completed.



## Rear Fender Flares

1. Assemble the two parts of the fender flare by 5x16 screws.



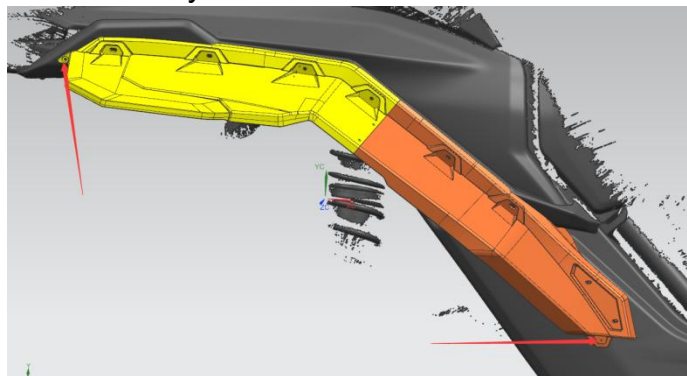
2. Fix the two parts of the fender flare by M6x16 screws as picture.



3. Install the fender flare on the vehicle by 5X30 self-tapping screws and flat washers.



4. Attach the two ends (as the arrows show) to the vehicle by M5X20 screws and M5 nuts.



5. Repeat above step 1-4 to install the other rear fender flare on the other side of the vehicle.

6. Installation completed.