

# Pivoting Mirrors Kit For Can-Am Ski-Doo

SAUTV5

ZP-YJ-030605-011

## BEFORE YOU BEGIN

Read these instructions and check to be sure all parts and tools are accounted. Please retain these installation instructions for future reference.

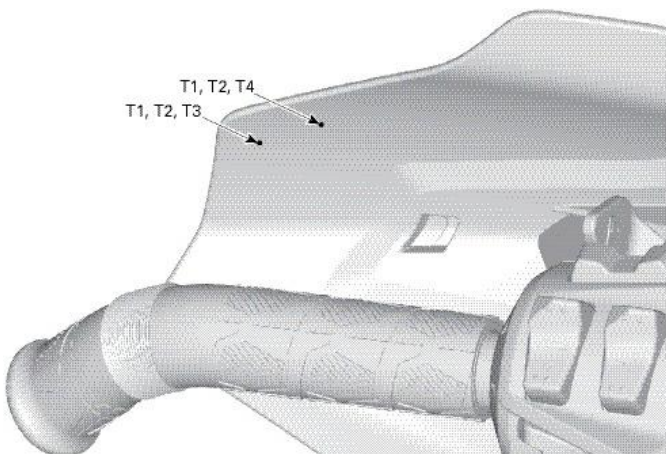
## IMPORTANT

This PIVOTING MIRRORS KIT is exclusively designed for your vehicle. Please read the installation instructions thoroughly before beginning. Installation is easier if the vehicle is clean and free of debris.

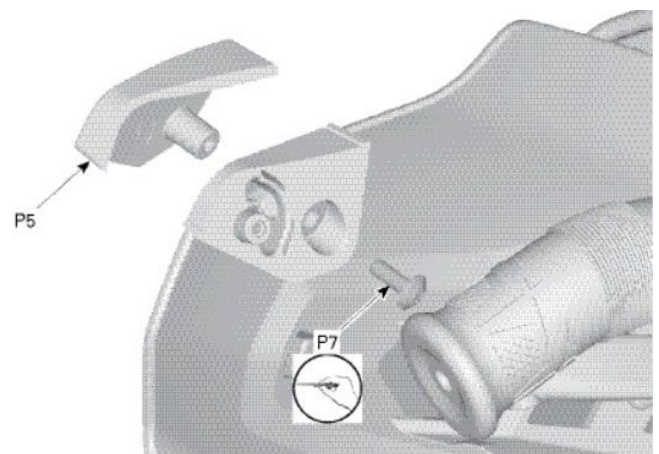


## INSTALLATION INSTRUCTIONS

1. Shift vehicle transmission into "PARK". Turn key to "OFF" position and remove from vehicle.
2. LH side installation shown. Installation is the same for RH side.



**Notice:** Make sure to drill perpendicular to deflector surface and make sure drill bit does not shift during operation.

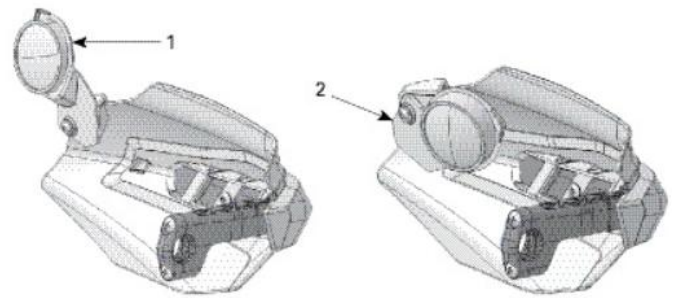
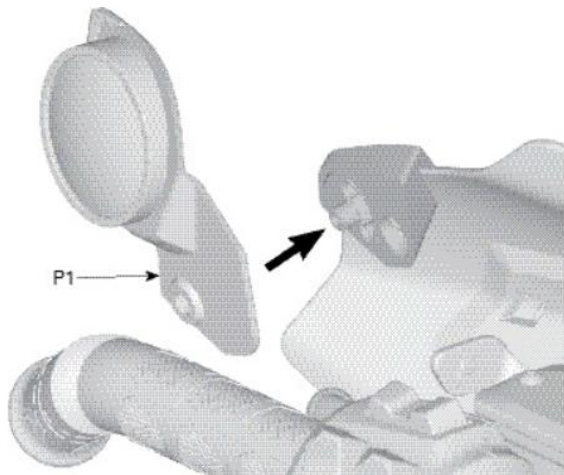


**Notice:** Do not overtighten.

# Pivoting Mirrors Kit For Can-Am Ski-Doo

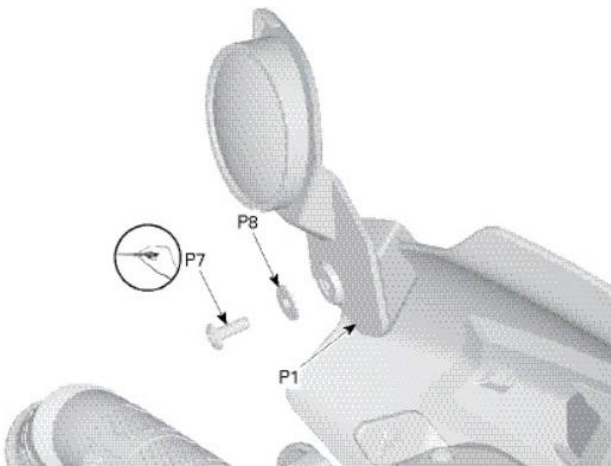
ZP-YJ-030605-011

SAUTV5



1. Mirror in opened position

2. Mirror in closed position



**Notice:** Do not overtighten.