

# Rearview Mirror For Can-Am Trail Commander

ZP-YJ-030505-011

## BEFORE YOU BEGIN

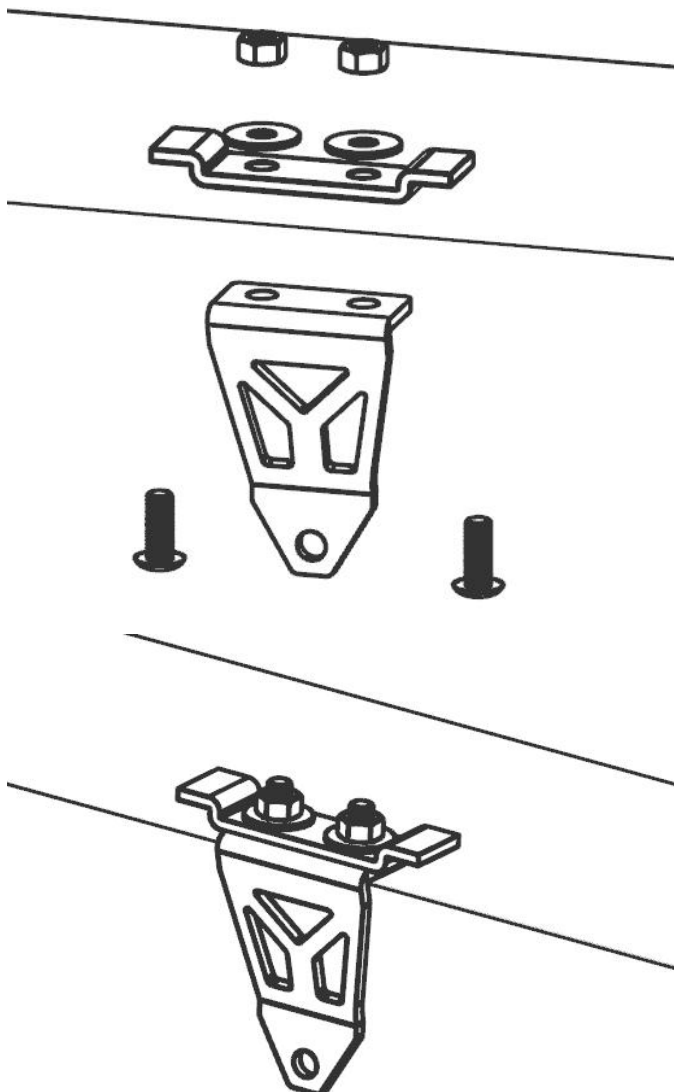
Read these instructions and check to be sure all parts and tools are accounted for. Please retain these installation instructions for future reference.

## IMPORTANT

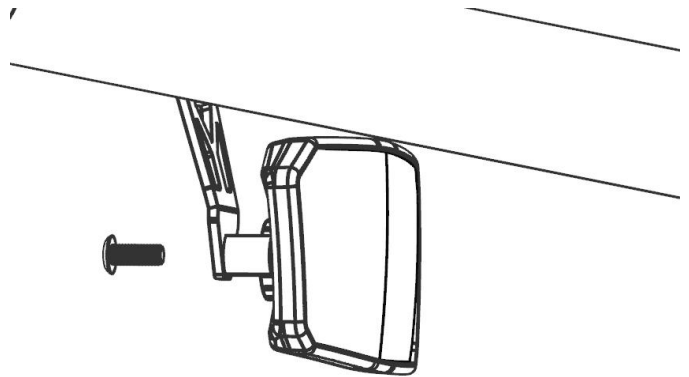
This REARVIEW MIRROR KIT is exclusively designed for your vehicle. Please read the installation instructions thoroughly before beginning. Installation is easier if the vehicle is clean and free of debris.

## INSTALLATION INSTRUCTIONS

1. Shift vehicle transmission into "PARK". Turn key to "OFF" position and remove from vehicle.
2. Install the rearview mirror bracket to the frame.



3. Mount the rearview mirror on the bracket.



4. Installation completed.

