

Aluminum Handguards Kit FOR Can-Am Ryker

ZP-YJ-030603-061



BEFORE YOU BEGIN

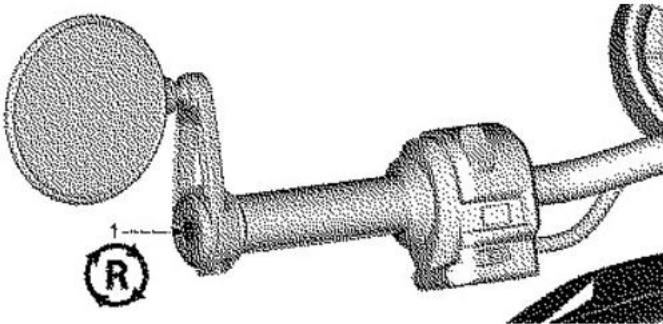
Read these instructions and check to be sure all parts and tools are accounted for. Please retain these installation instructions for future reference.

IMPORTANT

This ALUMINUM HANDGUARDS KIT is exclusively designed for your vehicle. Please read the installation instructions thoroughly before beginning. Installation is easier if the vehicle is clean and free of debris.

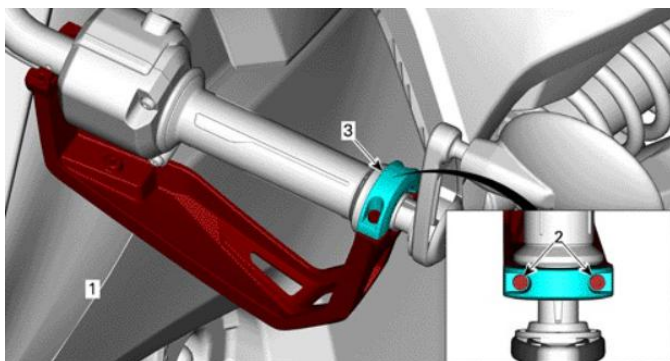
INSTALLATION INSTRUCTIONS

1. Shift vehicle transmission into "PARK". Turn key to "OFF" position and remove from vehicle.
2. Remove and keep the retaining screw and slide laterally the left mirror.

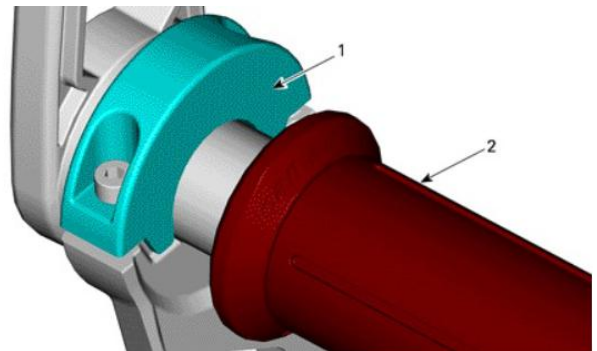


1. Retaining screw

3. Install the LH handguard on the handlebar using one (1) clamp and two (2) M4 x 16 socket head screws. Only engage the first threads to allow the LH handguard to rotate around the handlebar.



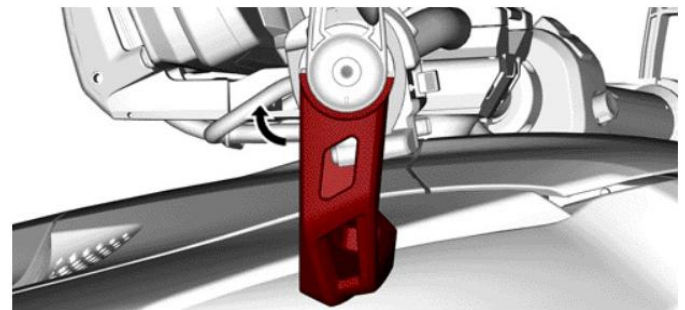
1. LH handguard
2. M4 x 16 socket head screw
3. Clamp



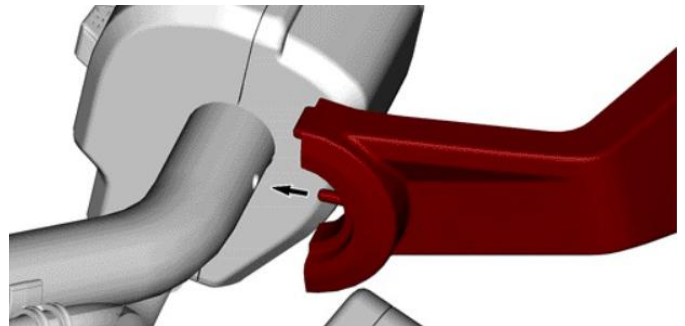
1. Clamp interior face

2. Grip

4. Rotate the LH handguard as illustrated.



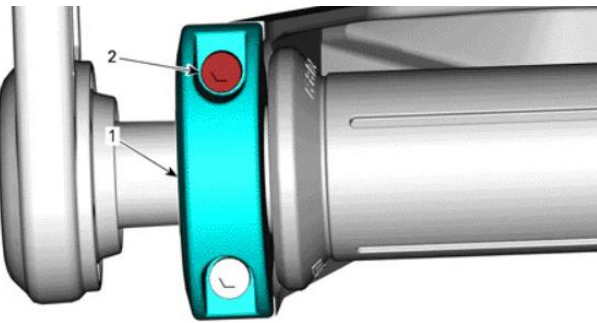
5. Align the handguard by inserting the indicated pin at the interior end in its corresponding mounting hole.



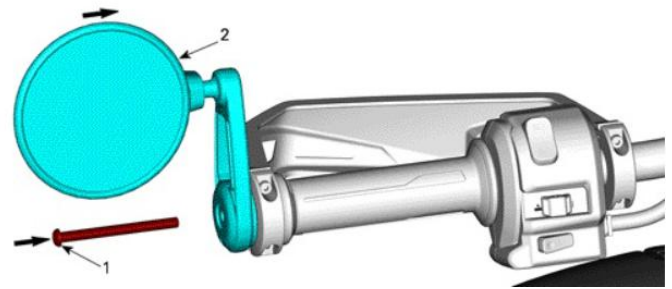
6. Handtighten the indicated M4 x 16 socket head screws. Do not tighten to specification yet.

Aluminum Handguards Kit FOR Can-Am Ryker

ZP-YJ-030603-061



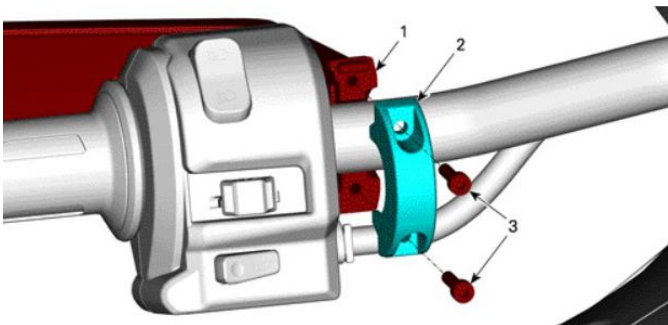
1. Clamp
2. M4 x 16 socket head screw



1. Left mirror support screw
2. Left mirror

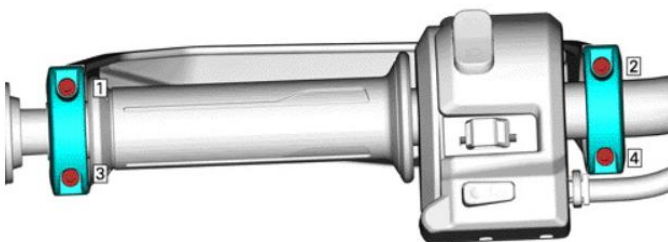
7. Fix the interior end of the LH handguard on the handlebar using two (2) M4 x 16 socket head screws and one (1) clamp. Do not tighten yet.

10. Repeat procedure on the right side of the vehicle using the RH handguard.



1. LH handguard
2. Clamp
3. M4 x 16 socket head screw

8. Tighten to specification the M4 x 16 socket head screws using the following tightening sequence.



TIGHTENING SEQUENCE

9. Slide the left mirror back in place and secure it with the previously removed left mirror support screw. Tighten to specification.