

Sport Hard Roof FOR Can-Am Maverick X3 MAX

ZP-YJ-030607-005



BEFORE YOU BEGIN

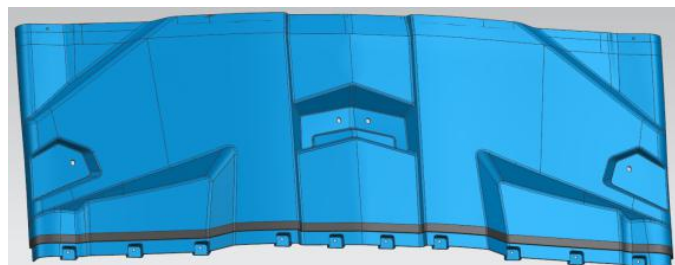
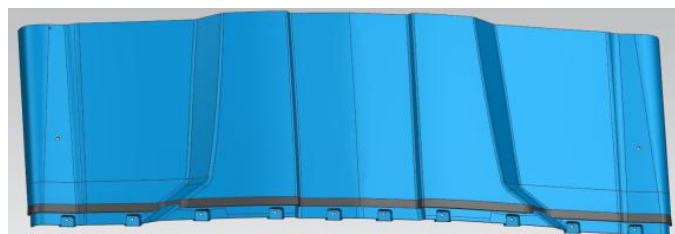
Read these instructions and check to be sure all parts and tools are accounted for. Please retain these installation instructions for future reference.

IMPORTANT

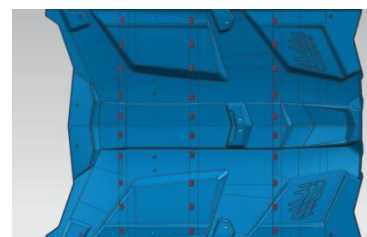
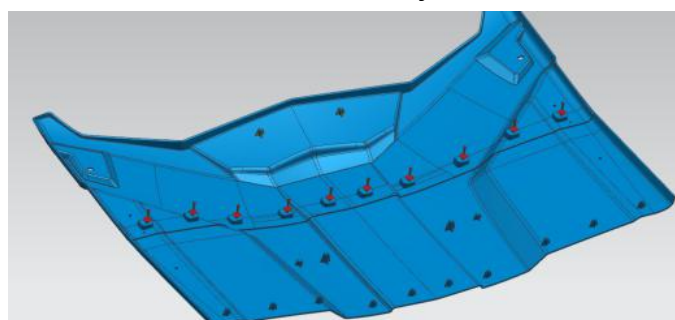
This SPORT HARD ROOF is exclusively designed for your vehicle. Please read the installation instructions thoroughly before beginning. Installation is easier if the vehicle is clean and free of debris.

INSTALLATION INSTRUCTIONS

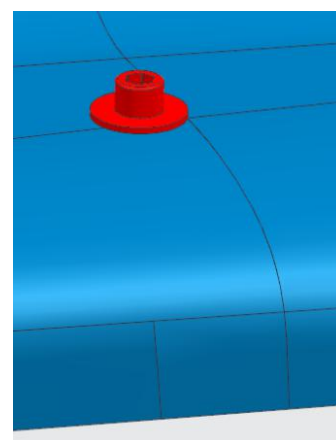
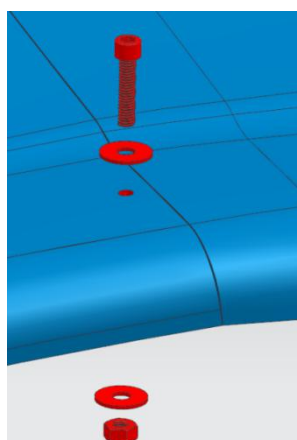
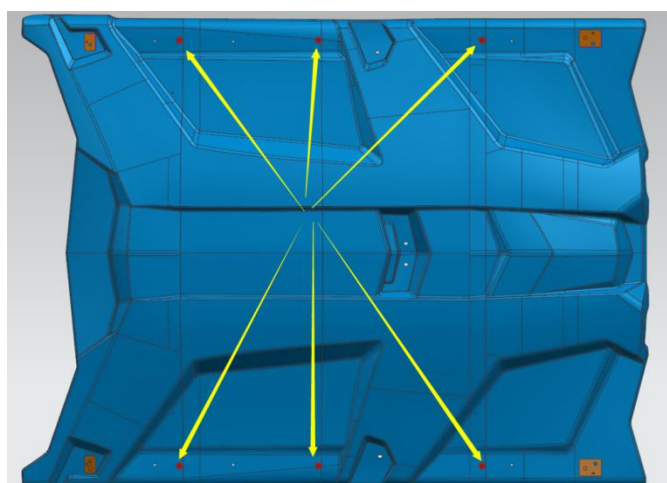
1. Shift vehicle transmission into "PARK". Turn key to "OFF" position and remove from vehicle.
2. Apply the single-sided adhesive seal to the roof. Align the seal seams, don't leave gaps.



3. Use 6mm flat pad with 6x16 self-tapping screws to connect the two adjacent roofs.



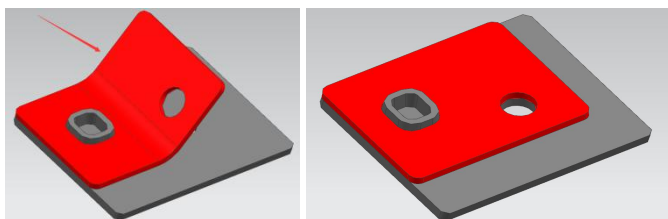
4. Use M5X16 screws, spacers and nuts to connect the two adjacent pieces of roof in the order shown.



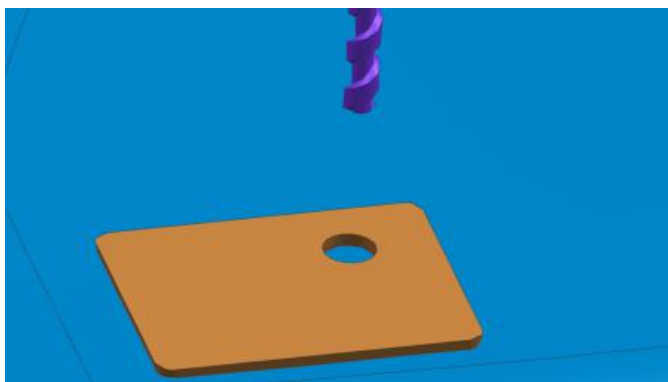
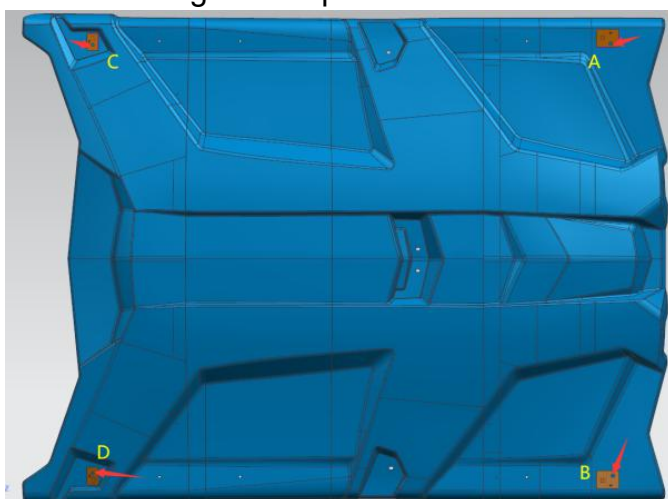
5. Stick the gasket with adhesive on both sides to the gasket plate. Keep the location clean before sticking.

Sport Hard Roof FOR Can-Am Maverick X3 MAX

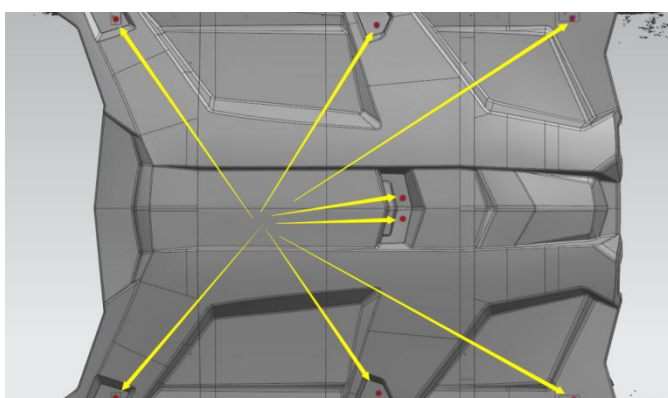
ZP-YJ-030607-005



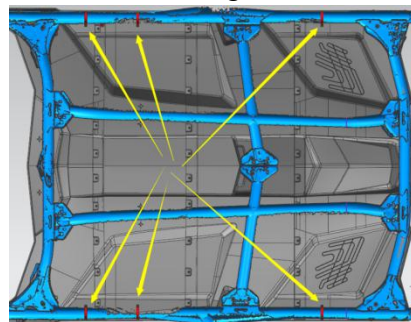
6. Put the spacers with double-sided tape in step 5 on the corresponding position on the roof of the car, and stick them in the order of ABCD. Keep the location clean before applying. Then use a 6.5mm drill bit to drill holes in the roof according to the spacers.



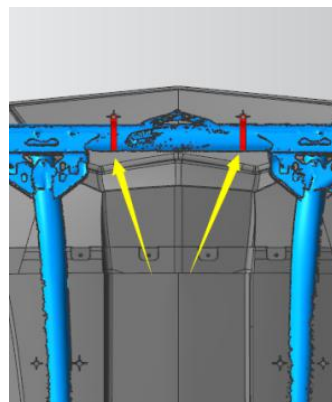
7. Use M6X20 screws to mount the assembled roof on the frame. Don't tighten the nuts first.



8. Attach the clamp to the frame with M6X25 screws. Don't tighten the nut first.



9. Use self-tapping screws 6x16 to mount the clamp on the frame, the screws are not tightened first.



10. Attach the jockey clamp to the frame with 6x16 self-tapping screws. Also tighten all the screws in step 7, step 8 and step 9.

