

Handguard Lighting FOR Can-Am Ryker

ZP-YJ-030602-015



BEFORE YOU BEGIN

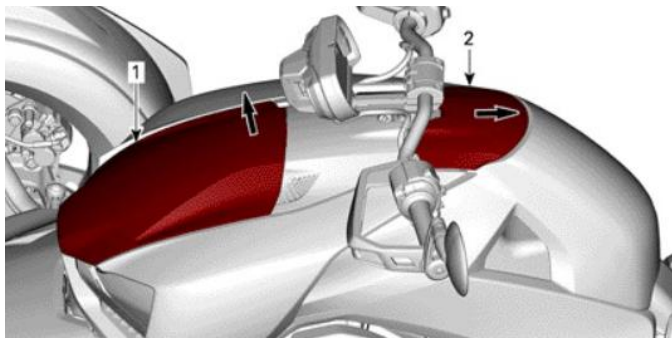
Read these instructions and check to be sure all parts and tools are accounted for. Please retain these installation instructions for future reference.

IMPORTANT

This HANDGUARD LIGHTING is exclusively designed for your vehicle. Please read the installation instructions thoroughly before beginning. Installation is easier if the vehicle is clean and free of debris.

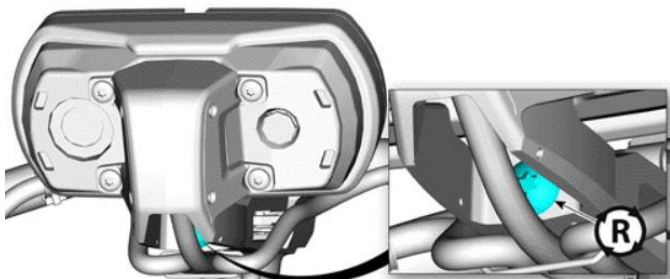
INSTALLATION INSTRUCTIONS

1. Shift vehicle transmission into "PARK". Turn key to "OFF" position and remove from vehicle.
2. Open the glove box cover and the fuel filler door.

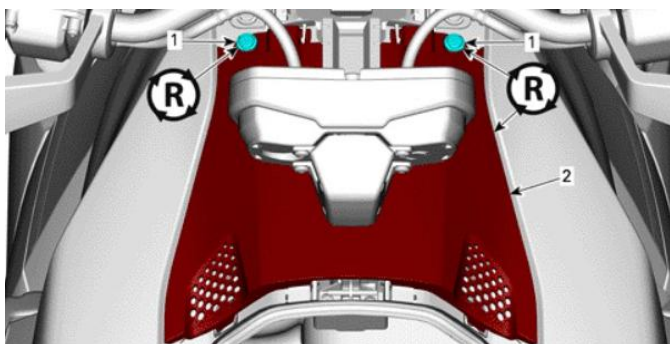


1. Glove box cover
2. Fuel filler door

3. Remove and keep the cluster support screw.



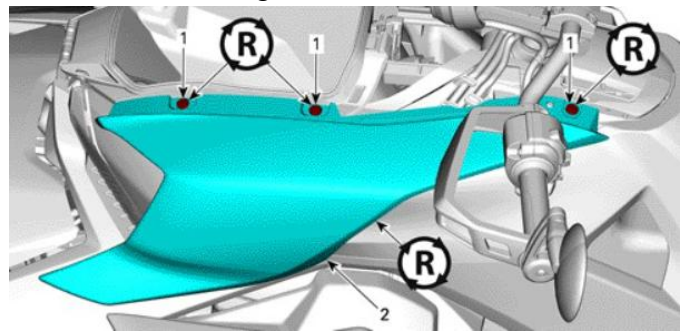
4. Remove and keep the two (2) plastic rivets. Remove and keep the upper fairing.



1. Plastic rivet
2. Upper fairing

5. On the left side only, remove and keep the three (3) plastic rivets.

On the left side only, remove and keep the vehicle side fairing.

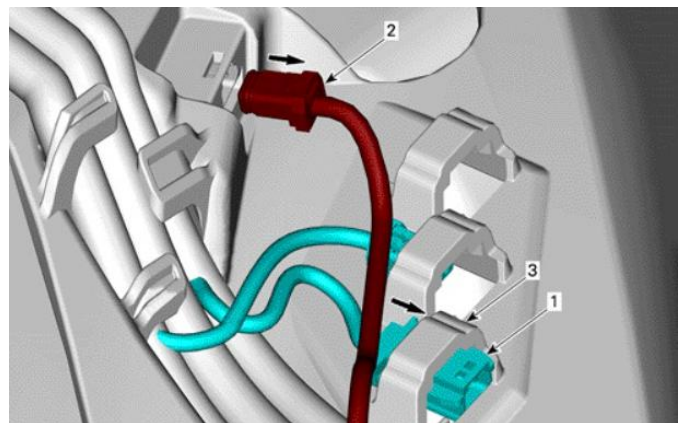


1. Plastic rivet
2. Side fairing

6. Place the light assembly [P1] female connector into the housing on the body. Connect the accessory connector to the light assembly [P1] female connector.

NOTE: If another kit is already connected to the accessory connector, use the kit accessory connector.

7. Connect the light assembly [P1] male connector into the accessory housing.

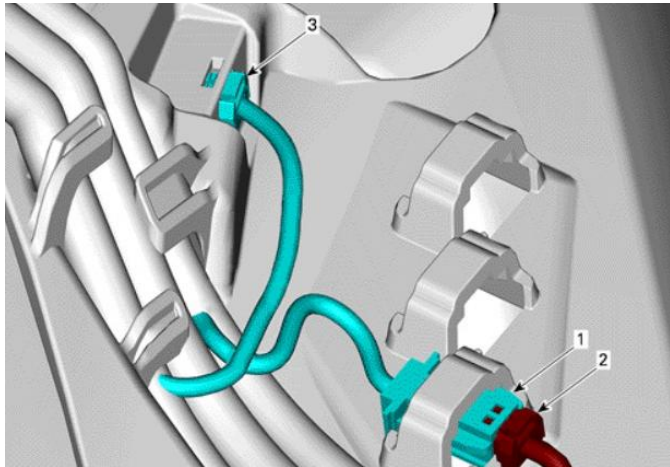


Handguard Lighting FOR Can-Am Ryker

ZP-YJ-030602-015

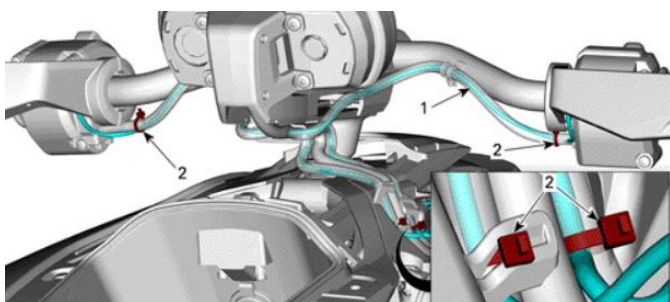


1. Light assembly [P1] female connector
2. Accessory connector
3. Housing



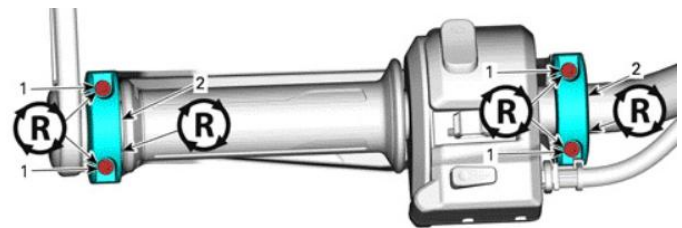
1. Light assembly [P1] female connector
2. Accessory connector
3. Light assembly [P1] male connector

8. Route the light assembly [P1] harness inside the cable housing going to the left and right commands. Secure the light assembly [P1] harness using four (4) locking ties [P7] if necessary.



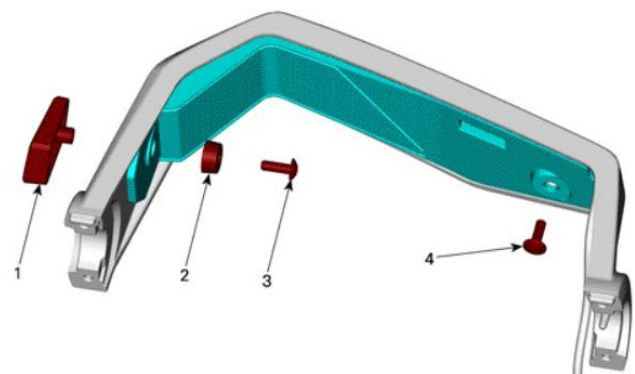
1. Light assembly [P1] harness
2. Locking tie [P7]

9. If the handguard is already installed on the vehicle, remove it by unscrewing the four (4) indicated bolts and removing the two (2) clamps. Keep the bolts and clamps for the reinstallation procedure.



1. Screw to remove and keep
2. Clamp to remove and keep

10. Install the LH light from the light assembly [P1] inside the handguard, then secure it with the LH side cap [P2], one (1) spacer [P6], one (1) K40 x 12 Torx truss screw [P4] and one (1) M4 x 12 Torx truss screw [P5]. Hand tighten the K40 x 12 Torx truss screw [P4] and tighten to specification the M4 x 12 Torx truss screw [P5].

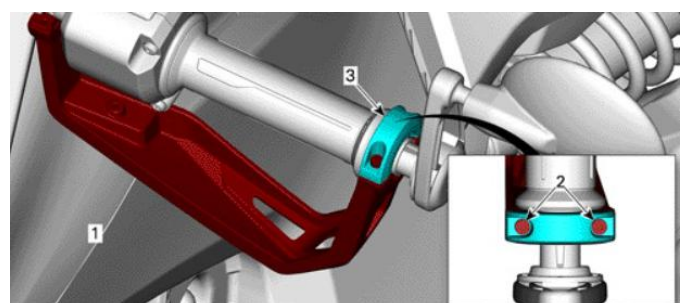


1. LH side cap [P2]
2. Spacer [P6]
3. K40 x 12 Torx truss screw [P4]
4. M4 x 12 Torx truss screw [P5]

Install the handguard as follows.

1. Install the LH handguard on the handlebar using one (1) clamp and two (2) M4 x 16 socket head screws. Only engage the first threads to allow the LH handguard to rotate around the handlebar.

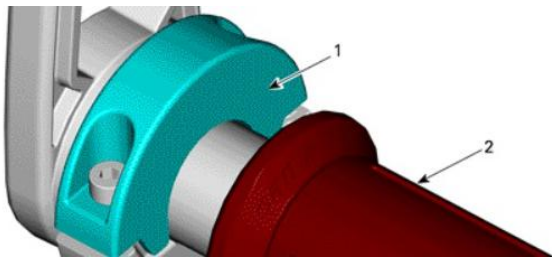
NOTE: Make sure that the clamp has the same configuration as illustrated below.



1. LH handguard
2. M4 x 16 socket head screw
3. Clamp

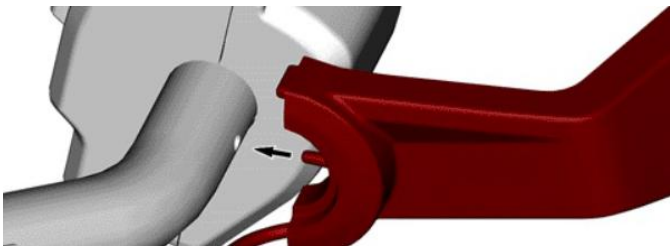
Handguard Lighting FOR Can-Am Ryker

ZP-YJ-030602-015

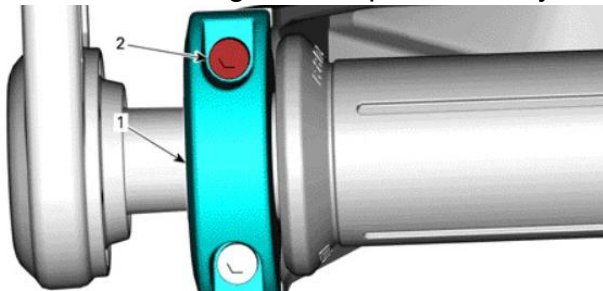


1. Clamp interior face. 2. Grip

2. Align the handguard by inserting the indicated pin at the interior in its corresponding mounting hole.

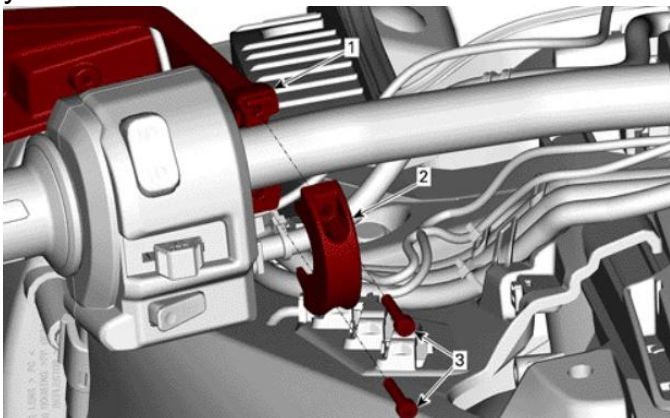


3. Handtighten the indicated M4 x 16 socket head screw. Do not tighten to specification yet.



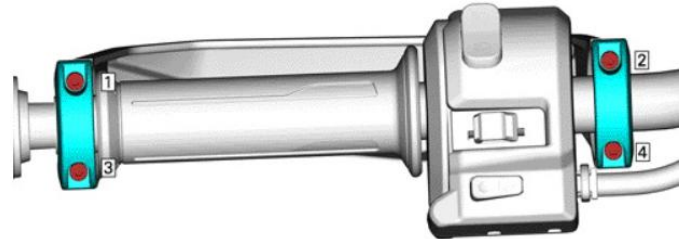
1. Previously removed clamp
2. Previously removed M4 x 16 socket head screw

4. Fix the interior end of the handguard on the handlebar using two (2) of the previously removed screws and one (1) of the previously removed clamp. Do not tighten to specification yet.



1. Interior end of the handguard 2. Previously removed clamp
3. Previously removed screw

5. Tighten to specification the M4 x 16 socket head screw using the following tightening sequence.



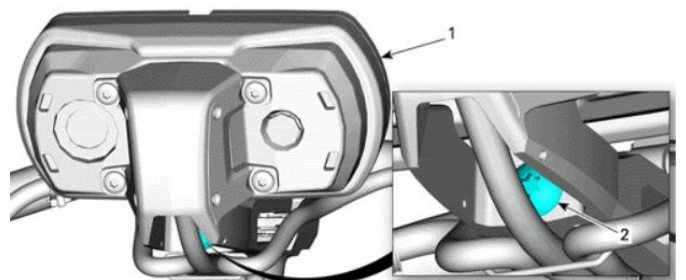
TIGHTENING SEQUENCE

6. Repeat procedure on the right side of the vehicle to install the RH light.

Reinstall the LH side fairing. The installation is the reverse of the removal procedure.

Reinstall the upper fairing. The installation is the reverse of the removal procedure.

Fix the cluster with the previously removed cluster support screw. Tighten to specification.



1. Cluster 2. Cluster support screw

7. Close the glove box cover and the fuel filler door.