

Saddlebag Rack Kit For Can-Am Ryker Models



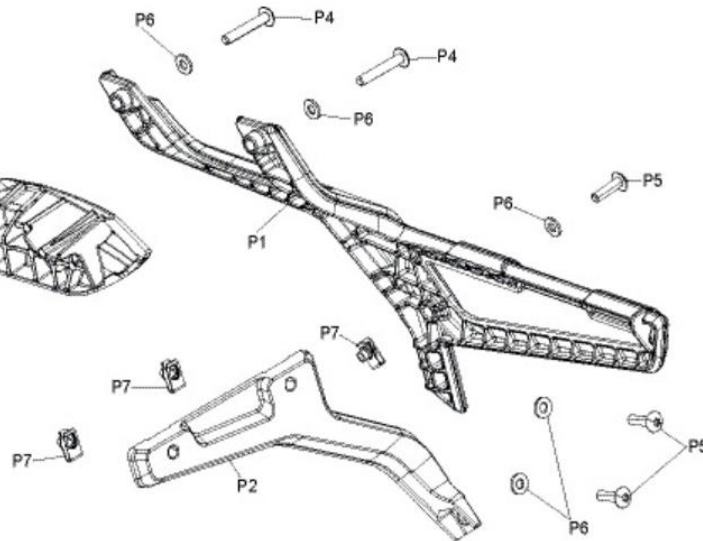
ZP-YJ-030603-084

BEFORE YOU BEGIN

Read these instructions and check to be sure all parts and tools are accounted for. Please retain these installation instructions for future reference.

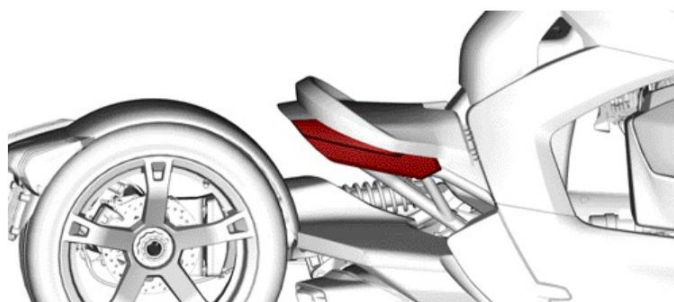
IMPORTANT

This SADDLEBAG RACK KIT is exclusively designed for your vehicle. Please read the installation instructions thoroughly before beginning. Installation is easier if the vehicle is clean and free of debris.

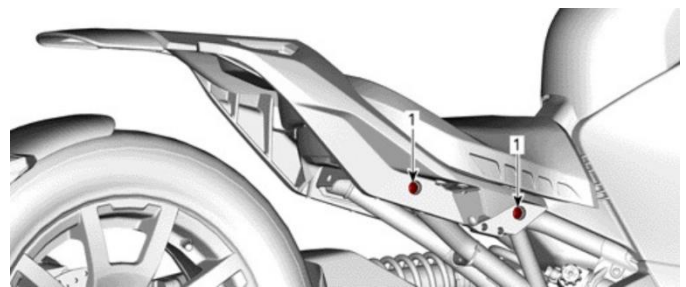


INSTALLATION INSTRUCTIONS

1. Shift vehicle transmission into "PARK". Turn key to "OFF" position and remove from vehicle.
2. Remove the lateral trim by removing the two retaining screws.

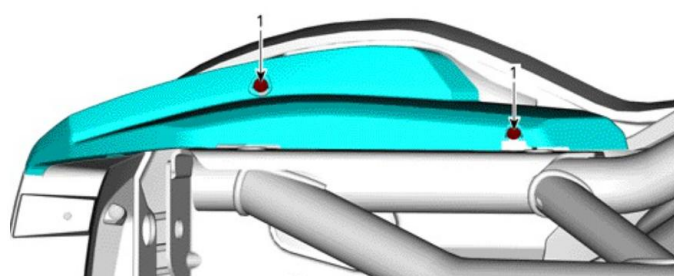


3. Remove the indicated retaining screws.

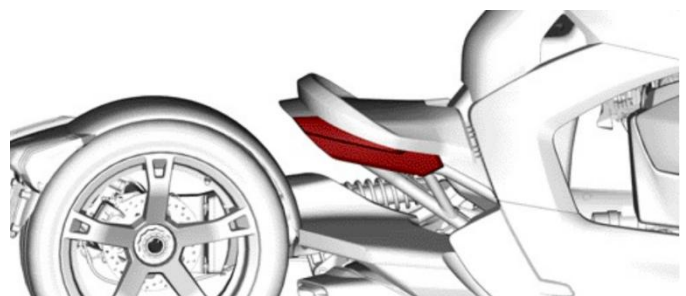


1. Retaining screws

4. Part Installation.

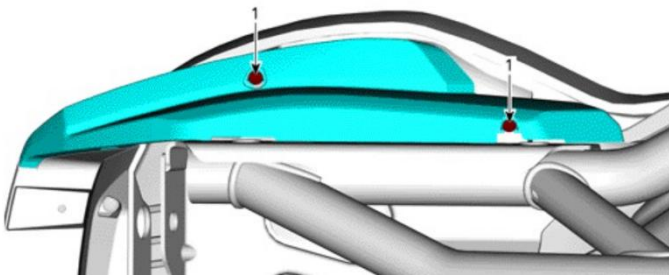


- BOTTOM VIEW
1. Retaining screws



Saddlebag Rack Kit For Can-Am Ryker Models

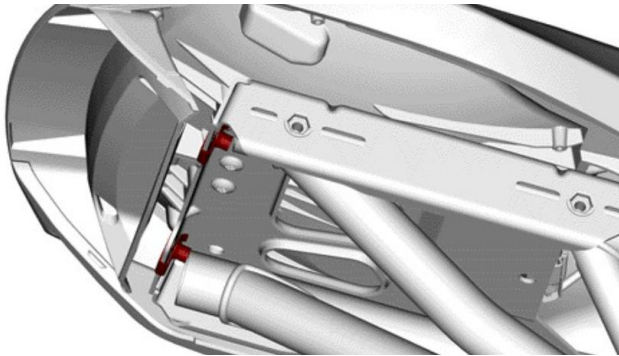
ZP-YJ-030603-084



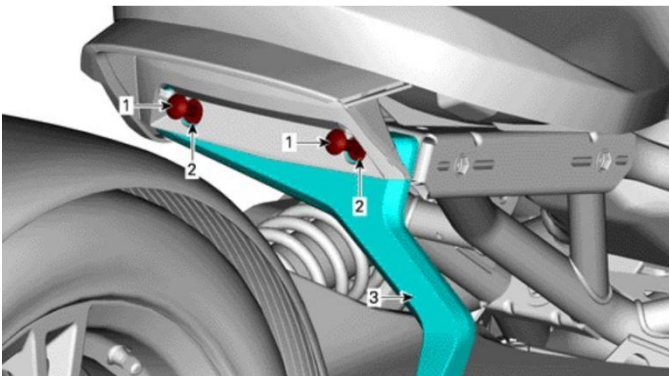
BOTTOM VIEW

1. Retaining screws

5. Install two M8x1.25 panel nuts (P7) on the seat support as shown.

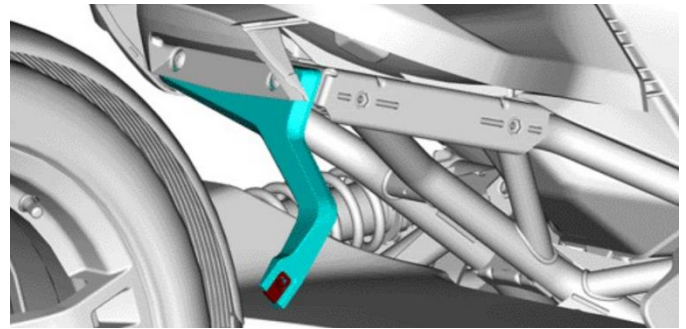


6. Install the support reinforcement (P2) with two M8x30 Torx screws (P5) and two washers (P6). Hand tighten the screws.

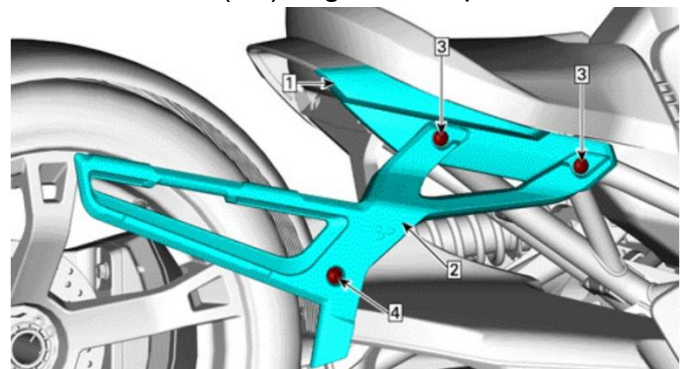


- 1. M8x30 Torx screw (P5)
- 2. Washer (P6)
- 3. Support reinforcement (P2)

7. Install a M8x1.25 panel nut (P7) on the support reinforcement (P2).



8. Position the support spacer (P3) and the lateral support (P1) and fix it with two M8x50 Torx screws (P4), a M8x30 Torx screw (P5) and three washers (P6). Tighten to specification.



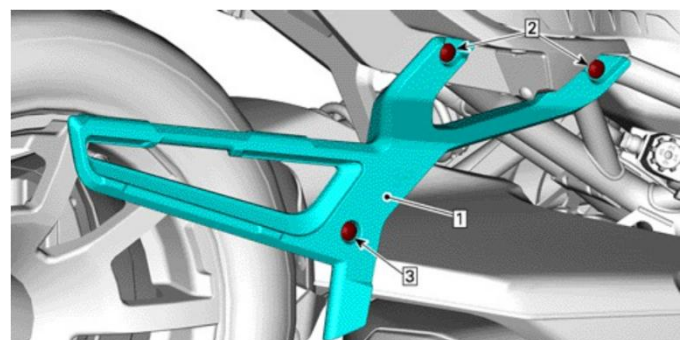
Step 1.: Position the support spacer (P3)

Step 2.: Position the lateral support (P1)

Step 3.: Place a washer [P6] and tighten M8x50 Torx screw (P4)

Step 4.: Place a washer [P6] and tighten M8x30 Torx screw (P5)

9. Position the lateral support (P1) and fix it with two M8x50 Torx screws (P4), a M8x30 Torx screw (P5) and three washers (P6). Tighten to specification.



Step 1.: Position the lateral support (P1)

Step 2.: Place a washer [P6] and tighten M8x50 Torx screw (P4)

Step 3.: Place a washer [P6] and tighten M8x30 Torx screw (P5)

10. Tighten the two M8x30 Torx screws (P5) holding the support reinforcement (P2) installed in step 6 to specification.