

# Front Wider Fender Flares Kit For Can-Am X3

ZP-YJ-030610-004



## BEFORE YOU BEGIN

Read these instructions and check to be sure all parts and tools are accounted for. Please retain these installation instructions for future reference.

## IMPORTANT

This FRONT WIDER FENDER FLARES KIT is exclusively designed for your vehicle. Please read the installation instructions thoroughly before beginning. Installation is easier if the vehicle is clean and free of debris.

## INSTALLATION INSTRUCTIONS

1. Shift vehicle transmission into "PARK". Turn key to "OFF" position and remove from vehicle.
2. As shown in the diagram, use the drill bit to drill holes according to the positioning points on the body.

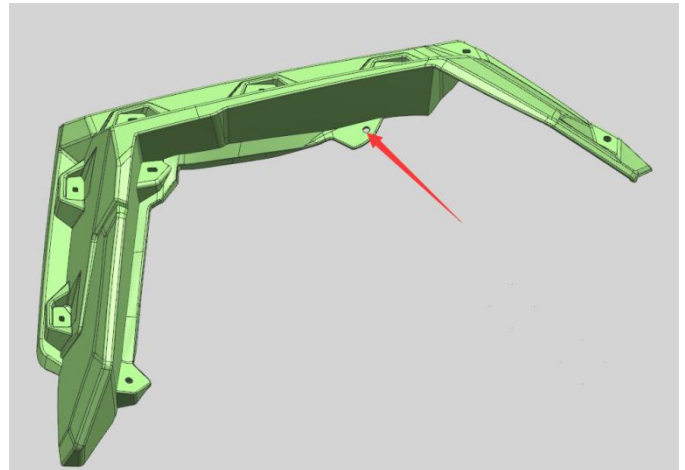
**(Note: Drill diameter 3.3mm.)**



3. Remove the screws from the original car and spare.



4. Install the screws removed in step 3 through the holes indicated by the arrows on the widened front fender flare.



5. Tighten the rest of the holes on the fender flare with self-tapping screws.



# Front Wider Fender Flares Kit For Can-Am X3

ZP-YJ-030610-004



6. Repeat steps 2~5 for the other side.



Installation completed.