

Installation Tips

BEFORE YOU BEGIN

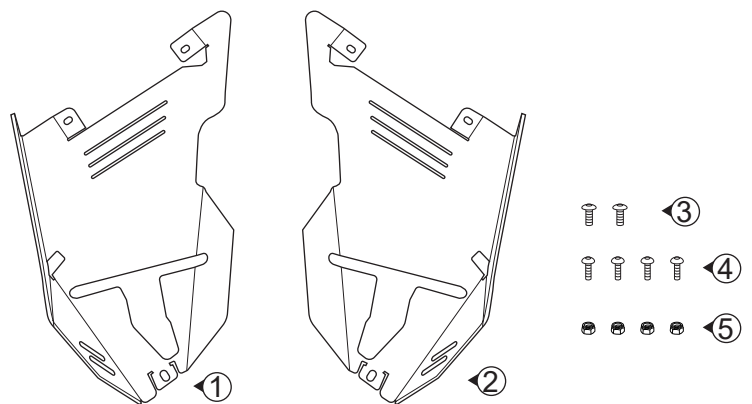
1. Read these instructions and check to be sure all parts and tools are accounted for.
2. Please retain these installation instructions for future reference and parts ordering information.

IMPORTANT

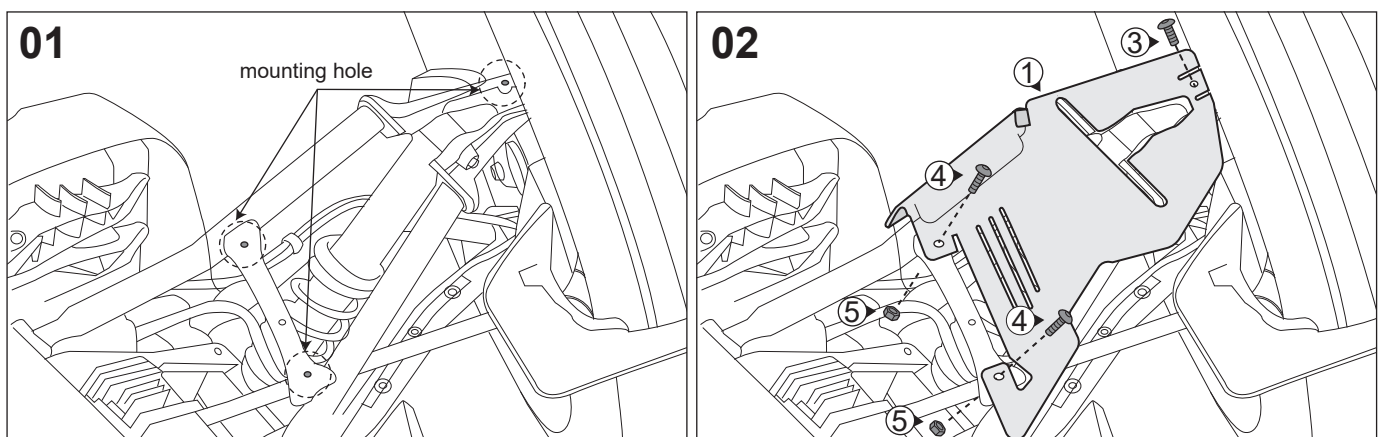
1. Please read the installation instructions carefully before you start.
2. If the vehicle is clean and free of other debris, it will be easy to install.
3. For your safety and to ensure a satisfactory installation, please complete all the installation steps in the order shown below.

PRODUCT INFORMATION:

- | | |
|-------------------|----|
| 1. LH Guard Plate | x1 |
| 2. RH Guard Plate | x1 |
| 3. M6 x 12 Screw | x2 |
| 4. M5 x 12 Screw | x4 |
| 5. M5 Nut | x4 |



INSTALLATION TIPS:



1. Locate the mounting holes beneath the A-arm.
2. Install LH guard plate [1] with one M6 screw [3], two M5 screws [4] and two M5 nuts [5].
3. Repeat step 1-2 for RH guard plate [2] installation.