

# DOOR PANELS FOR CAN-AM MAVERICK X3

ZP-YJ-030603-017



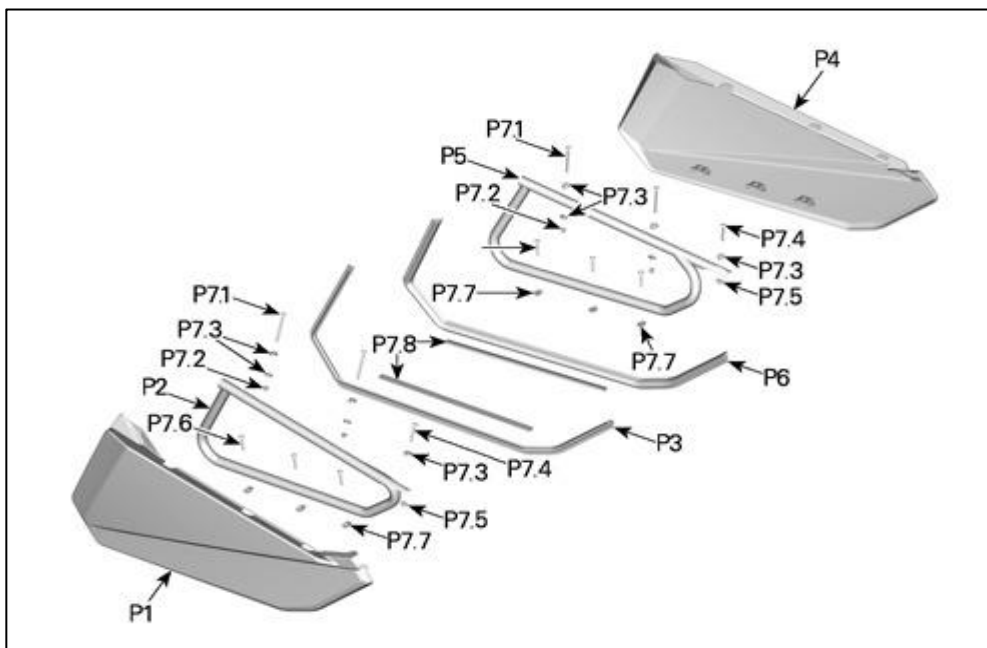
## BEFORE YOU BEGIN

Read these instructions and check to be sure all parts and tools are accounted for. Please retain these installation instructions for future reference.

## IMPORTANT

This DOOR PANELS KIT is exclusively designed for your vehicle. Please read the installation instructions thoroughly before beginning. Installation is easier if the vehicle is clean and free of debris.

The installation guide video is available in the listing, please refer to it before you installation.

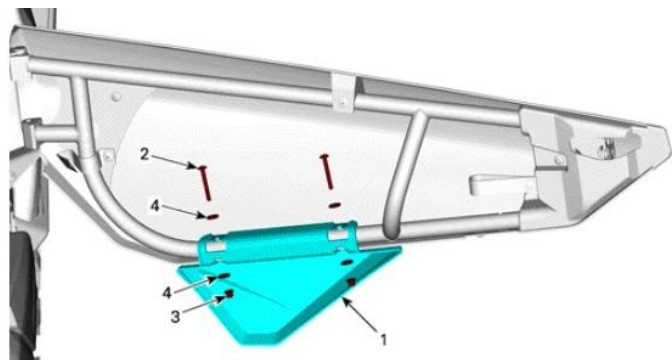


## INSTALLATION INSTRUCTIONS

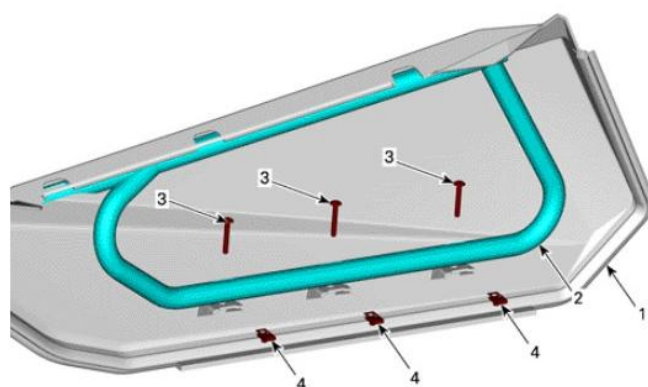
1. Shift vehicle transmission into "PARK". Turn key to "OFF" position and remove from vehicle.  
2. Remove and discard the two (2) screws, two (2) nuts and four (4) washers fixing the left lower door cover in order to remove it.

4. Washer

3. Fix the LH door support [P2] to LH door panel [P1] using three (3) M6 x 40 hexagonal screws and three (3) panel nuts. Hand tighten.



- 1. LH Lower Door Cover
- 2. Screw
- 3. Nut



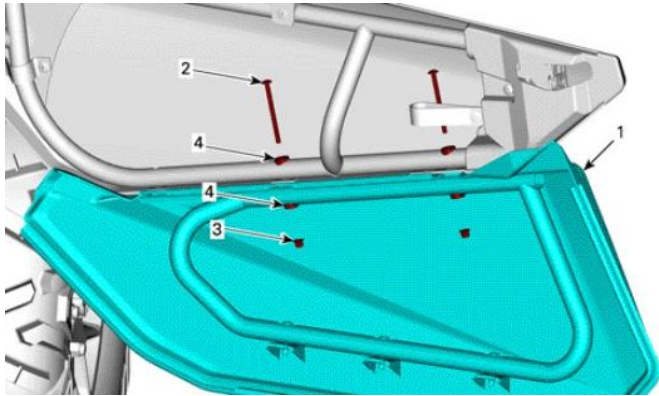
- 1. LH Door Panel [P1]
- 2. LH Door Support [P2]
- 3. Hexagonal Screws
- 4. Panel Nuts

# DOOR PANELS FOR CAN-AM MAVERICK X3

ZP-YJ-030603-017

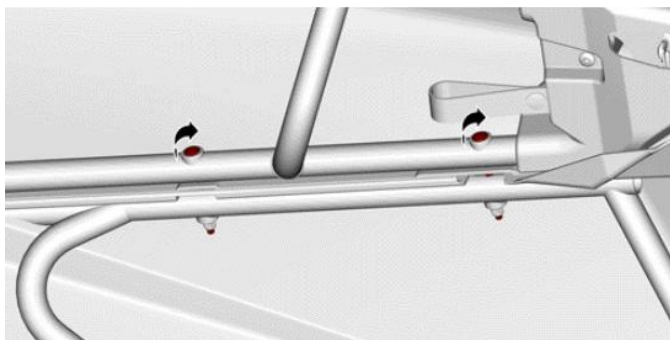


4. Fix the LH door assembly to the door of the vehicle by using two (2) M6 x 80 hexagonal screws, two (2) M6 elastic nuts and four (4) support washers. Hand tighten.

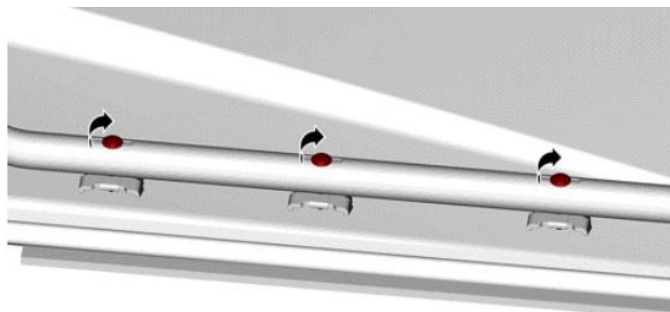


- 1. LH Door Assembly
- 2. Hexagonal Screws
- 3. Elastic Nuts
- 4. Support Washers

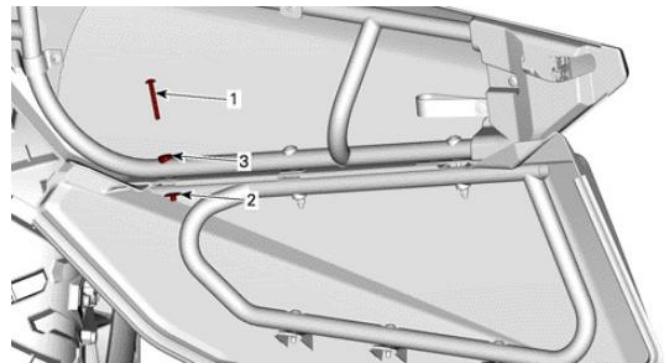
5. Close the door and center the LH door panel [P1] in the opening to have a good sealing all around, then tighten screws.



6. Tighten screws.

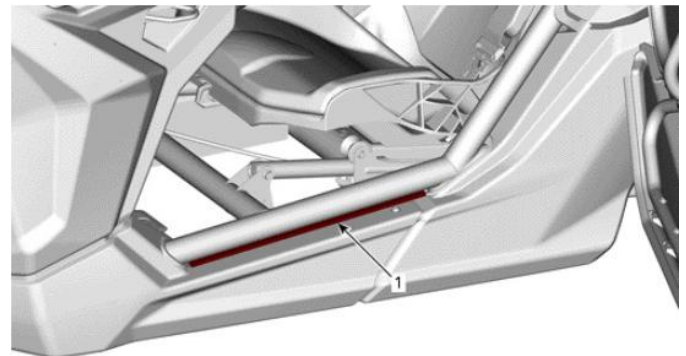


7. Add one (1) Hexagonal screw M6 x 50, one (1) Weld nut M6 and one (1) Support washer to the assembly and tighten them.



- 1. Hexagonal Screw
- 2. Weld Nut
- 3. Support Washer

8. Add a neoprene seal between the body and the frame of the vehicle.



- 1. Neoprene seal