

Rear Luggage Rack For Can-Am Renegade 800

ZP-YJ-030603-113

BEFORE YOU BEGIN

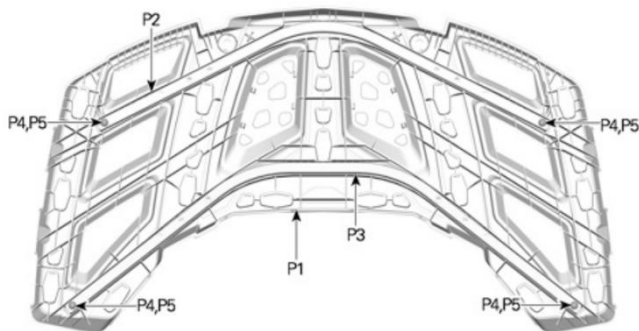
Read these instructions and check to be sure all parts and tools are accounted for. Please retain these installation instructions for future reference.

IMPORTANT

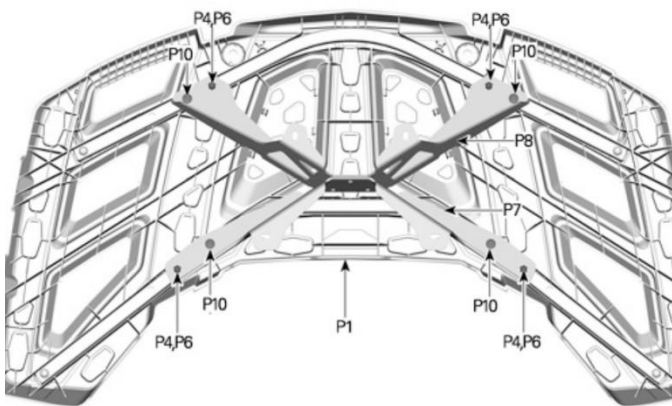
This REAR LUGGAGE RACK KIT is exclusively designed for your vehicle. Please read the installation instructions thoroughly before beginning. Installation is easier if the vehicle is clean and free of debris.

INSTALLATION INSTRUCTIONS

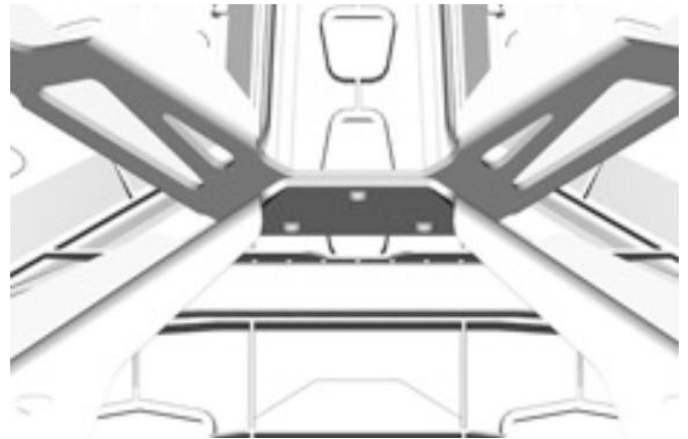
1. Shift vehicle transmission into "PARK". Turn key to "OFF" position and remove from vehicle.
2. Install both luggage rack tubes [P2] and [P3] onto the luggage rack [P1] using M6 X 35 Torx screw [P4] and M6 flange elastic nut [P5].



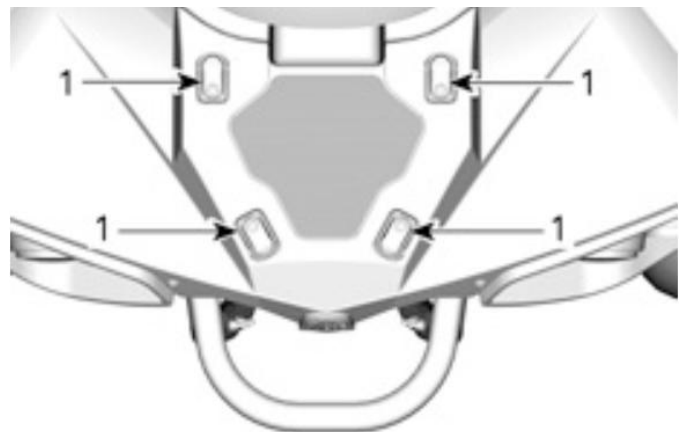
3. Install both front support [P7] and rear support [P8] onto the luggage tubes and luggage rack using M6 X 16 Torx screws [P10], M6 X 35 Torx screw [P4] and M6 elastic nut [P6].



4. Make sure the 2 supports have no gap between each other before applying torque.



5. Remove the anchoring hooks from the cargo area.

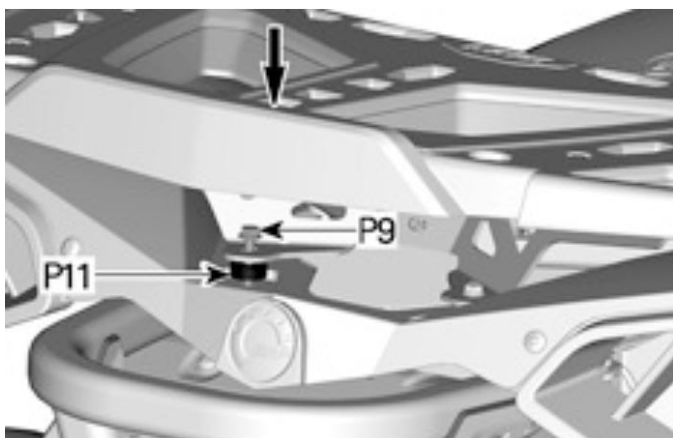


1. Anchoring hook

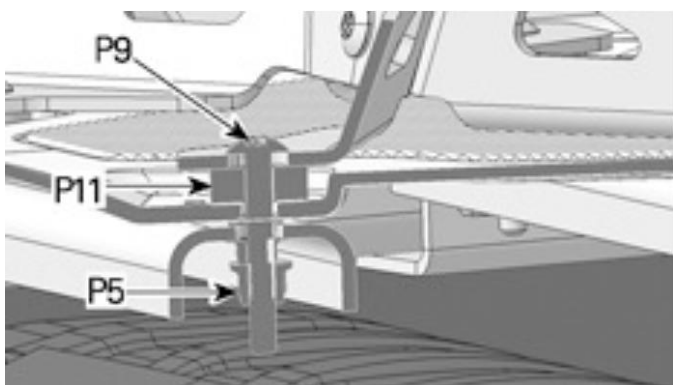
Rear Luggage Rack For Can-Am Renegade 800

ZP-YJ-030603-113

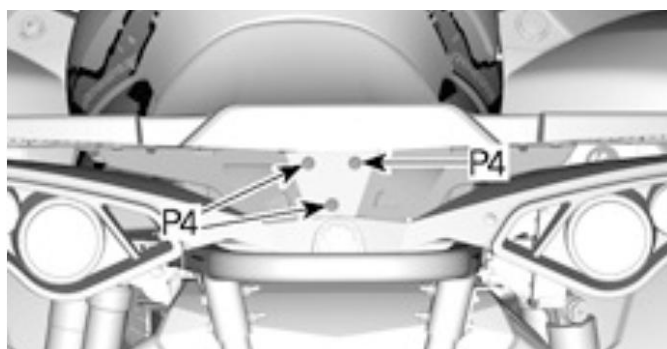
6. Install luggage onto vehicle and secure in place using M6 X 45 flange hexagonal screws [P9] with spacers [P11].



7. Use M6 flange elastic nut [P5] to lock the riveted inserts.



8. Secure the front and rear supports together using M6 X 16 Torx screw [P4] and M6 elastic nut [P6].



9. Install both covers in place.

