

Rear Rack Kit for Polaris Sportsman XP 1000

ZP-YJ-030503-083



BEFORE YOU BEGIN

Read these instructions and check to be sure all parts and tools are accounted for. Please retain these installation instructions for future reference.

IMPORTANT

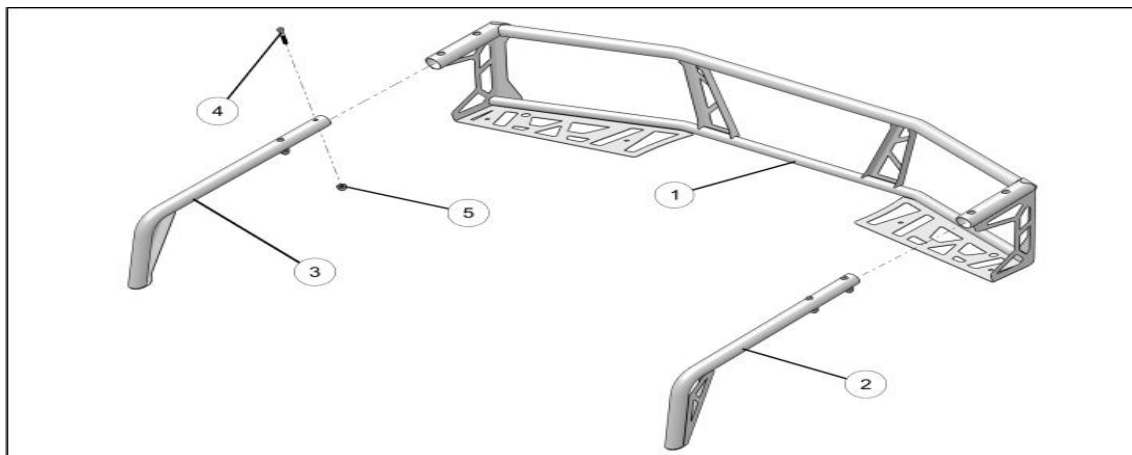
The Rear Rack Kit is exclusively designed for your vehicle. Please read the installation instructions thoroughly before beginning. Installation is easier if the vehicle is clean and free of debris. For your safety, and to ensure a satisfactory installation, perform all installation steps correctly in the sequence shown.

INSTRUCTIONS

ASSEMBLY



Assemble parts 1, 2, 3 and 4 together with two 6 * 40 hexagon socket screws, two 6 * 30 hexagon socket screws and four M6 locknuts

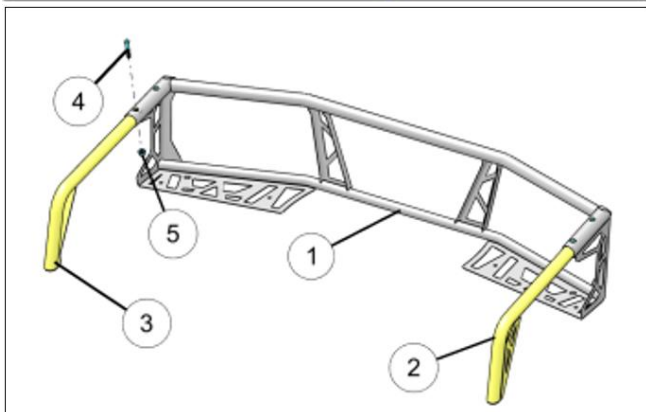
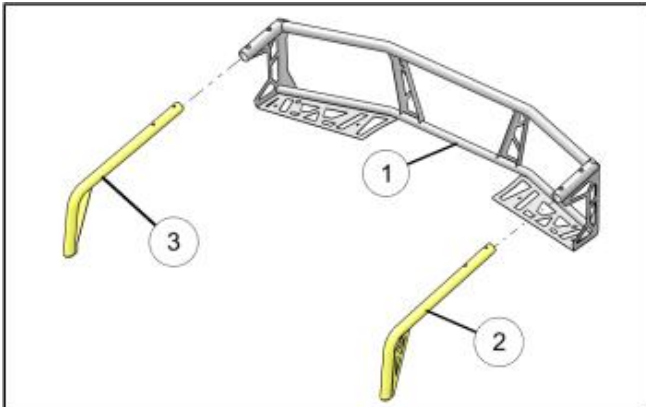


TOOLS REQUIRED

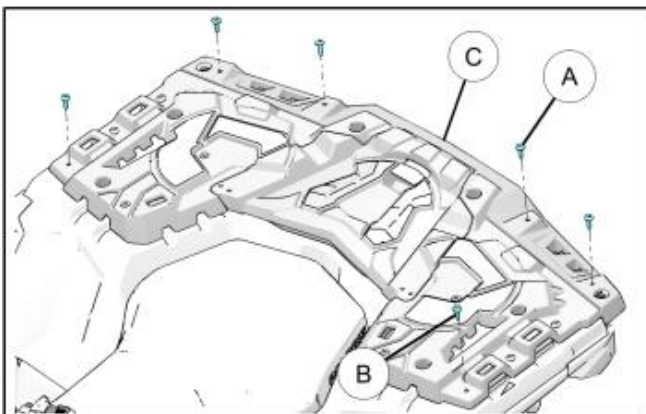
- Safety Glasses
- Metric Socket Set
- Metric Wrench Set
- Torx Drivers

INSTALLATION INSTRUCTIONS

1. Shift vehicle transmission into "PARK". Turn key to "OFF" position and remove from vehicle.
2. Install the rear rack extenders (LH 2 and RH 3) to the rectangular rack extender 1 using four screws 4 and nuts 5. Do not tighten screws at this time.

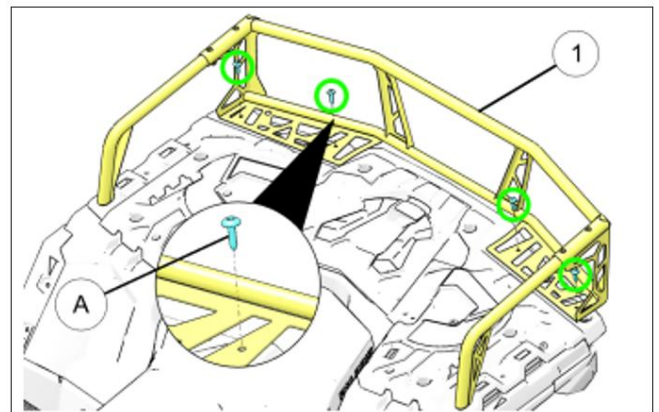


3. Remove four screws (A) from the rear and two screws (B) and associated nuts from the front of rear rack (C) as shown. Retain screws (A) and (B) for reuse. Discard nuts.

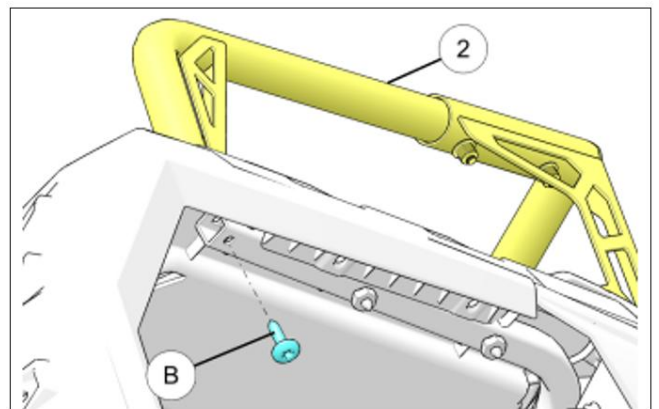


4. Install rear rack extender assembly on rear rack as shown and install four screws (A) removed in Step 3 to the rectangular rear rack extender 1.

Tighten fasteners to specification.



5. Reinstall two screws (B) removed in Step 3 onto the rear rack extenders (LH 2 and RH 3) from the bottom side of the vehicle as shown. Tighten fasteners to specification.



6. Tighten screws 4 and nuts 5 at this time to below specification.

COMPATIBILITY

Premium rear rack extender kit is compatible with Gun Mount Kit (PN 2882272), but will not work with Storage Box Kit (PN 2882026).