

DRINK HOLDER

ZP-YJ-030903-001



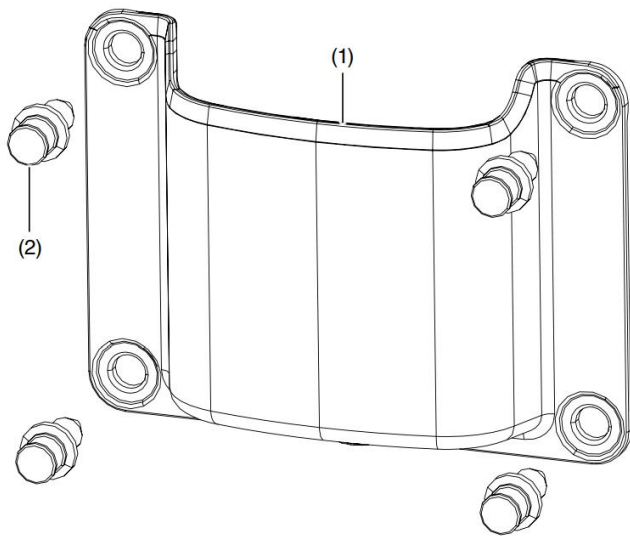
BEFORE YOU BEGIN

Read these instructions and check to be sure all parts and tools are accounted for. Please retain these installation instructions for future reference.

IMPORTANT

Your DRINK HOLDER is exclusively designed for your vehicle. Please read the installation instructions thoroughly before beginning. Installation is easier if the vehicle is clean and free of debris.

PARTS LIST



ITEM	DESC
1	Drink holder
2	Trim clip

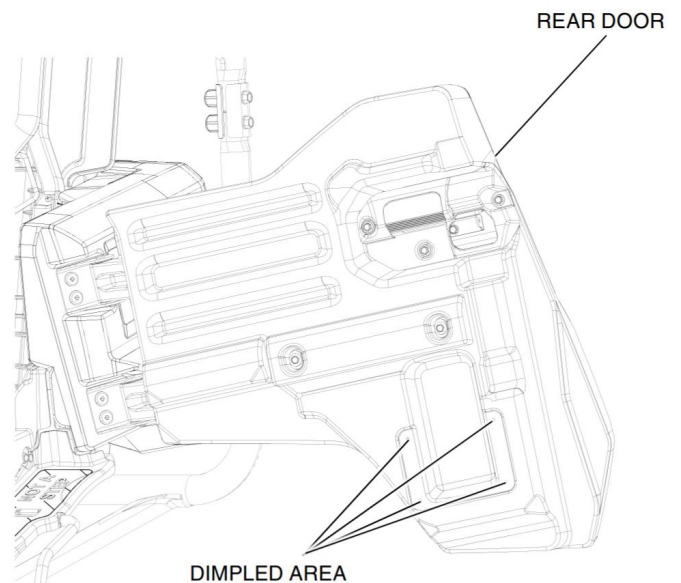
INSTALLATION INSTRUCTIONS

1. Shift vehicle transmission into "PARK". Turn key to "OFF" position and remove from vehicle.

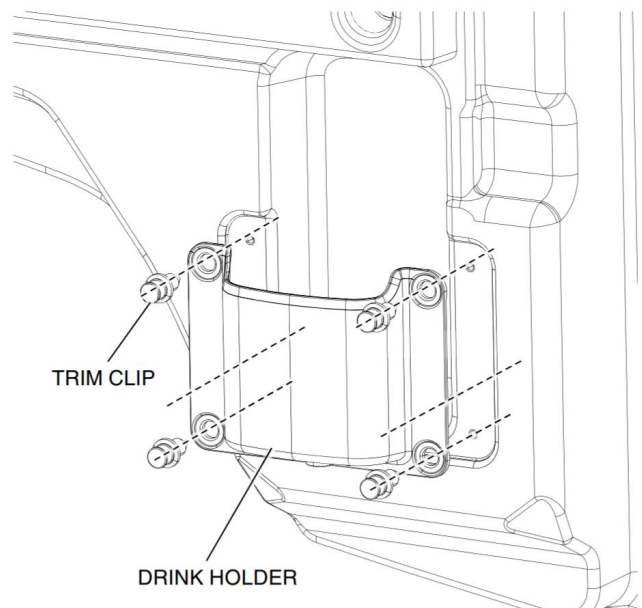
INSTALL ON SXS700M4/M4D REAR

DOOR

1. Drill through the four dimpled areas in the rear door using an 8 mm drill bit as shown.



2. Install the drink holder with four trim clips through the holes drilled in Step 1 as shown.

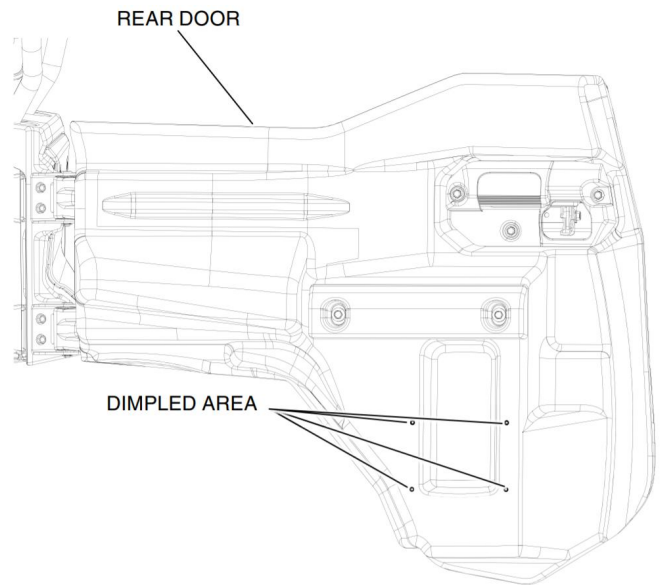
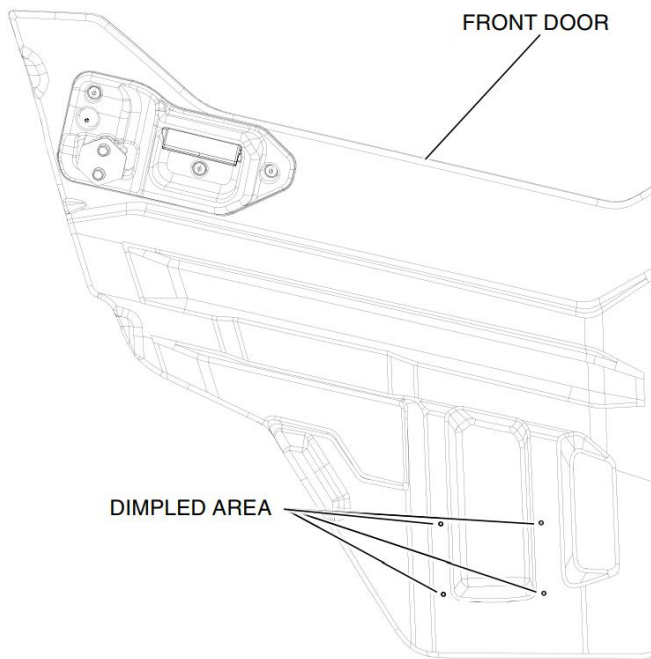


INSTALL SXS1000 FRONT DOOR

1. Drill through the four dimpled areas in the front door using an 8 mm drill bit as shown.

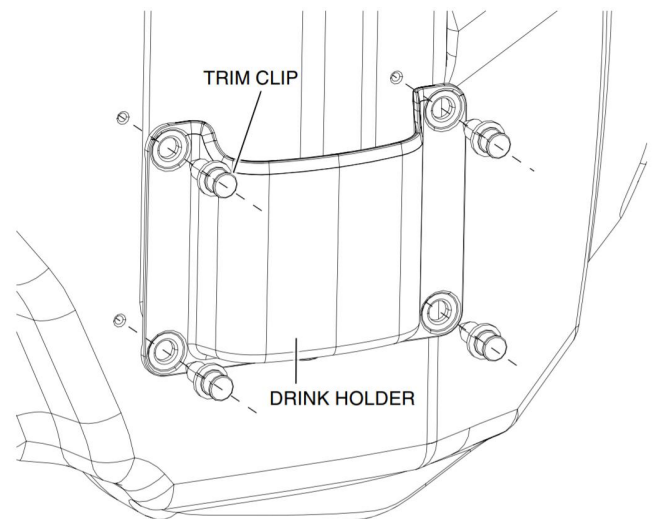
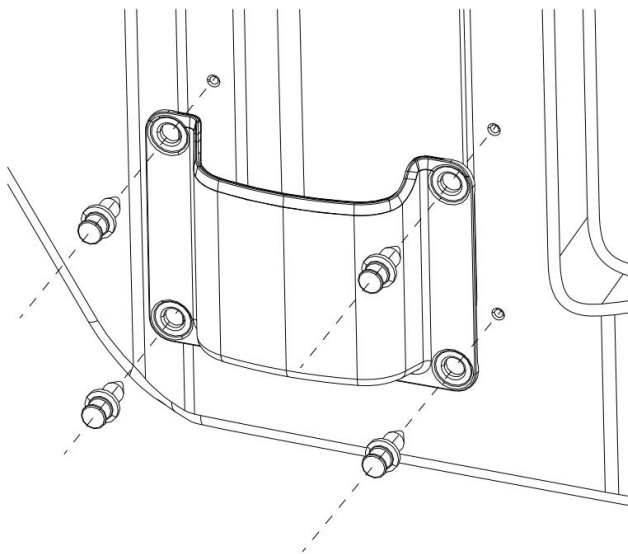
DRINK HOLDER

ZP-YJ-030903-001



2. Install the drink holder with four trim clips through the holes drilled in Step 1 as shown.

2. Install the drink holder with four trim clips through the holes drilled in Step 1 as shown.



INSTALL SXS1000 REAR DOOR

1. Drill through the four dimpled areas in the rear door using an 8 mm drill bit as shown.