

# Front Bumper Kit For Polaris Sportsman XP 1000

ZP-YJ-030506-011

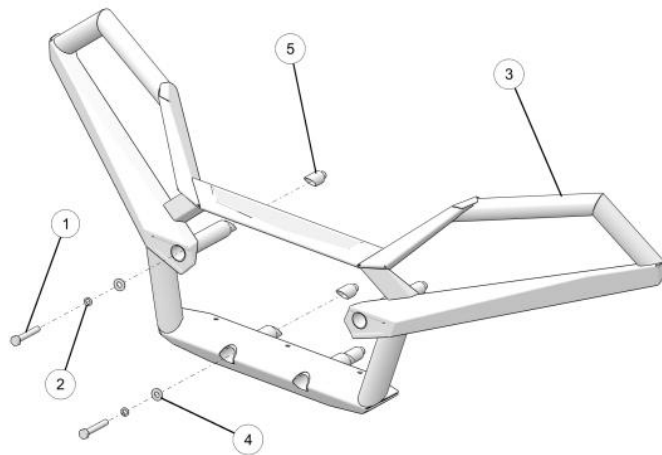


## BEFORE YOU BEGIN

Read these instructions and check to be sure all parts and tools are accounted for. Please retain these installation instructions for future reference.

## IMPORTANT

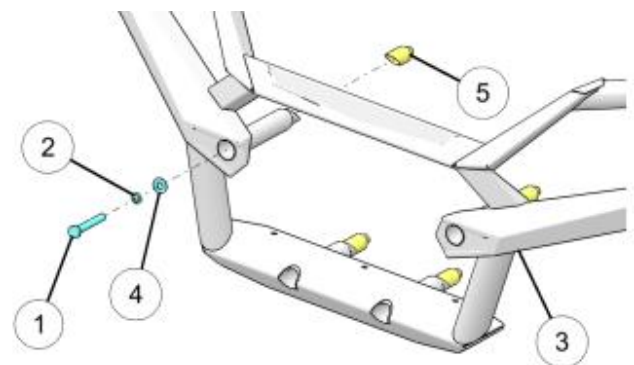
This FRONT BUMPER KIT is exclusively designed for your vehicle. Please read the installation instructions thoroughly before beginning. Installation is easier if the vehicle is clean and free of debris.



## INSTALLATION INSTRUCTIONS

1. Shift vehicle transmission into "PARK". Turn key to "OFF" position and remove from vehicle.
2. Assemble part A, part B and part C of the assembly according to the instructions in the diagram. The front bumper is assembled.

3. Install four taper block tubes ⑤ on front bumper weldment ③ using screws ①, spring washers ②, and washers ④. Do not tighten screws at this time.

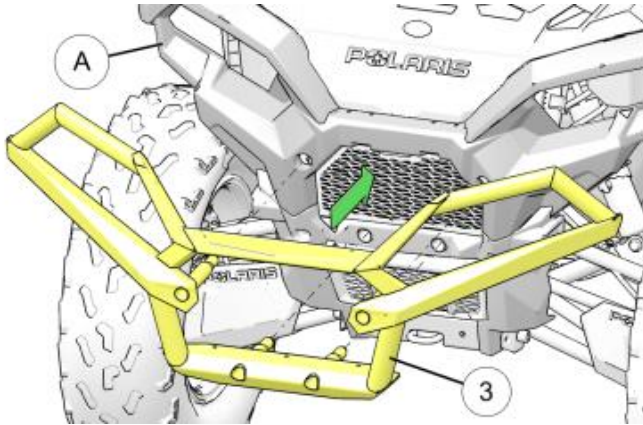


# Front Bumper Kit For Polaris Sportsman XP 1000



ZP-YJ-030506-011

4. Install bumper assembly ③ onto front fascia (A) by inserting four wedge mounts into the holes in fascia. Push on bumper and tighten all four screws ①.



5. Final front bumper ③ installation as shown below.

