

BEFORE YOU BEGIN

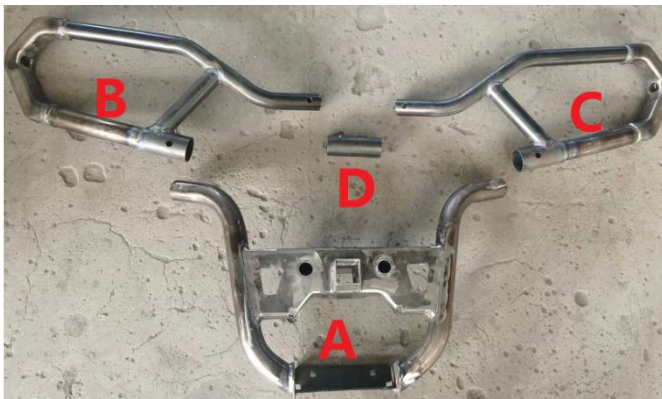
Read these instructions and check to be sure all parts and tools are accounted for. Please retain these installation instructions for future reference.

IMPORTANT

The Front Bumper Kit is exclusively designed for your vehicle. Please read the installation instructions thoroughly before beginning. Installation is easier if the vehicle is clean and free of debris. For your safety, and to ensure a satisfactory installation, perform all installation steps correctly in the sequence shown.

INSTRUCTIONS

ASSEMBLY



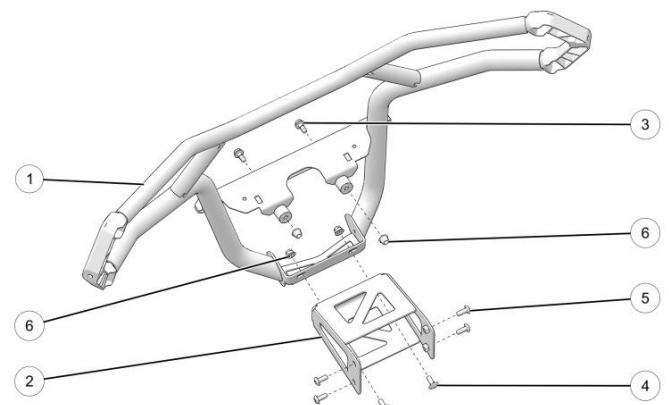
1. Fix part B and part C to part A with M8*50 screws and nuts. As shown in picture:



2. Connect part B with part C by part D, with two M8*40 screws and nuts.



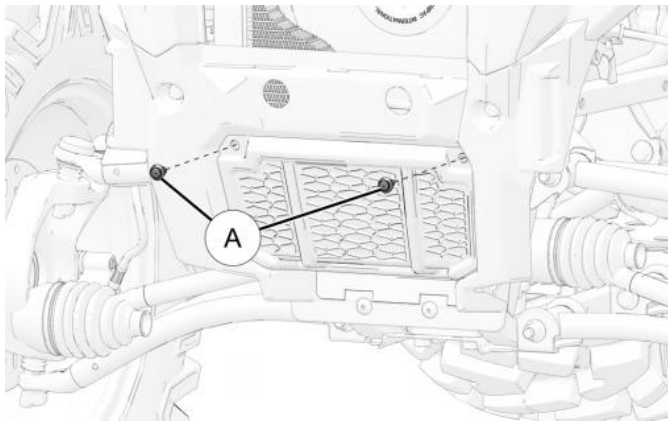
3. Tighten nut assembly as shown in figure



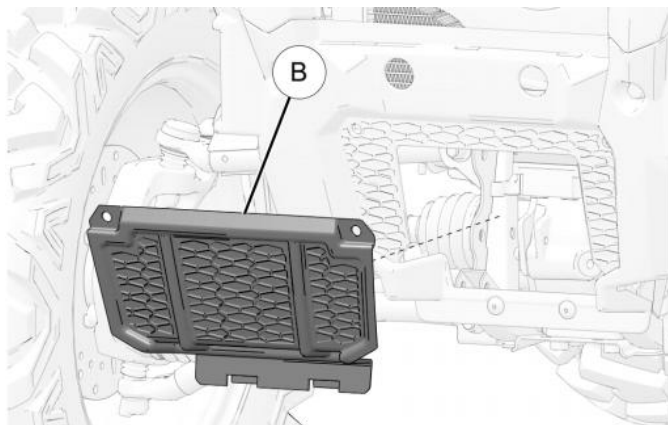
INSTALLATION INSTRUCTIONS

VEHICLE PREPARATION

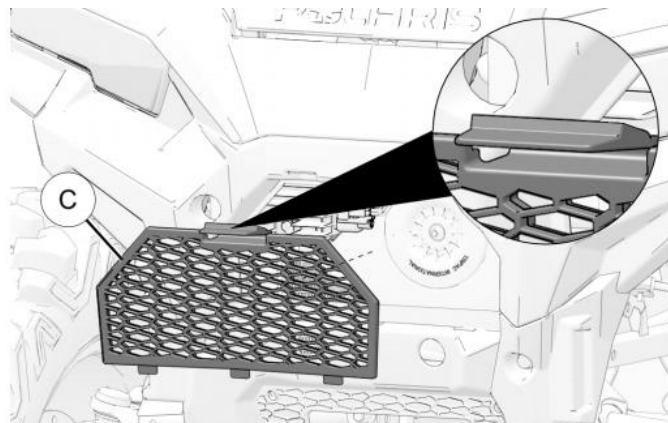
1. Park vehicle on a flat surface.
2. Push engine stop switch to the OFF position.
3. Turn key to the OFF position and remove key.
4. Remove the two push pin rivets A securing the winch cover.



5. Remove winch cover B and set aside.



6. Remove radiator screen C.

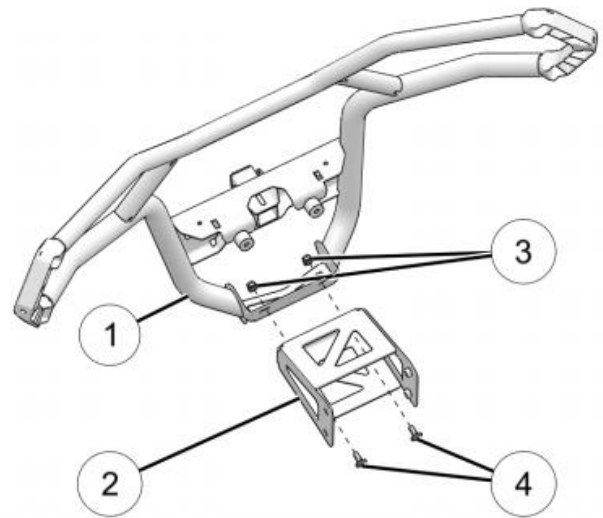


ACCESSORY INSTALLATION

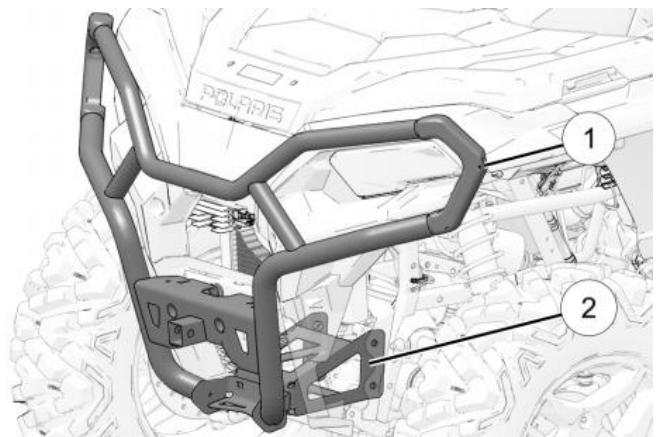
FRONT BUMPER MOUNTING WITHOUT A WINCH

1. Loosely install the front bumper mounting bracket 2 to the front bumper 1 using carriage bolts 4 and nuts 6.

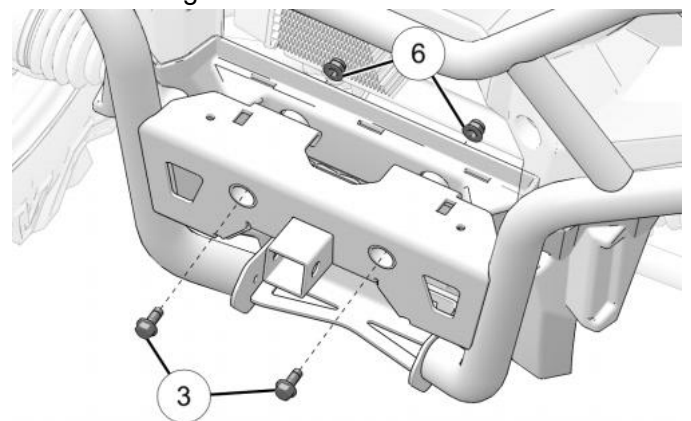
Note: Do not tighten fasteners at this time.



2. Install the front bumper 1 / front bumper mounting bracket 2 as an assembly and align mounting holes.



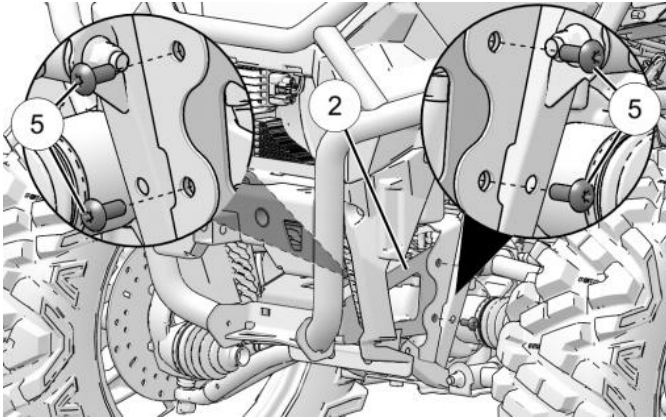
3. Install the two fasteners 3 from the front side of the front bumper into the front bumper support bracket and install the nuts 6 on the backside. Note: Do not tighten fasteners at this time.



4. Install the four fasteners 5 securing the front bumper mounting bracket 2 to the frame.

Front Bumper Kit for Polaris Sportsman 450 570 2021+

ZP-YJ-030503-079



5. Torque all fasteners to specification.

Notice: As you begin to torque the fasteners you may need to shift your bumper into place to align with the body. Then tighten all hardware.

Torque: Front Bumper Mounting Fasteners:

17 ft-lbs (23 N·m)