

Rear Bumper Kit For Polaris Sportsman XP 1000



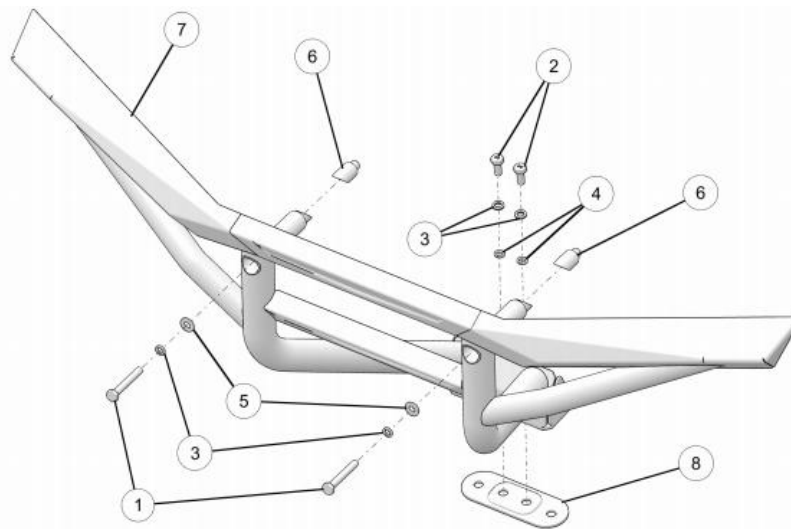
ZP-YJ-030506-012

BEFORE YOU BEGIN

Read these instructions and check to be sure all parts and tools are accounted for. Please retain these installation instructions for future reference.

IMPORTANT

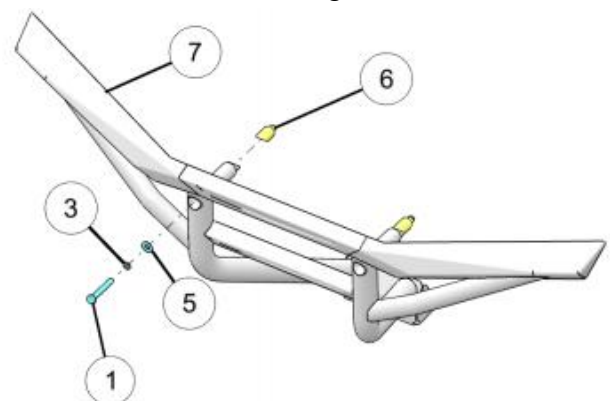
This REAR BUMPER KIT is exclusively designed for your vehicle. Please read the installation instructions thoroughly before beginning. Installation is easier if the vehicle is clean and free of debris.



INSTALLATION INSTRUCTIONS

1. Shift vehicle transmission into "PARK". Turn key to "OFF" position and remove from vehicle.
2. As shown in the figure, install part A, part B on both Ends of part C. The rear bumper installation completed.

3. Install two taper lock tubes (6) on rear bumper weldment (7) using screws (1) and washers (3) (5). Do not tighten screws (1).

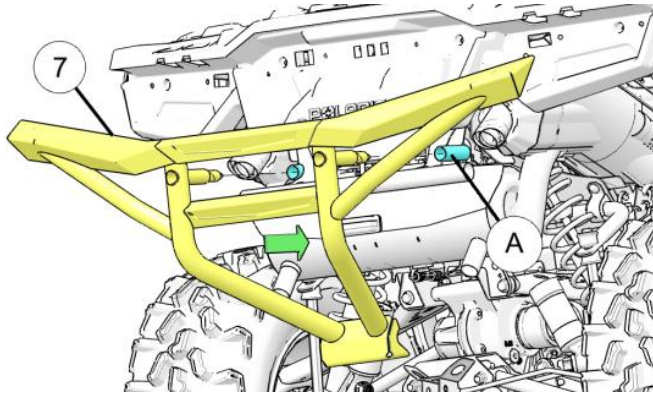


Rear Bumper Kit For Polaris Sportsman XP 1000

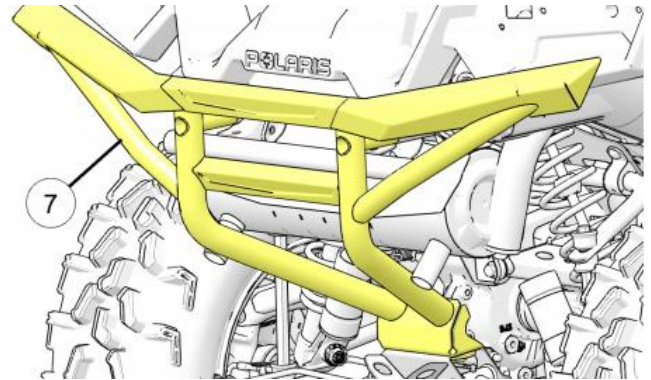


ZP-YJ-030506-012

4. Install rear bumper assembly ⑦ by inserting wedge mounts into the bumper mount tubes (A). Push on bumper. Do not tighten screws ① at this time.



6. Tighten screws ① at this time to below specification. Final rear bumper ⑦ installation is shown below.



5. Slide the bumper mounting plate ⑧ with nuts facing down into the gap between the top of A-arm pivot and the frame (B). Insert screws ② with lock washers ③ and flat washers ④ through the bumper ⑦ and vehicle frame (B) and thread into the bumper mounting plate ⑧. Tighten both screws ② to below specification.

