

Rear Rack Extender for Polaris Sportsman 570 2021-2022



ZP-YJ-030506-026

BEFORE YOU BEGIN

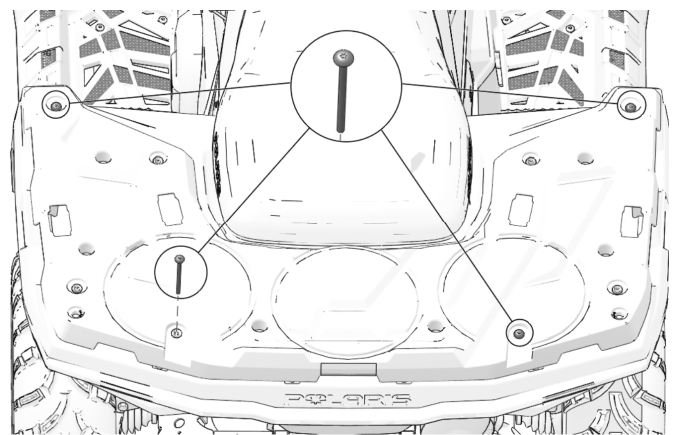
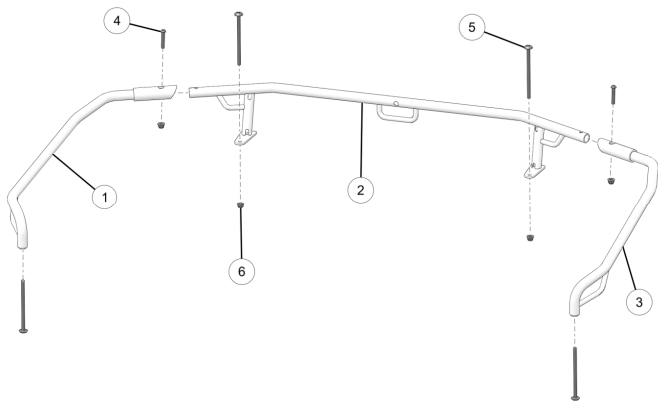
Read these instructions and check to be sure all parts and tools are accounted for. Please retain these installation instructions for future reference.

IMPORTANT

The Rear Rack Extender is exclusively designed for your vehicle. Please read the installation instructions thoroughly before beginning. Installation is easier if the vehicle is clean and free of debris. For your safety, and to ensure a satisfactory installation, perform all installation steps correctly in the sequence shown.

INSTRUCTIONS

Note: Shift vehicle transmission into "PARK". Turn key to "OFF" position and remove from vehicle.



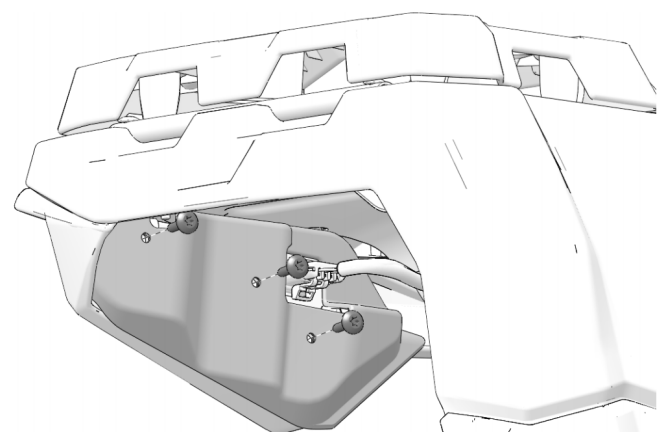
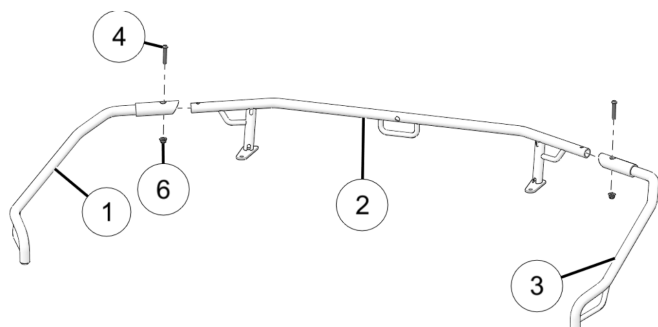
2. If equipped with dual tail lamps, unscrew the taillight shield on the right side and move shield aside.

ACCESSORY INSTALLATION

REAR RACK EXTENDER ASSEMBLY

1. Put ends of middle section 2 into left section 3 and right section 1. Loosely install two screws 4 and two nuts 6.

Note: Do not torque fasteners at this time.



3. Align rear rack extender on rear box cover.

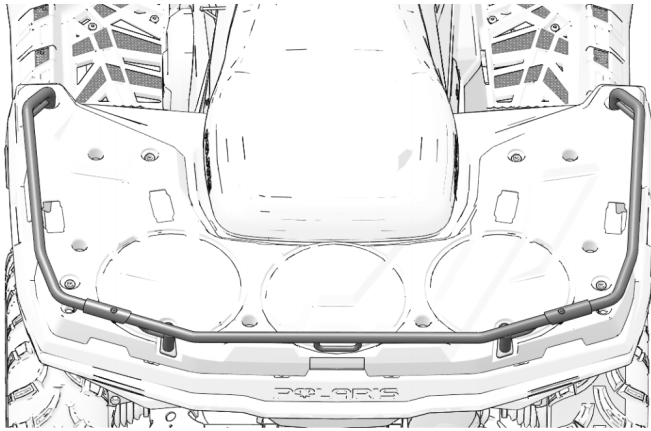
REAR RACK EXTENDER INSTALLATION

1. Remove and discard four screws from rear box cover.

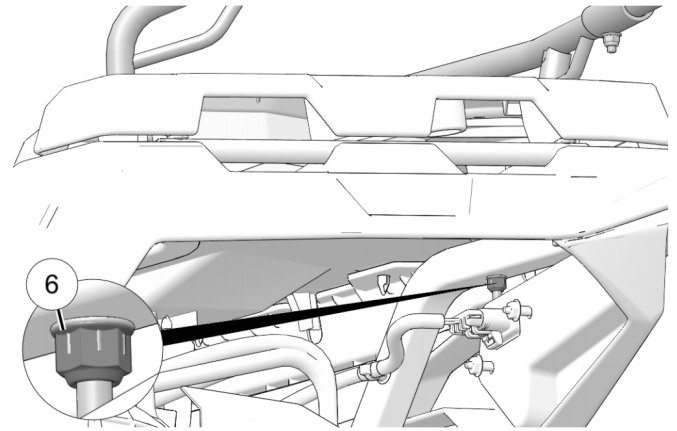
Rear Rack Extender for Polaris Sportsman 570 2021-2022



ZP-YJ-030506-026

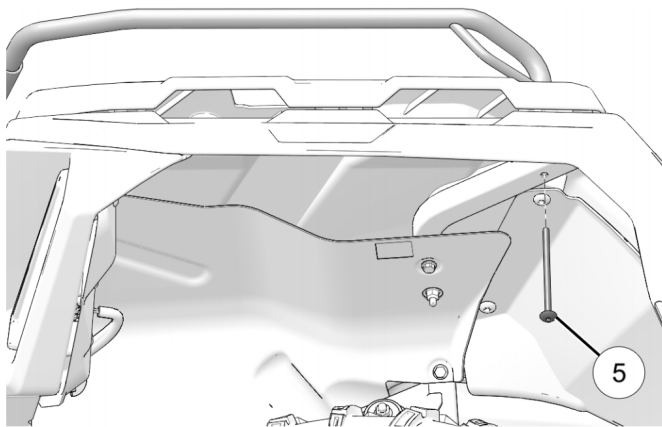


4. Install screw 5 from the underside of box cover up into rear rack extender. Repeat other side. Torque screws to specification.

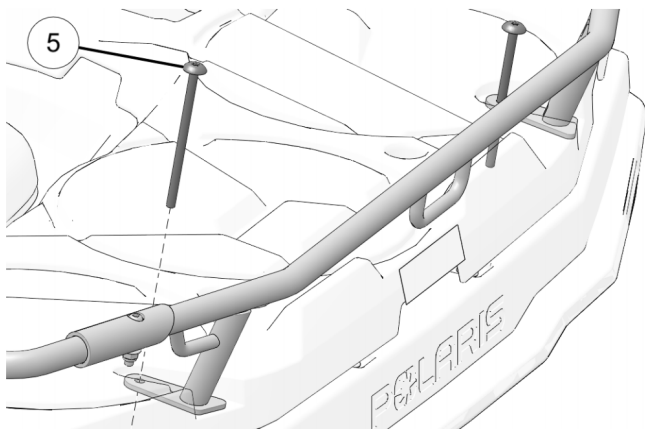
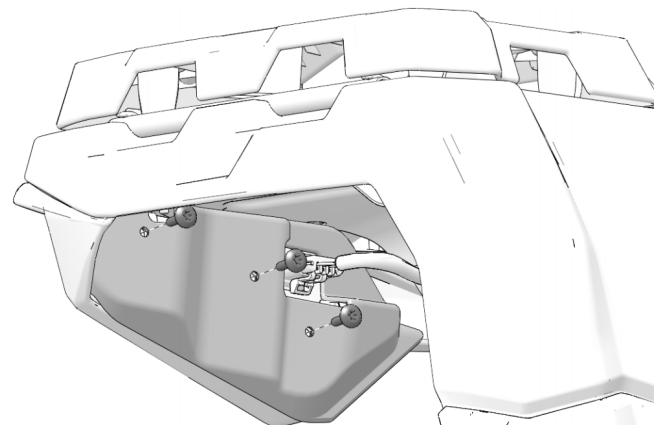


7. Torque rear rack extender assembly screws to specification

8. If equipped with dual tail lamps, reinstall the taillight shield on the right side.



5. Install two screws 5 through the rear rack extender down through the box cover.



6. Install nut 6 onto screw 5. Repeat other side. Torque screws to specification.