

# Rear Bumper Kit for Polaris Sportsman 570

ZP-YJ-030506-019



## BEFORE YOU BEGIN

Read these instructions and check to be sure all parts and tools are accounted for. Please retain these installation instructions for future reference.

## IMPORTANT

The Rear Bumper Kit is exclusively designed for your vehicle. Please read the installation instructions thoroughly before beginning. Installation is easier if the vehicle is clean and free of debris. For your safety, and to ensure a satisfactory installation, perform all installation steps correctly in the sequence shown.

## INSTRUCTIONS

### TOOLS REQUIRED

- Safety Glasses
- Torque Wrench
- Socket Set, Torx® Bit

### ASSEMBLY



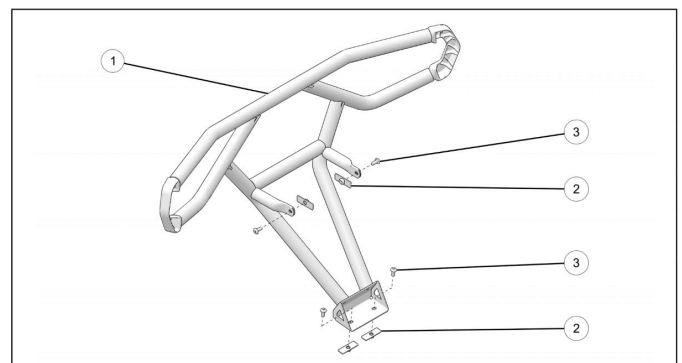
1. Assemble parts 1, 2 and 3 together with two 8\*50 hexagon socket screws and two M8 lock nuts.



2. Assemble parts 4, 5 and upper frame tubes together with four 8\*50 hexagon socket screws and four M8 lock nuts.



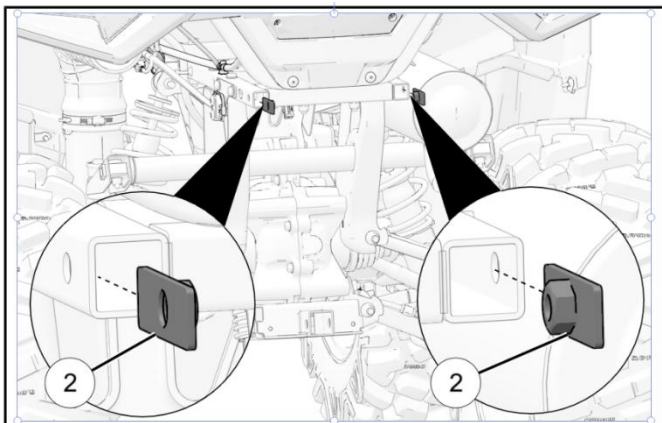
## INSTALLATION INSTRUCTIONS



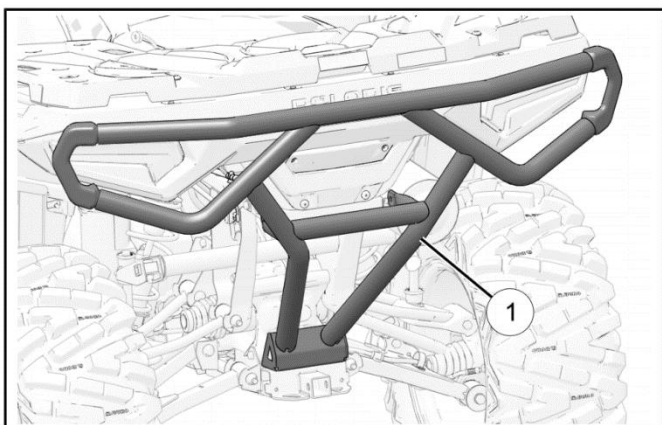
1. Shift vehicle transmission into "PARK". Turn key to "OFF" position and remove from vehicle.
2. Install the bumper weld-mounts 2 provided in the kit into the upper frame tubes.

# Rear Bumper Kit for Polaris Sportsman 570

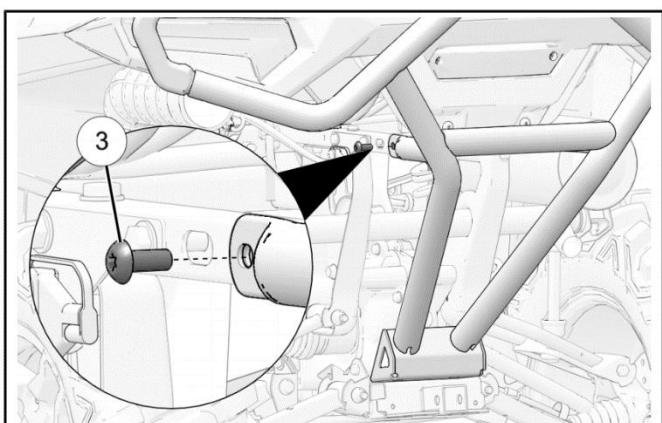
ZP-YJ-030506-019



3. Slide the rear bumper 1 into place and align mounting holes.

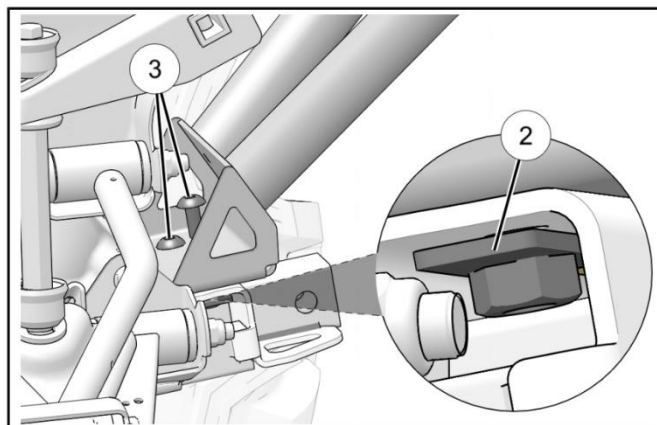


4. Install the left upper bumper fastener 3. Repeat this step to install right upper bumper fastener.



NOTICE: Don't tighten fasteners at this time.

5. Slide the bumper weld-mounts 2 into the hitch plate portion of the frame and install the fasteners 3 from the top down to secure the bottom of the rear bumper.



6. Torque all fasteners to specification.