

UNDER DASH STORAGE FOR HONDA PIONEER 1000

ZP-YJ-030908-002

BEFORE YOU BEGIN

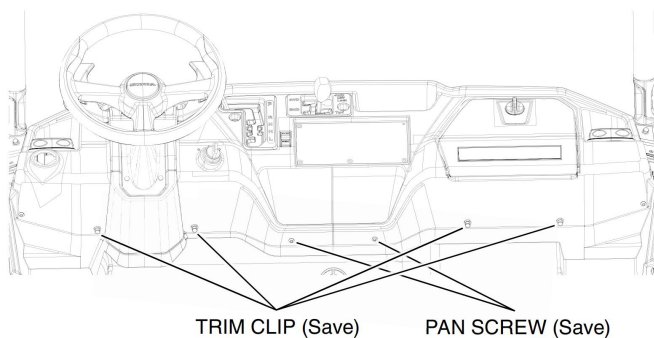
Read these instructions and check to be sure all parts and tools are accounted for. Please retain these installation instructions for future reference.

IMPORTANT

This UNDER DASH STORAGE is exclusively designed for your PIONEER. Please read the installation instructions thoroughly before beginning. Installation is easier if the vehicle is clean and free of debris.

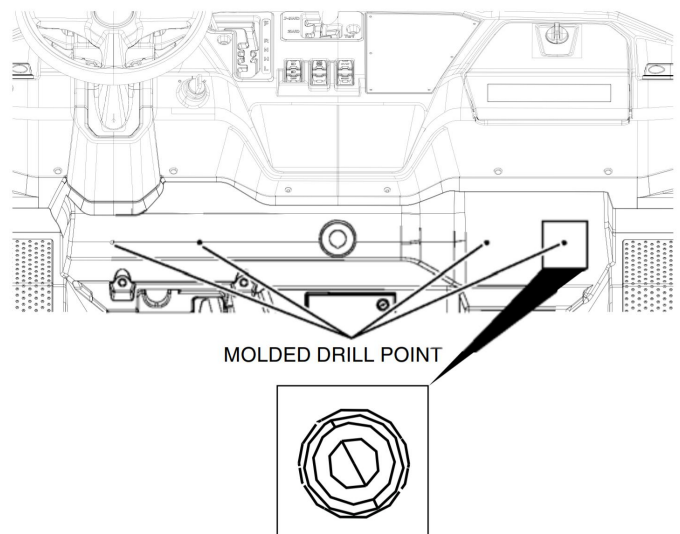
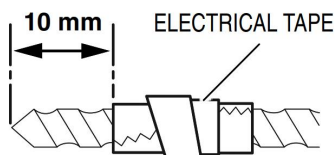
INSTALLATION INSTRUCTIONS

1. Shift vehicle transmission into "PARK". Turn key to "OFF" position and remove from vehicle.
2. Remove and save the four trim clips and two pan screws from the lower area of the instrument panel as shown in following image.



3. **For vehicle after 2016 Model Year:** Using the 3/8 inch drill bit, drill a hole in the front floor cover at each molded drill point as indicated below. After the holes are drilled, proceed to Step 5.

NOTICE: Wind the tape around the drill bit leaving 10mm of the tip of the drill bit exposed to serve as a drill stop.

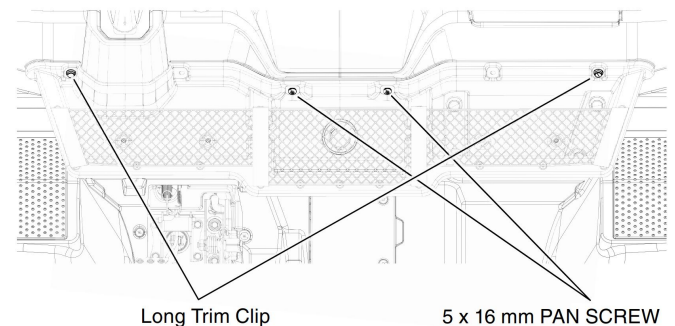


4. **For vehicle in 2016 Model Year:**

4.1 Temporarily install the under dash storage assembly on to the front floor cover and secure the center and upper corners as shown using:

- (1) Pan screw, 5*16mm;
- (2) Long Trim clip.

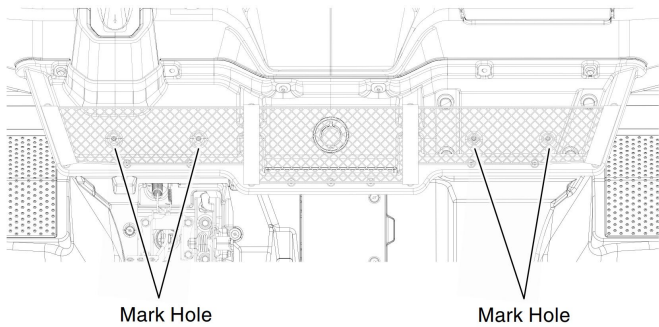
Don't set the long trim clip at this time.



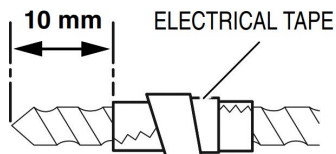
4.2 Apply upward pressure to hold storage assembly firmly against the front floor cover. Use the holes shown as a template to mark the position of 4 holes to be drilled in the floor cover.

UNDER DASH STORAGE FOR HONDA PIONEER 1000

ZP-YJ-030908-002

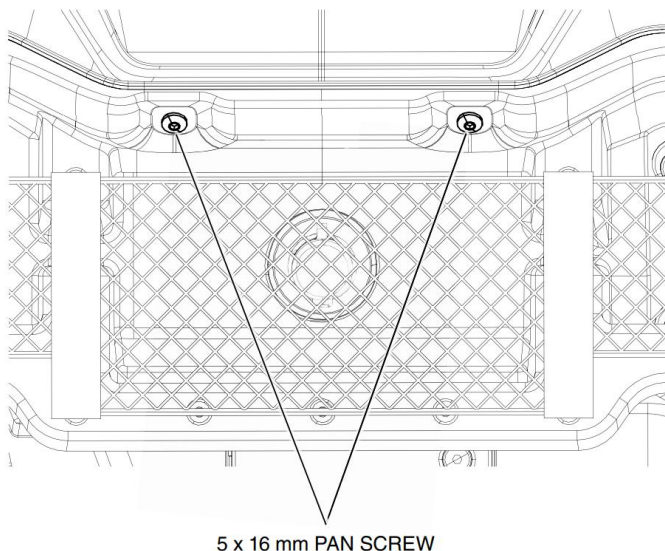


- 4.3 Remove the under dash storage assembly.
4.4 Using the 3/8 inch drill bit, drill holes in the floor cover at the positions marked in Step 5.
NOTICE: Wind the tape around the drill bit leaving 10mm of the tip of the drill bit exposed to serve as a drill stop.

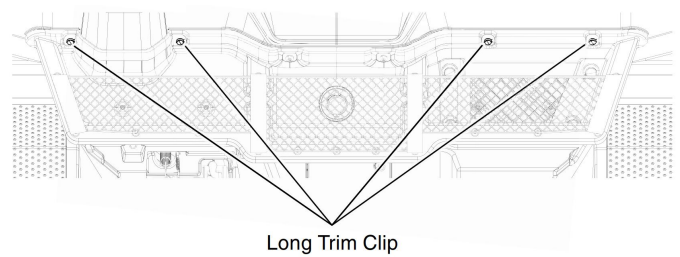


FOR ALL YEARS:

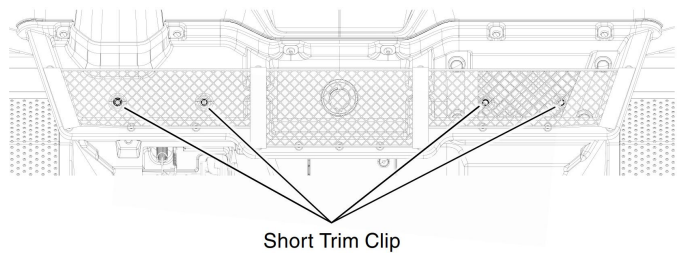
5. Hold the under dash storage assembly against the instrument panel. Install, but do not tighten, the the 5 x 16 mm pan screws through the under dash storage as shown.



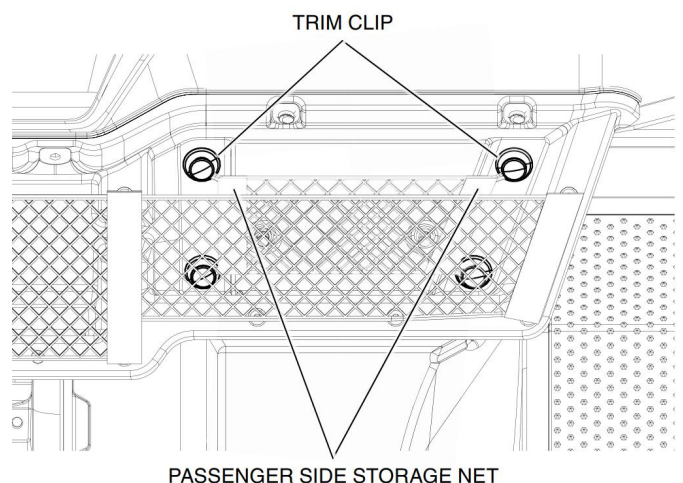
6. Install a long trim clip at each of the four locations as shown.



7. Install a short trim clip in each of the four holes drilled in Step 4.4 as shown.



8. Install the passenger side storage net with the trim clips as shown.



9. Tighten the hardware.