

Lower Door KIT FOR RZR1000

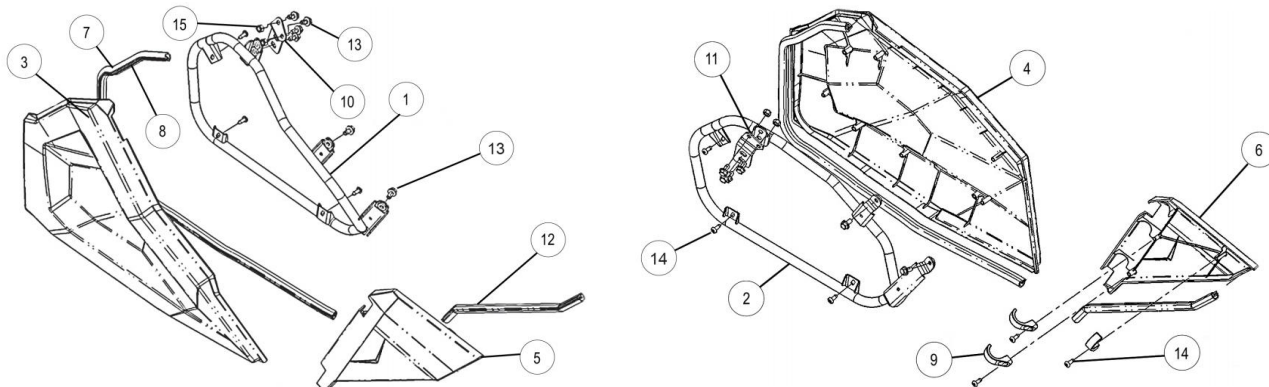
ZP-YJ-030503-007



BEFORE YOU BEGIN

Read these instructions and check to be sure all parts and tools are accounted for. Please retain these installation instructions for future reference.

PACKAGE INCLUDE



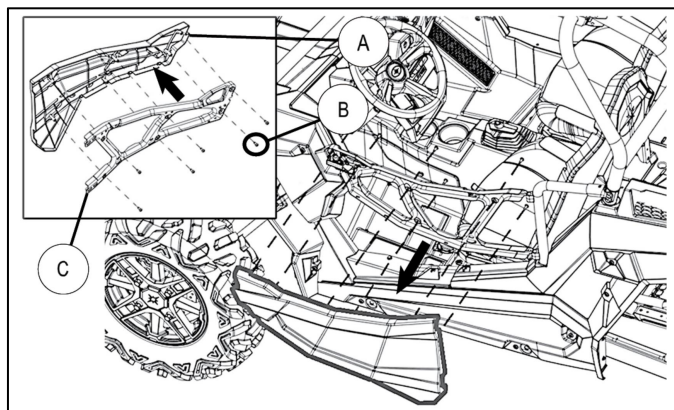
- | | | |
|----------------------------|-------------------------------|---------------------------|
| 1 - Frame, Lower Door, LH | 2 - Frame, Lower Door, RH | 3 - Panel, Lower Door, LH |
| 4 - Panel, Lower Door, RH | 5 - Panel, Bolster, LH | 6 - Panel, Bolster, RH |
| 7 - Seal, Lower Door, Long | 8 - Seal, Lower Door, Short | 9 - Bracket, J-Mount |
| 10 - Mount, Lower Door, LH | 11 - Mount, Lower Door, RH | 12 - Seal, Bolster |
| 13 - Screw, M8 X 1.25 X 16 | 14 - Screw, Hi/Lo - #14 X 3/4 | 15 - Nut, M8 X 1.25 |

IMPORTANT

Your LOWER DOOR KIT is exclusively designed for your vehicle. Please read the installation instructions thoroughly before beginning. Installation is easier if the vehicle is clean and free of debris.

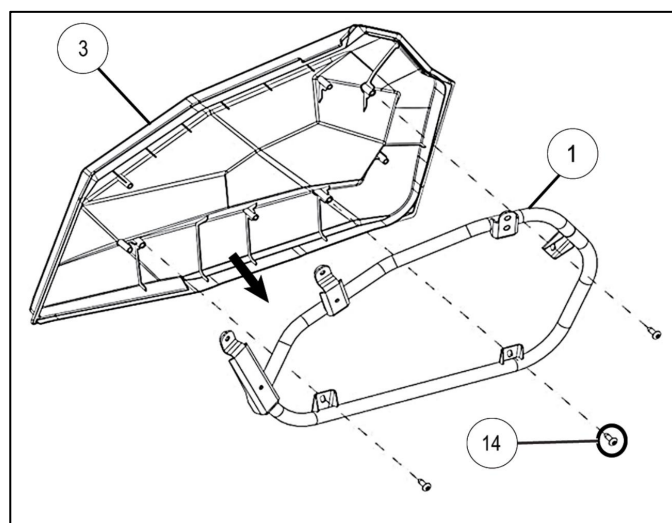
INSTALLATION INSTRUCTIONS

1. Shift vehicle transmission into "PARK". Turn key to "OFF" position and remove from vehicle.
2. Remove door skin (A) from door frame (C) by removing six screws (B) as shown. Retain screws.



3. Loosely install lower door panel (3) to lower door frame (1) using three screws (14) as

shown.



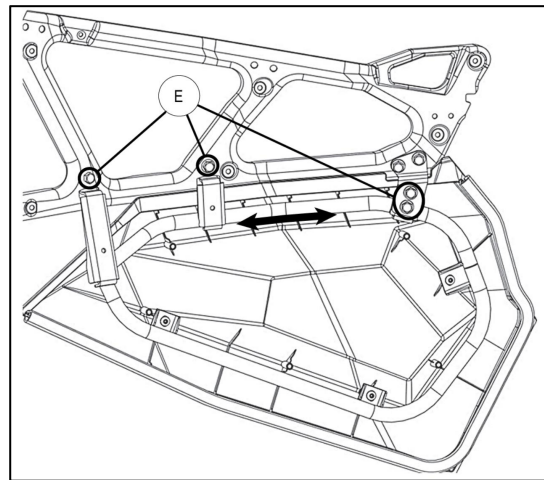
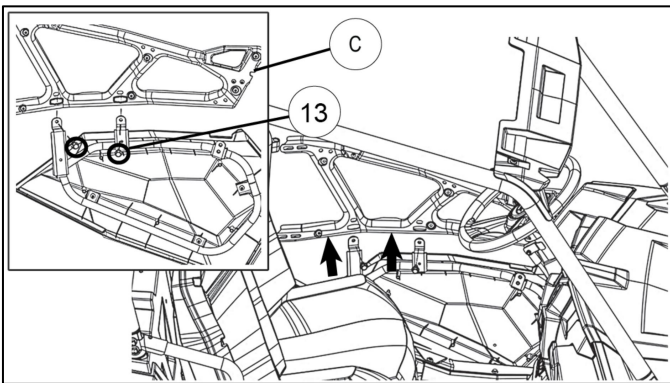
4. Slide brackets of lower door sub assembly into slots in door frame (C), then loosely install two screws (13) as shown.

Lower Door KIT FOR RZR1000

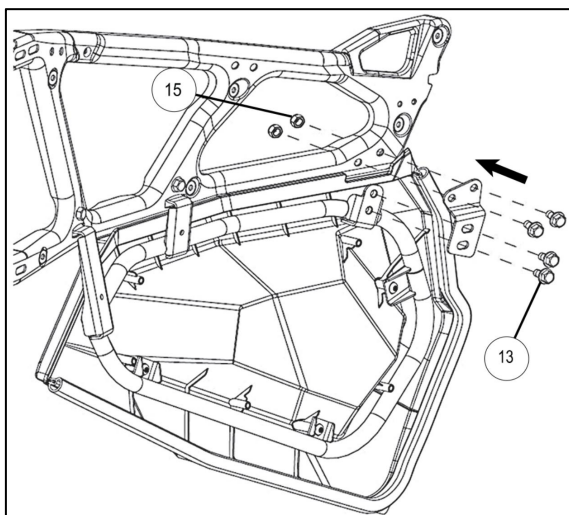
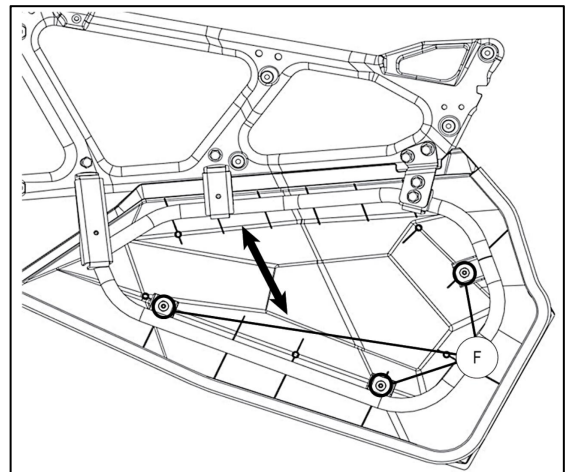
ZP-YJ-030503-007



for vertical adjustment as shown. Torque seven screws to specification.

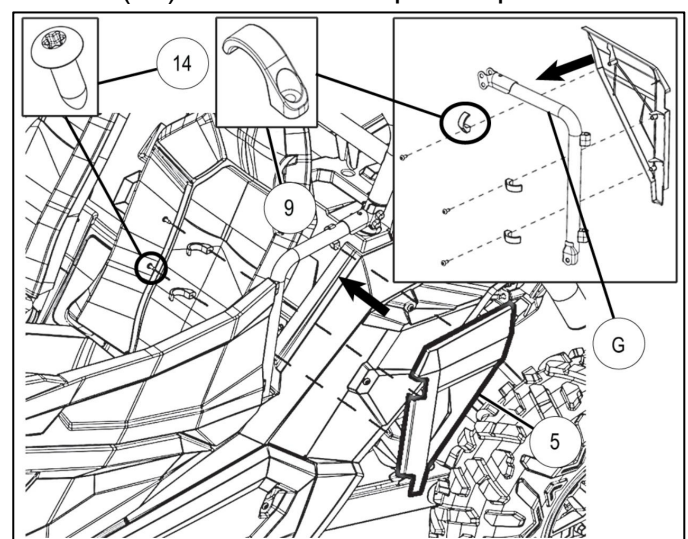
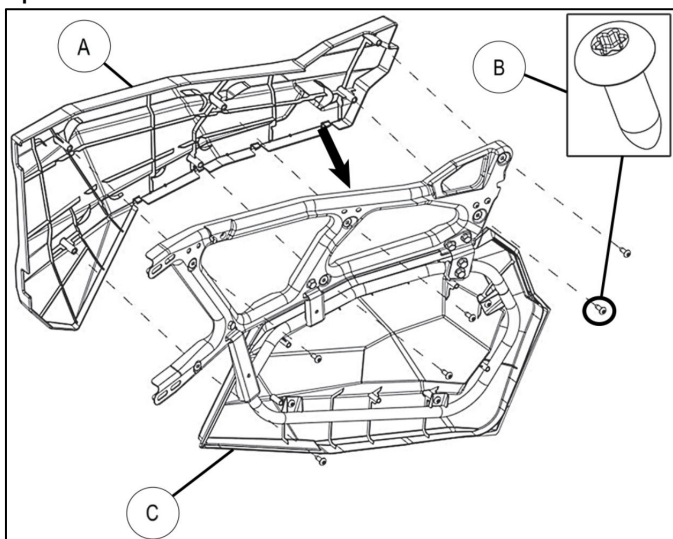


5. Loosely install lower door mount (10) using four screws (13) and two nuts (15) as shown. Torque upper two screws/nuts to specification.



6. Reinstall door skin (A) to door frame (C) using six retained screws (B). Torque to specification.

8. Install bolster cover panel (5) to bolster (G) using three each J-mount brackets (9) and screws (14) as shown. Torque to specification.



7. Adjust lower door panel (3) using four slots (E) for horizontal adjustment and three slots (F)

9. Repeat Steps 2–8 for RH side using lower door frame (2), lower door panel (4), lower door mount (11), and bolster panel (6).