

Installation Tips

BEFORE YOU BEGIN

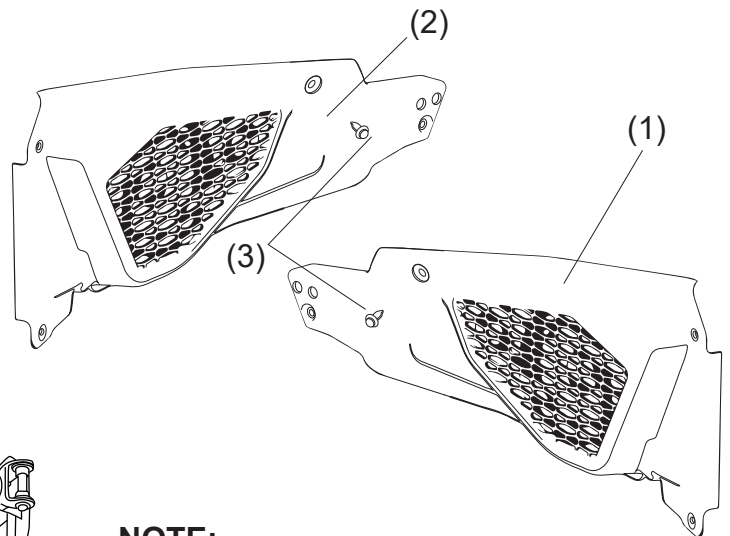
1. Read these instructions and check to be sure all parts and tools are accounted for.
2. Please retain these installation instructions for future reference and parts ordering information

IMPORTANT

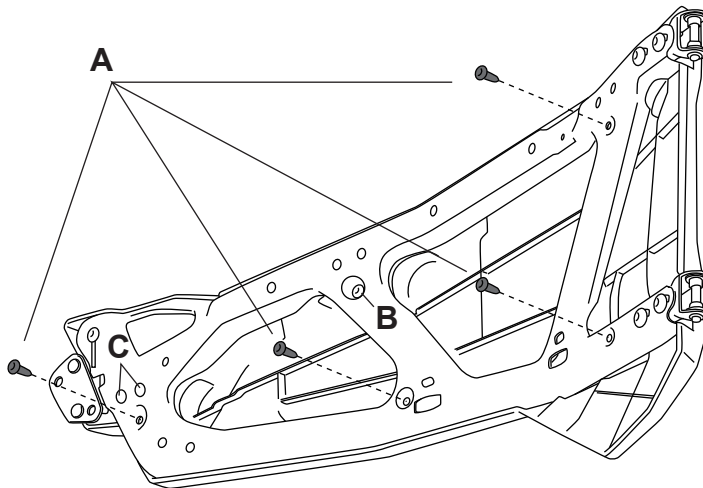
1. Our product is a unique design for your vehicle.
2. Please read the installation instructions carefully before you start.
3. If the vehicle is clean and free of other debris, it will be easy to install.
4. For your safety and to ensure a satisfactory installation, please complete all the installation steps in the order shown below

PRODUCT INFORMATION:

REF	QTY	PART DESCRIPTION
1	1	Speaker Assembly, LH
2	1	Speaker Assembly, RH
3	2	Rivet, Push Pin - 0.354X 0.9



INSTALLATION TIPS:



NOTE:

RH side shown; LH side similar.

a. Remove four screws A from inner door frame as shown. Retain screws.

NOTE

Do not remove screws B or C; speaker assembly (1) (2) is installed on top of screw B, and cutouts are provided for screws E.

b. Install speaker assembly (1) (2) to inner door frame using four retained screws A and one push pin rivet (3) as shown. Route speaker wires through channel D in speaker housing, through interior of door frame U-channel E, then out below lower hinge.

IMPORTANT:

Ensure wire routing prevents pinching or contact with sharp edges.

c. Repeat Steps a. and b. for opposite speaker.

