

WINCH COVER KIT FOR POLARIS RZR XP

ZP-YJ-030503-046



BEFORE YOU BEGIN

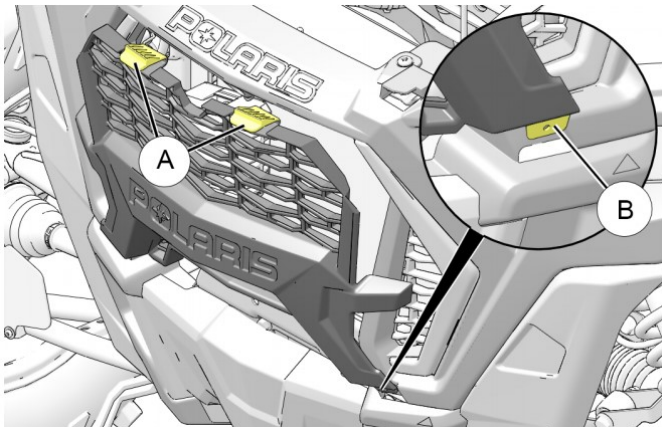
Read these instructions and check to be sure all parts and tools are accounted for. Please retain these installation instructions for future reference.

IMPORTANT

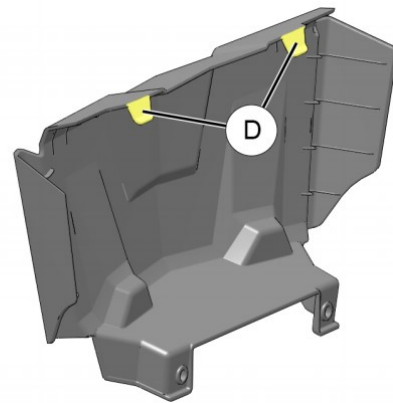
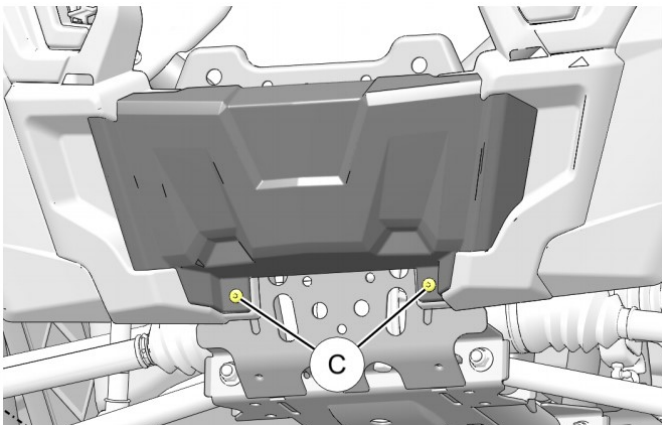
This front WINCH COVER KIT is exclusively designed for your vehicle. Please read the installation instructions thoroughly before beginning. Installation is easier if the vehicle is clean and free of debris.

INSTALLATION INSTRUCTIONS

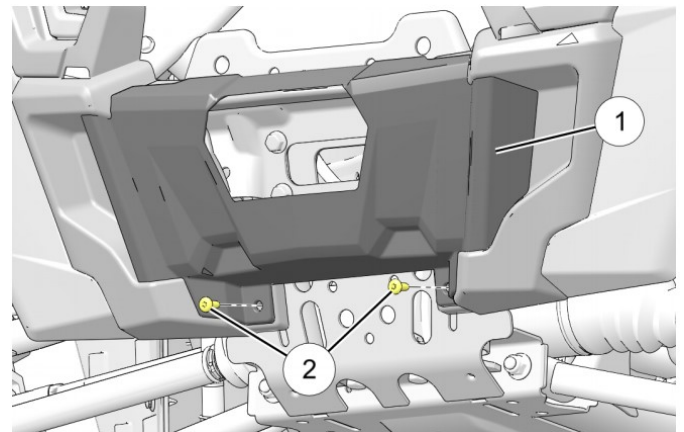
1. Shift vehicle transmission into "PARK". Turn key to "OFF" position and remove from vehicle.
2. Remove front grille by depressing two tabs (A) at top of grille, tip grille slightly outward, then lift to disengage two lower tabs (B) (LH and RH).



3. Remove existing winch cover (lower front fascia) by removing two screws (C), then tilt bottom of cover slightly forward and lift to disengage two upper tabs (D). Screws will not be reused.



4. Install new winch cover (1) by inserting two upper tabs, then installing two screws (2).



5. Reinstall front grille.