

# Folding Side Mirrors FOR POLARIS RZR XP 1000

ZP-YJ-030505-005

## BEFORE YOU BEGIN

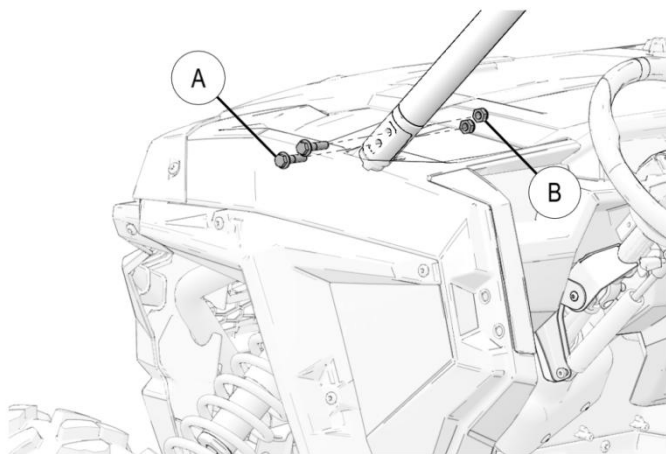
Read these instructions and check to be sure all parts and tools are accounted for. Please retain these installation instructions for future reference.

## IMPORTANT

This FOLDING SIDE MIRRORS KIT is exclusively designed for your vehicle. Please read the installation instructions thoroughly before beginning. Installation is easier if the vehicle is clean and free of debris.

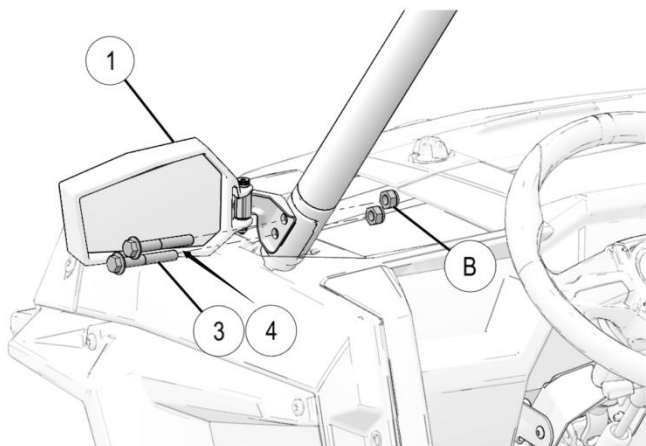
## INSTALLATION INSTRUCTIONS

1. Shift vehicle transmission into "PARK". Turn key to "OFF" position and remove from vehicle.
2. Remove two each screws (A) and nuts (B) from LH ROPS as shown. Nuts will be reused. Screws will not be reused.



3. Install mirror assembly (1) to ROPS using screws identified below and retained nuts (B) as shown:

- 3.1 With windshield accessory: use screws (3).
- 3.2 Without windshield accessory: use screws (4).

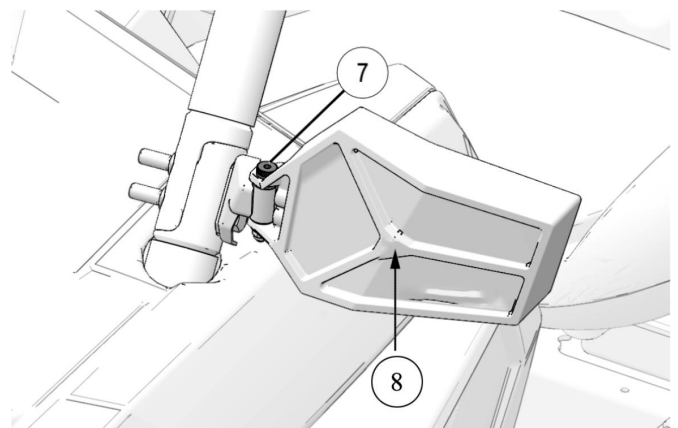


NOTICE: Failure to properly torque fasteners will adversely affect ROPS integrity and may lead to personal injury in an accident.

4. Torque screws (3) or (4) to specification.
5. Repeat Steps 2-4 to install RH side mirror assembly to ROPS.

## 6. ADJUST MIRROR.

6.1 Course mirror adjustment (rotation only) achieved by loosening screw (7) as shown, adjusting mirror, then tightening screw.



6.2 If you find it is hard to adjust the mirror, you can raise the decorative cover (8) with a slotted screwdriver, then adjusting the mirror.