

FRONT BUMPER KIT FOR POLARIS RZR XP

ZP-YJ-030506-008

BEFORE YOU BEGIN

Read these instructions and check to be sure all parts and tools are accounted for. Please retain these installation instructions for future reference.

IMPORTANT

This FRONT BUMPER KIT is exclusively designed for your vehicle. Please read the installation instructions thoroughly before beginning. Installation is easier if the vehicle is clean and free of debris.

INSTALLATION INSTRUCTIONS

1. Shift vehicle transmission into "PARK". Turn key to "OFF" position and remove from vehicle.

PART 1. COMBINE THE BUMPER

1-1. Refer to the parts (A-D) of front bumper in the following image. Mount part B & C to the left & right end of part D, then fix them together using screws in mount hardware package.



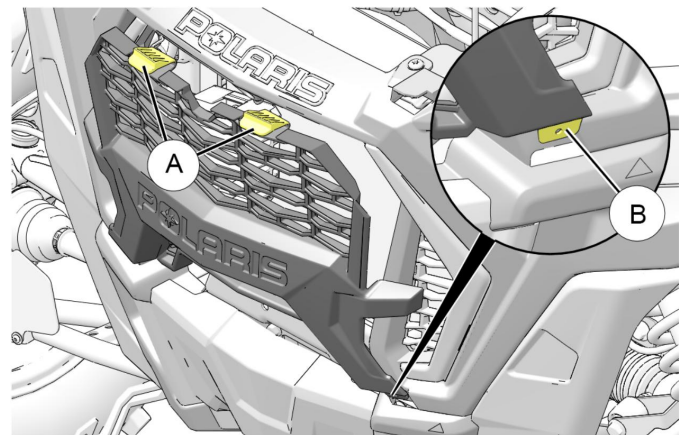
1-2. Mount part A to part D, fix them together using screws in mount hardware package, and form a complete front bumper.



PART 2. MOUNT THE BUMPER

2-1. Gain Access

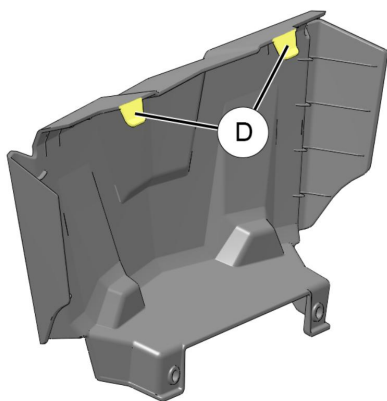
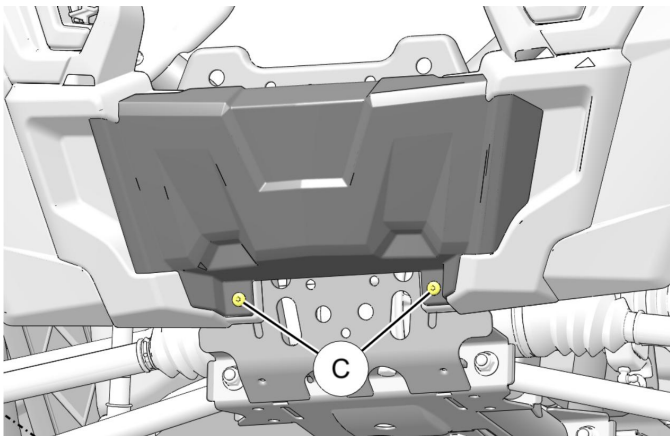
A. Remove front grille by depressing two tabs (A) at top of grille, tip grille slightly outward, then lift to disengage two lower tabs (B) (LH and RH).



B. Remove lower front fascia (winch cover) by removing two screws (C), then tilt bottom of fascia slightly forward and lift to disengage two upper tabs (D). Retain screws.

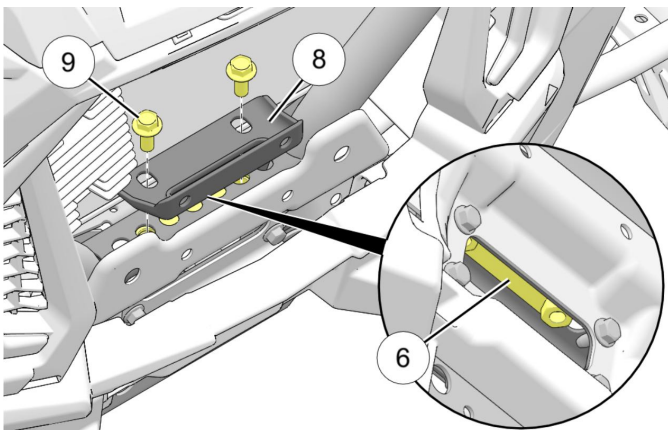
FRONT BUMPER KIT FOR POLARIS RZR XP

ZP-YJ-030506-008

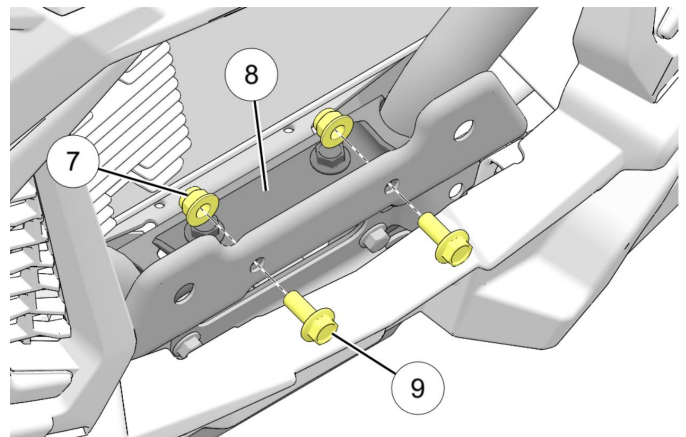


2-2 Install Bumper Support Bracket

A. Loosely install lower leg of bumper support bracket (8) to suspension support structure using two screws (9) and nut plate (6). Ensure bracket is centered on suspension support structure.



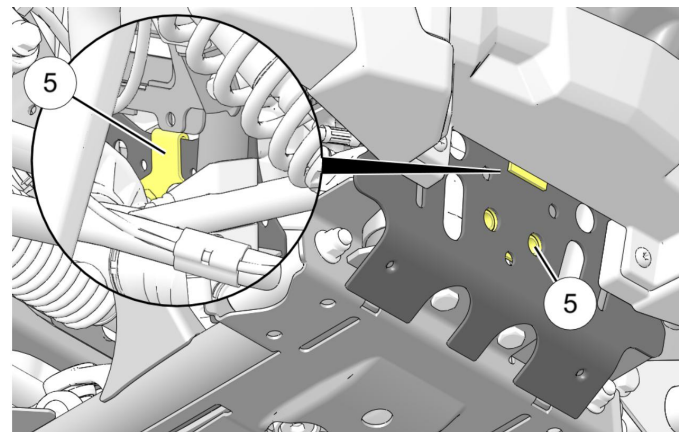
B. Loosely install upper leg of bumper support bracket (8) to suspension support structure using two each screws (9) and nuts (7).



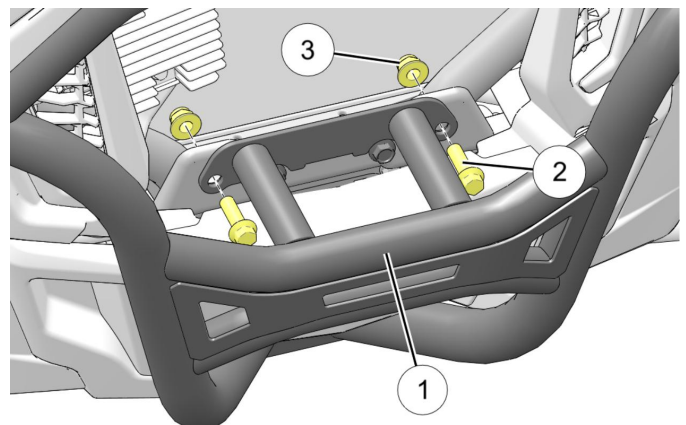
C. Torque all four screws to specification, and re-install lower front fascia using two retained screws (C) in step 2-1(B).

2-3. Hang backer plate (5) on bumper support structure, aligning fastener holes as shown.

NOTICE: Secure backer plate with tape to minimize movement when installing bumper in Step 2-5.



2-4. Loosely install upper portion of bumper (1) to suspension support structure using two each screws (2) and nuts (3).



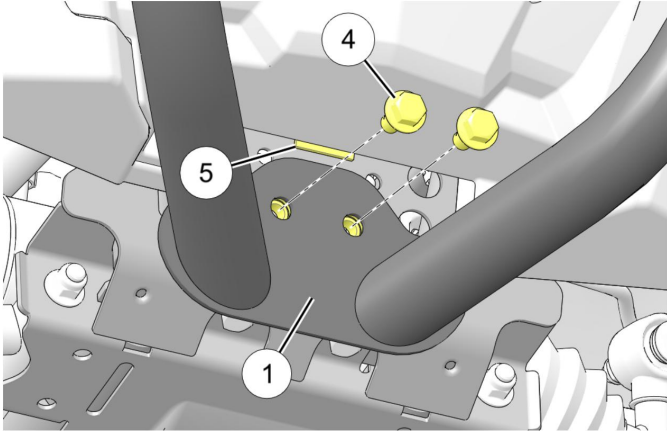
2-5. Install lower portion of bumper (1) to bumper support structure using two screws (4)

FRONT BUMPER KIT FOR POLARIS RZR XP

ZP-YJ-030506-008

into backer plate (5).

NOTICE: Use light force to install screws to prevent backer plate from pivoting rearward.



2-6. Torque screws (2) and (4) to specification.

2-7. Re-install front grille.