

Rear Bumper Kit for Polaris RZR PRO XP

ZP-YJ-030506-0210



BEFORE YOU BEGIN

Read these instructions and check to be sure all parts and tools are accounted for. Please retain these installation instructions for future reference.

IMPORTANT

The Rear Bumper Kit is exclusively designed for your vehicle. Please read the installation instructions thoroughly before beginning. Installation is easier if the vehicle is clean and free of debris. For your safety, and to ensure a satisfactory installation, perform all installation steps correctly in the sequence shown.

INSTRUCTIONS

ASSEMBLY



1. Assemble parts 1, 2 and 3 together with two M8 * 50 hexagon socket screws, two M8 locknuts.



2. Assemble parts 4, 5 and 7 together with four M8*55 hexagon socket screws and four M8 locknuts.



3. Secure part 6 with four M8*20 hexagon socket screws and four M8 locknuts.



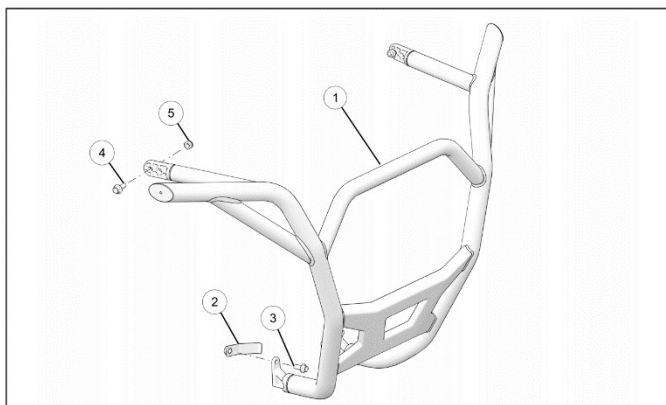
4. Assemble two parts 8 on the bar body with two M8*50 hexagon socket screws and two M8 locknut.

Rear Bumper Kit for Polaris RZR PRO XP

ZP-YJ-030506-0210



KIT CONTENTS



TOOLS REQUIRED

- Safety Glasses
- Socket Set, Metric
- Torque Wrench

INSTALLATION INSTRUCTIONS

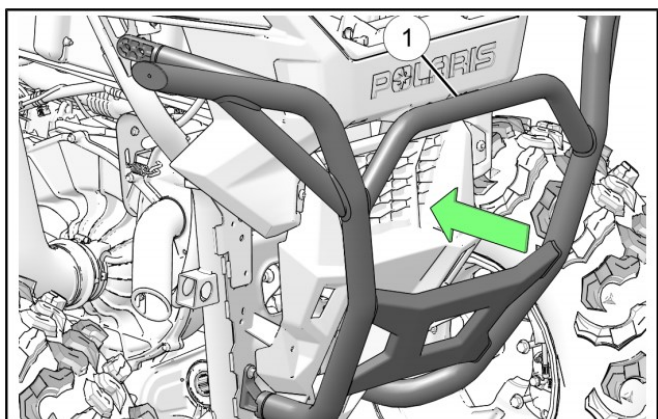
VEHICLE PREPARATION

GENERAL

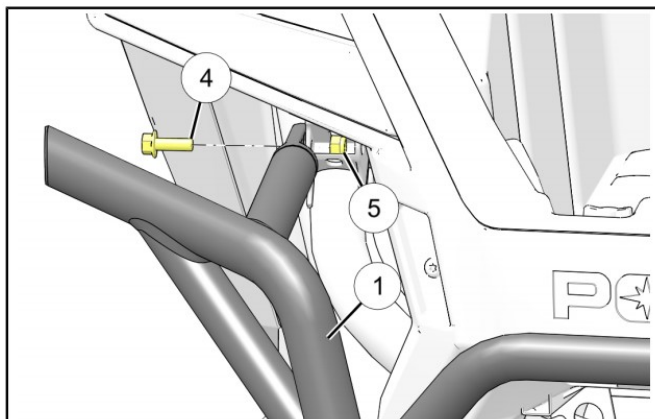
1. Shift vehicle transmission into PARK. Turn ignition switch to OFF position and remove key.

ACCESSORY INSTALLATION

1. With an assistant, align bumper 1 with vehicle rear. Align bumper-arms on outside of two C-pillar brackets and lower-bumper with rear transmission bracket, as shown.

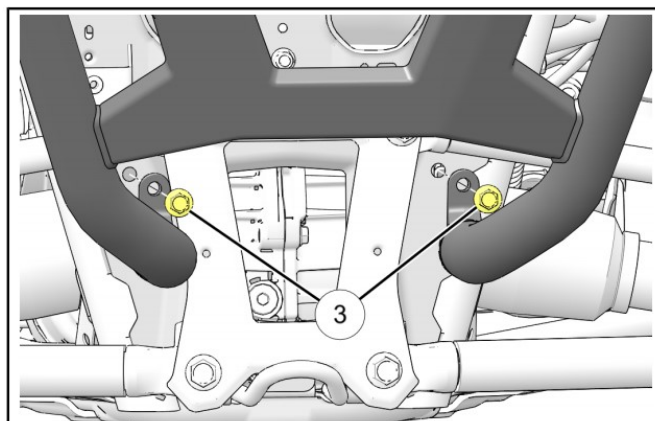


2. Place one nut 5 within each C-pillar bracket and install bumper 1 with one bolt 4 per side.



3. Place two bolts 3 through lower bumper mounts and into rear transmission bracket.

Do not torque bolts at this time.



4. Complete lower bumper installation with two plate-nuts 2, placed on backside of rear transmission bracket. Ensure bend in plate-nuts 2 face inward and wrap around opening in rear transmission bracket.

Rear Bumper Kit for Polaris RZR PRO XP

ZP-YJ-030506-0210

