

# Sport Hard Roof FOR Polaris Ranger 570 Mid Size

ZP-YJ-030507-013



## BEFORE YOU BEGIN

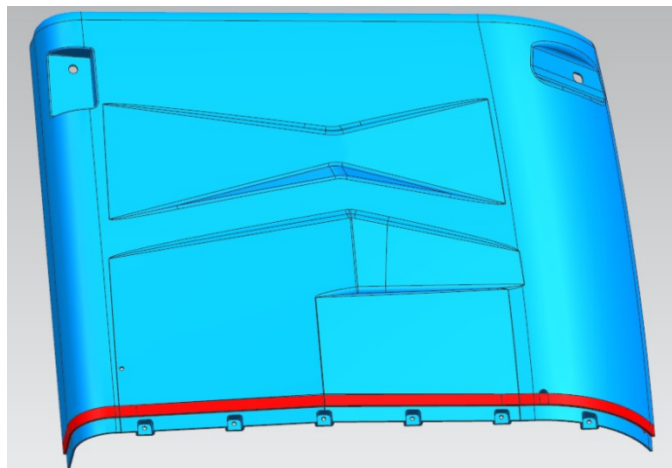
Read these instructions and check to be sure all parts and tools are accounted for. Please retain these installation instructions for future reference.

## IMPORTANT

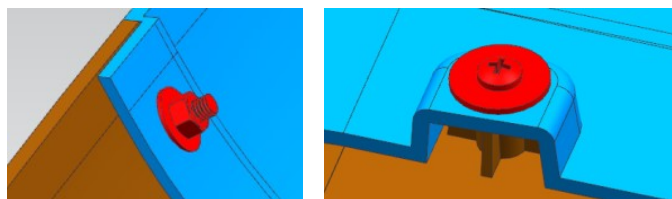
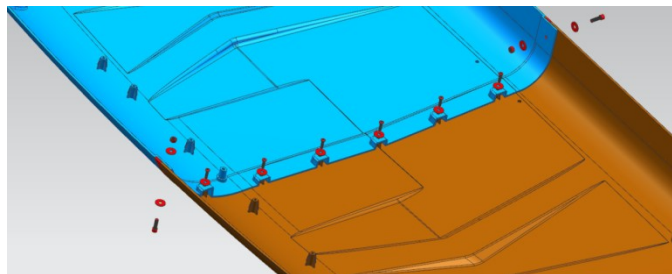
This SPORT HARD ROOF KIT is exclusively designed for your vehicle. Please read the installation instructions thoroughly before beginning. Installation is easier if the vehicle is clean and free of debris.

## INSTALLATION INSTRUCTIONS

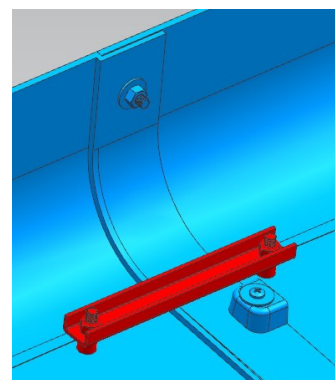
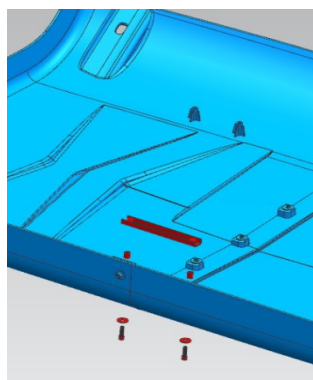
1. Shift vehicle transmission into "PARK". Turn key to "OFF" position and remove from vehicle.
2. Apply the single-sided adhesive foam pad to the roof of the vehicle.



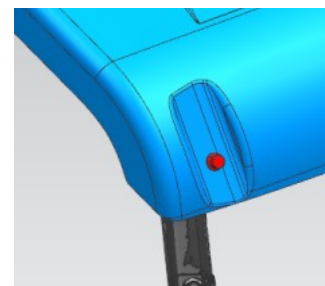
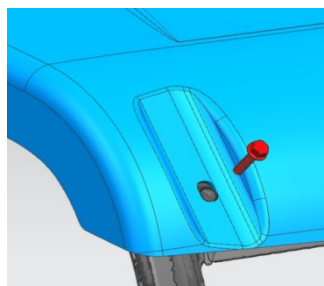
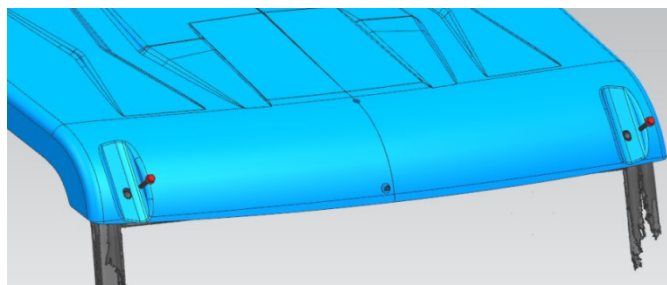
3. Use self-tapping screws 6x16 and hexagonal screws M6x20 to assemble the two halves of the roof together.



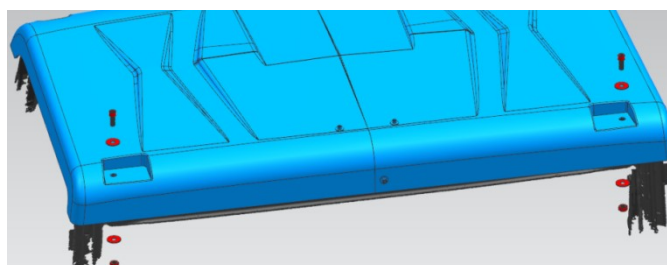
4. Mount the U-bracket on the roof of the vehicle.



5. Unscrew the two screws in the front section of the frame and set aside. Install the roof on the frame.

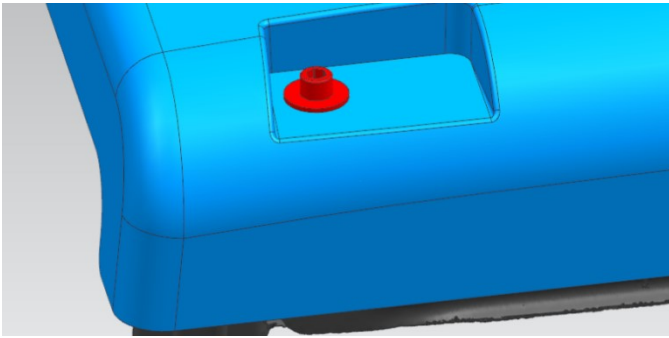


6. Use M10X25 screws to fix the back of the roof to the frame.

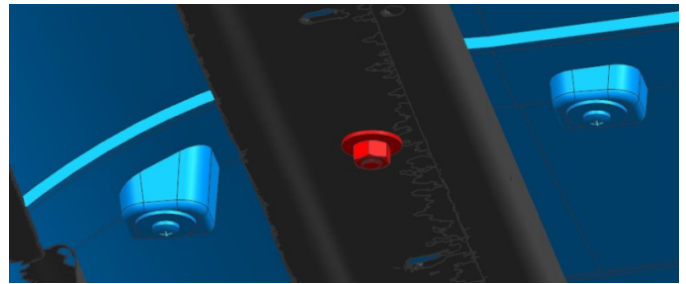


# Sport Hard Roof FOR Polaris Ranger 570 Mid Size

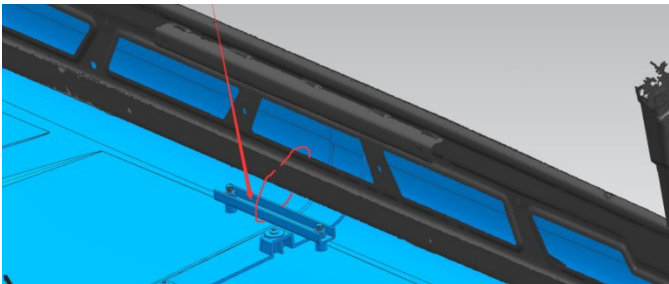
ZP-YJ-030507-013



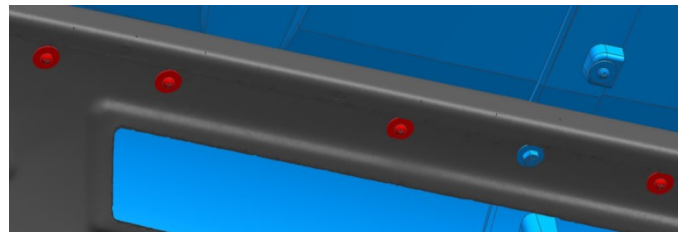
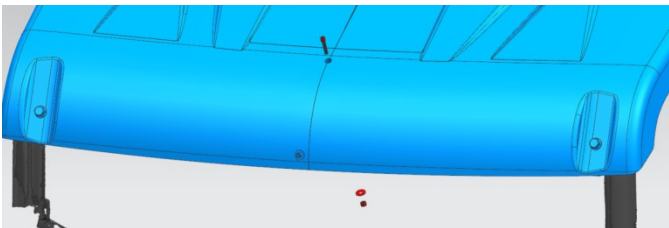
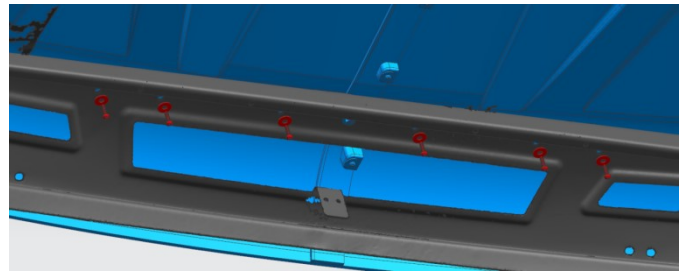
7. Tie up with magic tape at the designated position in the picture.



9. Fix the front end of the roof to the frame with 6x16 self-tapping screws.



8. Use M6X30 screws to fix the front of the roof on the frame.



Installation completed.