

# REAR STORAGE BOX FOR POLARIS RZR PRO R

ZP-YJ-030508-014

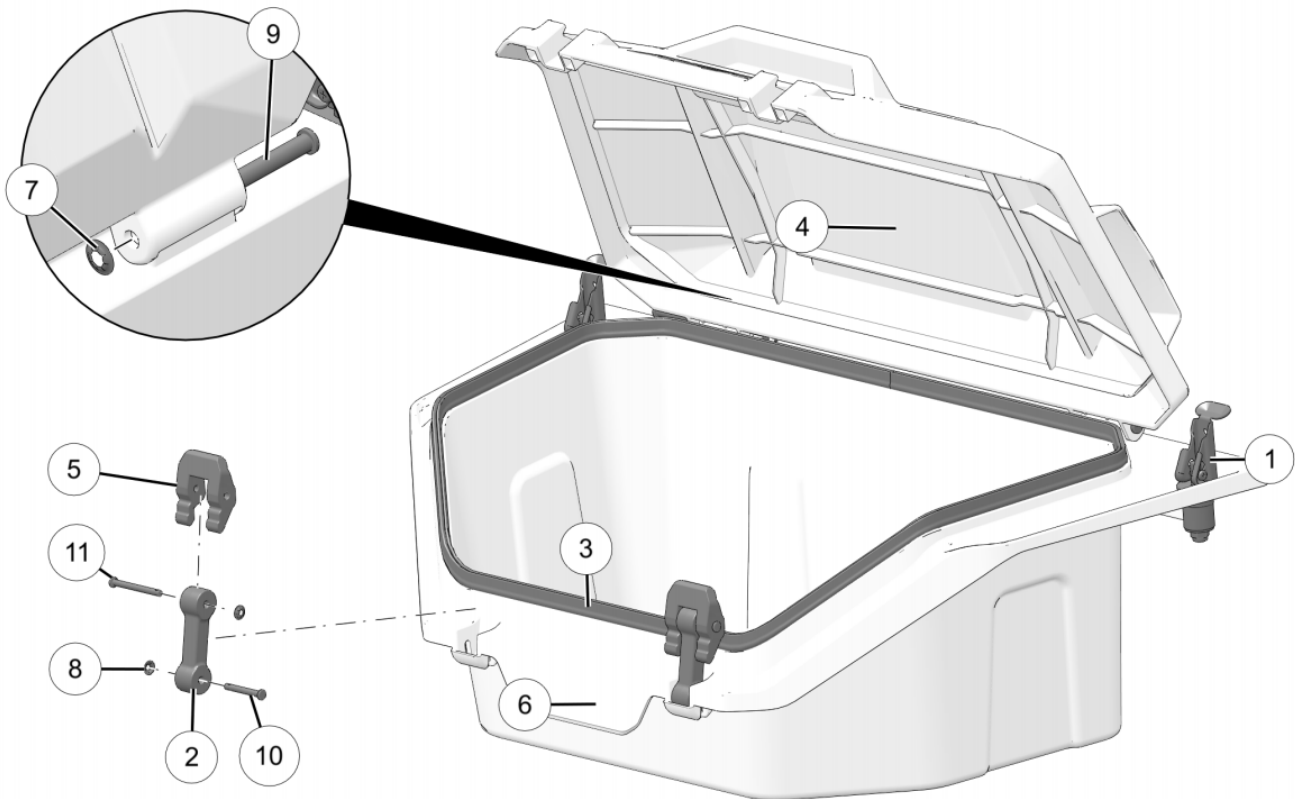


## BEFORE YOU BEGIN

Read these instructions and check to be sure all parts and tools are accounted for. Please retain these installation instructions for future reference.

## IMPORTANT

This Storage Box is exclusively designed for your vehicle. Please read the installation instructions thoroughly before beginning. Installation is easier if the vehicle is clean and free of debris.



## INSTALLATION INSTRUCTIONS

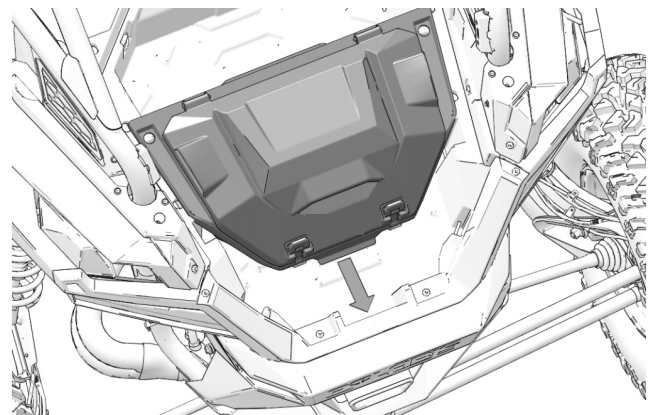
### VEHICLE PREPARATION

Note: Shift vehicle transmission into "PARK". Turn key to "OFF" position and remove from vehicle.

1. Remove Front Storage Box Kit (if equipped) and set aside for re-installation after installing Rear Storage Box Kit.

### ACCESSORY INSTALLATION

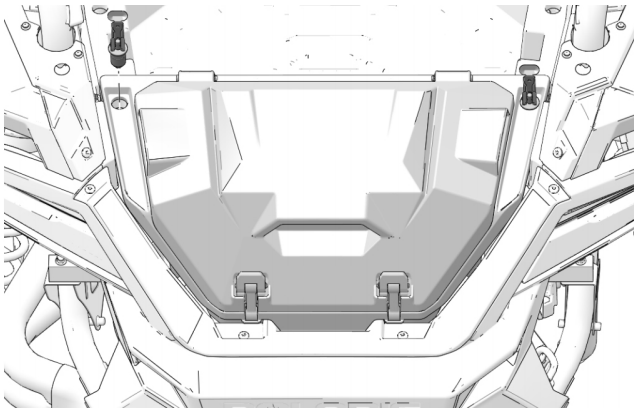
1. Place pre-assembled storage box in rear-most part of cargo box. Hook front of storage box under lip of cargo box and make sure Lock & Ride storage box holes are aligned with mounting holes in rear box.



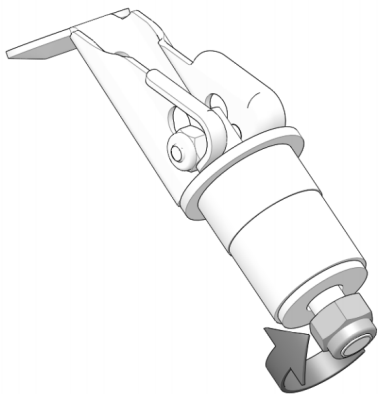
2. Place two Lock & Ride assemblies in two aligned mounting holes.

# REAR STORAGE BOX FOR POLARIS RZR PRO R

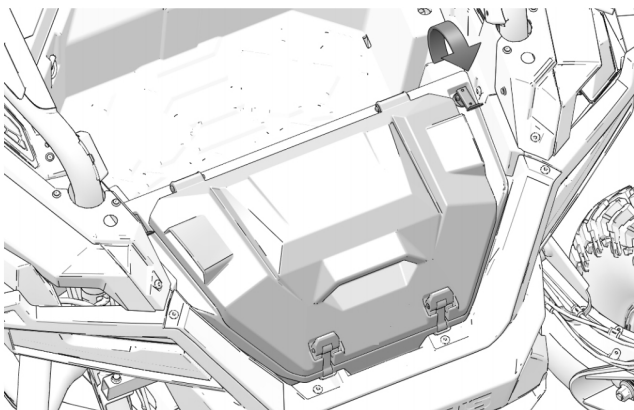
ZP-YJ-030508-014



3. Lock & Ride assemblies may need adjustment.  
Tighten or loosen bottom nut depending on fitment.



4. Make sure Lock & Ride assemblies are fully seated before closing top lever and securing storage box.



5. Reinstall Front Storage Box Kit, if equipped