

LED Signature Light Kit for Can-Am Defender



ZP-YJ-030602-005

BEFORE YOU BEGIN

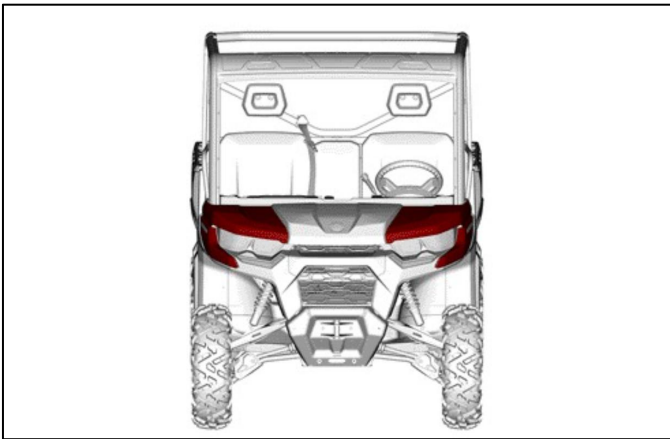
Read these instructions and check to be sure all parts and tools are accounted for. Please retain these installation instructions for future reference.

IMPORTANT

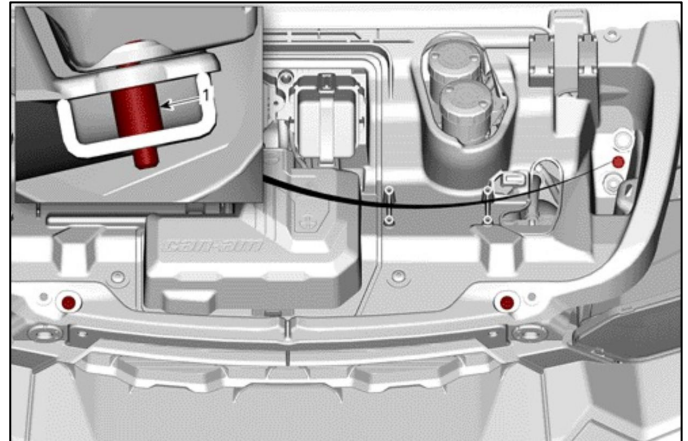
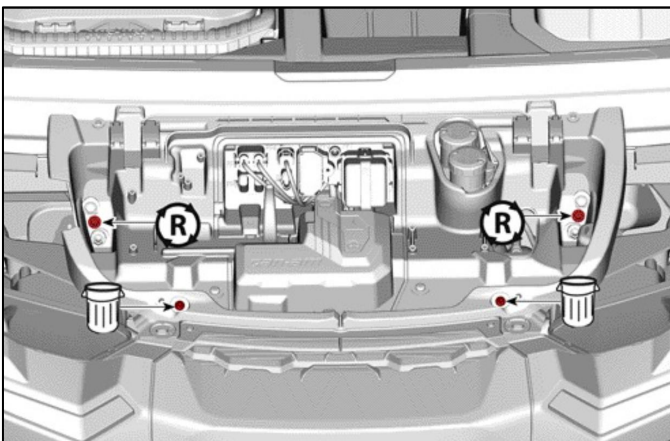
This LED SIGNATURE LIGHT KIT is exclusively designed for your vehicle. Please read the installation instructions thoroughly before beginning. Installation is easier if the vehicle is clean and free of debris.

INSTALLATION INSTRUCTIONS

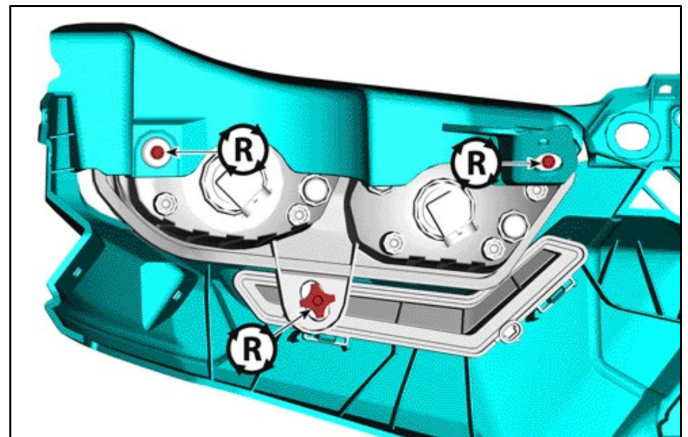
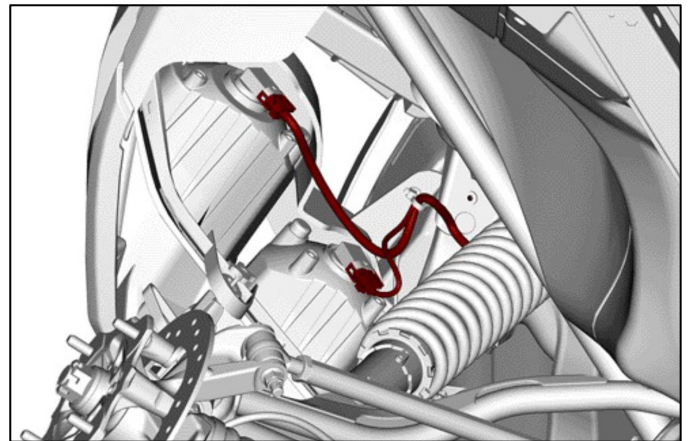
1. Shift vehicle transmission into "PARK". Turn key to "OFF" position and remove from vehicle.
2. Remove front fenders.



3. Remove the following screws. NOTE: Ensure the spacers located underneath the service panel are kept in place when removing the screws.



4. Disconnect headlight harness. Remove front headlight by removing the screws and adjustment knob.



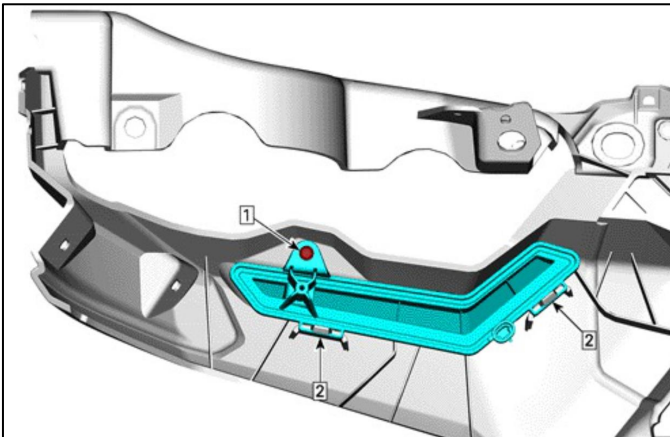
5. Remove cover by removing the screw and

LED Signature Light Kit for Can-Am Defender

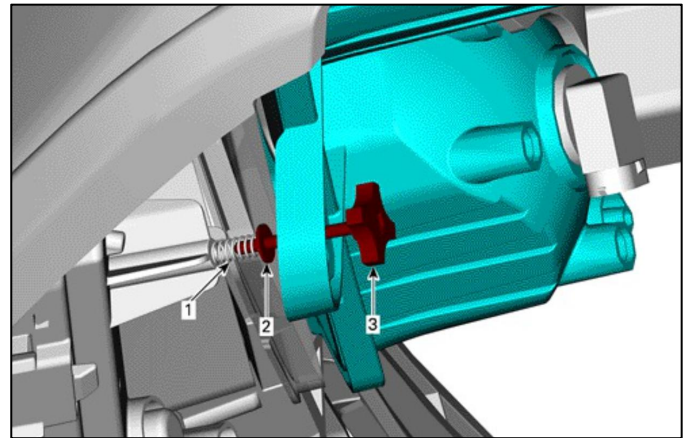


ZP-YJ-030602-005

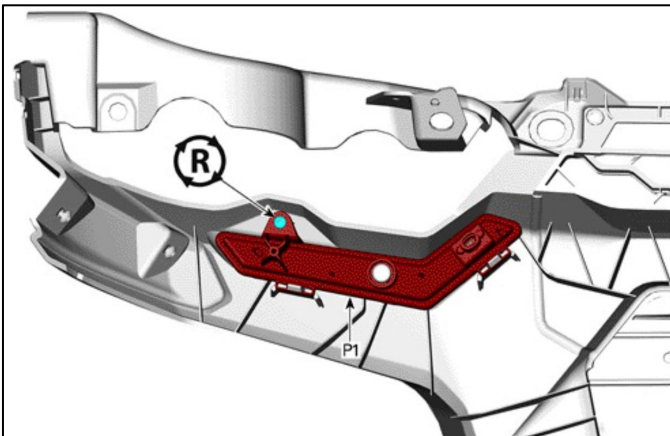
undoing the lower clips.



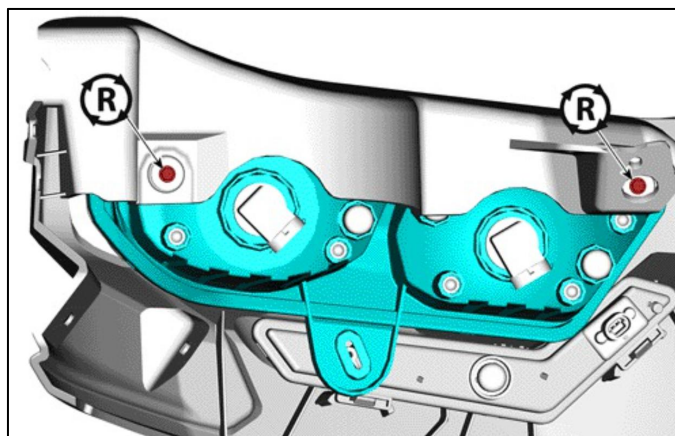
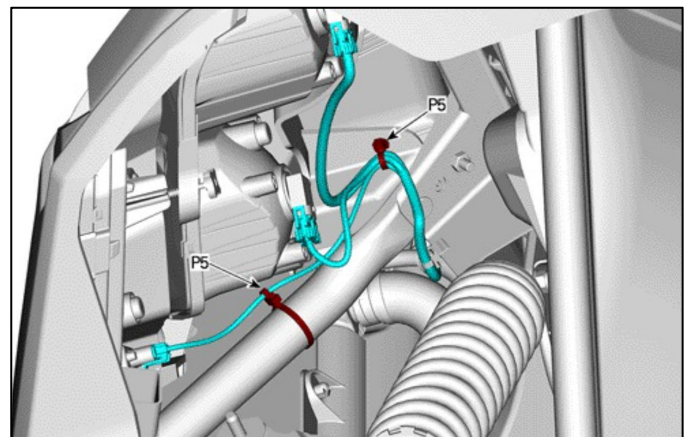
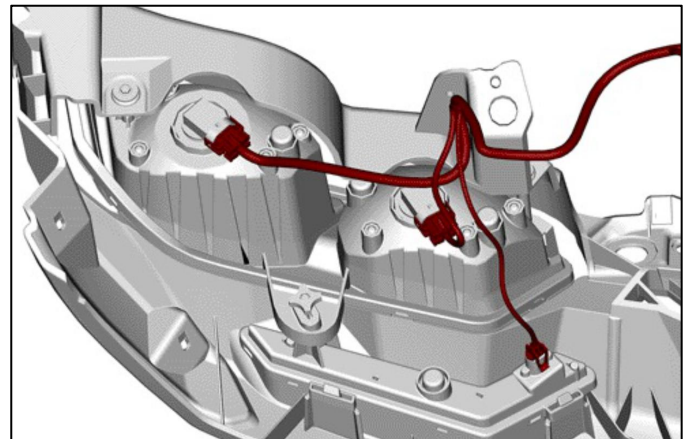
6. Install LED signature lights, secure using the previously removed screw. Tighten to specification.



9. Connect headlights and signature light connectors. Secure harness using locking tie.



7. Reinstall headlight and secure using the previously removed screws and washers. Tighten to specification.



8. Reinstall the adjustment knob with washer and spring.

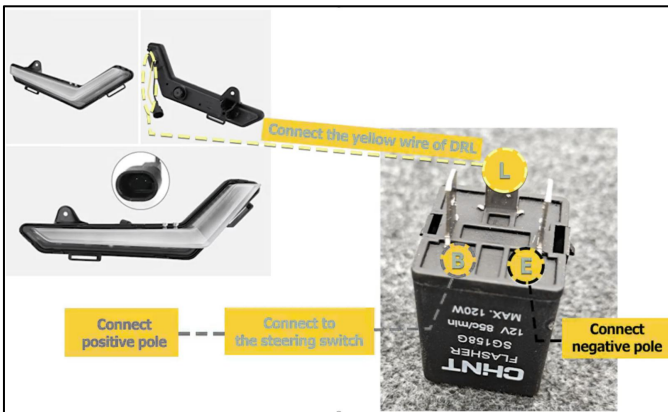
10. Connect the red (or yellow) wire on the light to the flasher, and then connect the flasher to the steering switch. If the wire is not long enough, use the white extension wires.

NOTE: The flasher and steering switch are not included in the package, please prepare them before your installation.

LED Signature Light Kit for Can-Am Defender

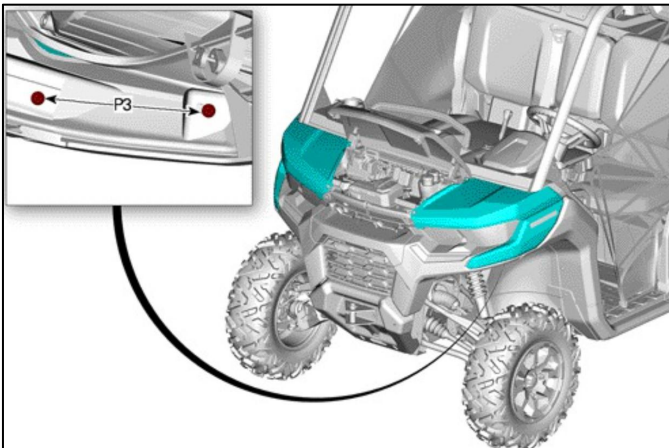


ZP-YJ-030602-005



NOTICE: The above image is just an example. Please connect the wire according to the actual wiring method of the flasher and steering switch.

11. Reinstall front fenders using the previously removed plastic rivets and M6X25 screws. Tighten to specification.



12. Secure front fascia using M6 X 20 screws. Tighten to specification. NOTICE: Ensure the spacers located underneath the service panel are still in place.

