

CARGO BED RAILS FOR CAN AM DEFENDER

ZP-YJ-030603-047



BEFORE YOU BEGIN

Read these instructions and check to be sure all parts and tools are accounted for. Please retain these installation instructions for future reference.

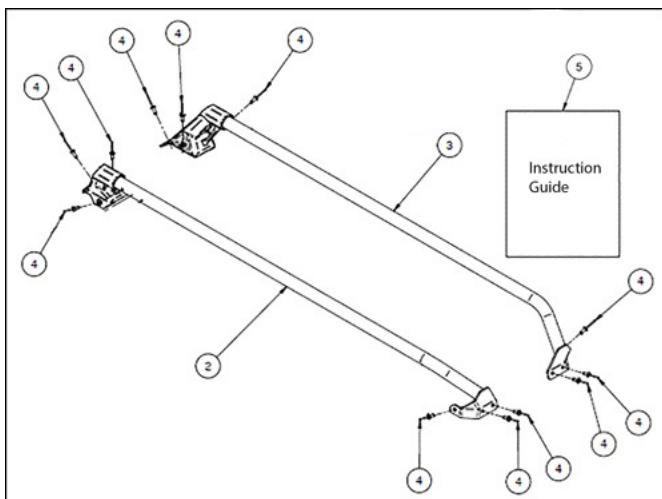
IMPORTANT

This CARGO BED RAILS KIT is exclusively designed for your vehicle. Please read the installation instructions thoroughly before beginning. Installation is easier if the vehicle is clean and free of debris.

INSTALLATION INSTRUCTIONS

NOTE: Shift vehicle transmission into "PARK". Turn key to "OFF" position and remove from vehicle.

PARTS TO BE INSTALLED



Step 1: Joint the two pieces of one rail

1. Insert the two red circle position of the right side rail to each other, align the mounting hole.



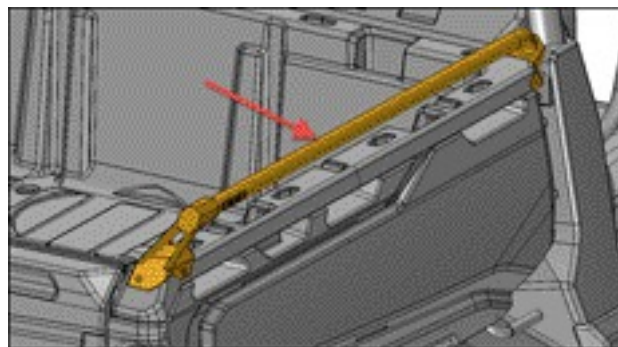
2. Use the hexagon bolt of M6*40 and check nut, joint the two pieces of the rail together.



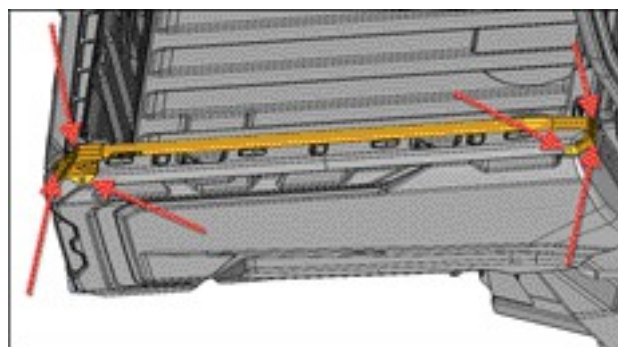
3. Repeat the Step 1-2 for the second side rail on the left side of the bed.

Step 2: Positioning, marking and drilling

1. Place the right side rail (#02) on the right side of the vehicle bed.



2. While firmly pressing the rail against the vehicle bed, mark the six (6) holes to be drilled with a color marker using the existing holes in the side rail as a template.

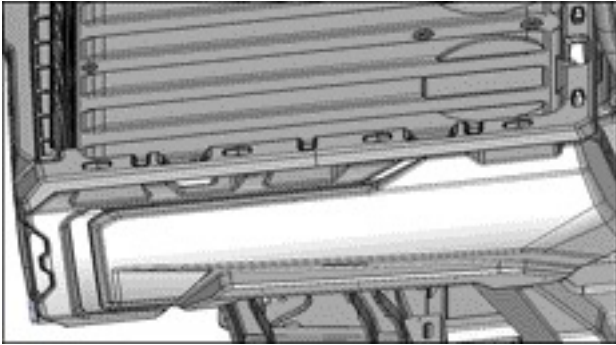


CARGO BED RAILS FOR CAN AM DEFENDER

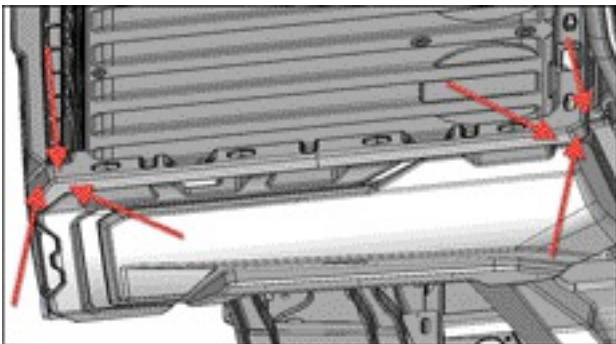
ZP-YJ-030603-047



3. Remove the side rail.



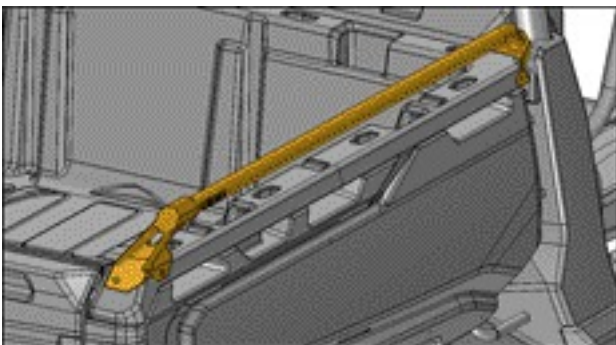
4. Punch the vehicle bed where the six (6) marks were made.



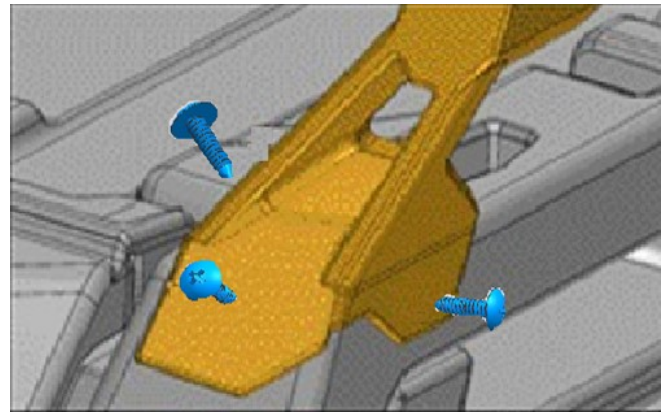
5. Screw it with self-tapping screws.

Step 3: Positioning and installing

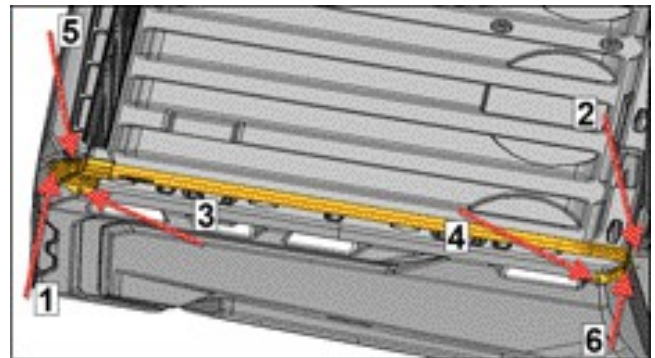
1. Place the right side rail (#02) on the vehicle.



2. Screw in six Ø 5 mm self-tapping screws.



NOTE: The numbering in the picture below shows the installing sequence.



3. Repeat these steps to install the second side rail on the left side of the bed.

