

# Combined Roof Kit FOR Can-Am Trail / Commander

ZP-YJ-030607-004



## BEFORE YOU BEGIN

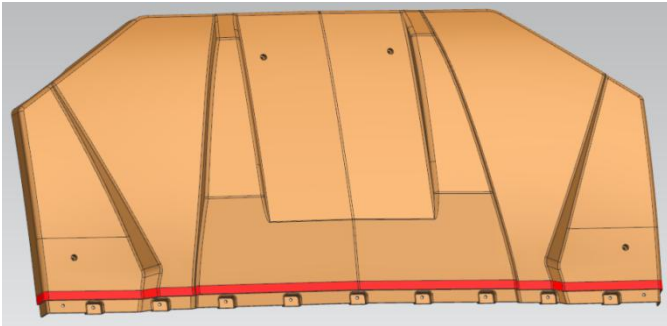
Read these instructions and check to be sure all parts and tools are accounted for. Please retain these installation instructions for future reference.

## IMPORTANT

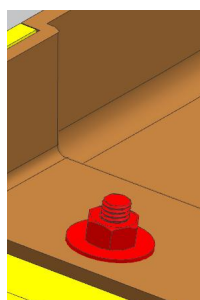
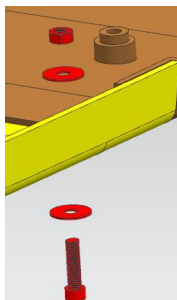
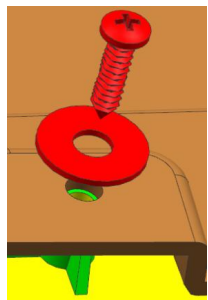
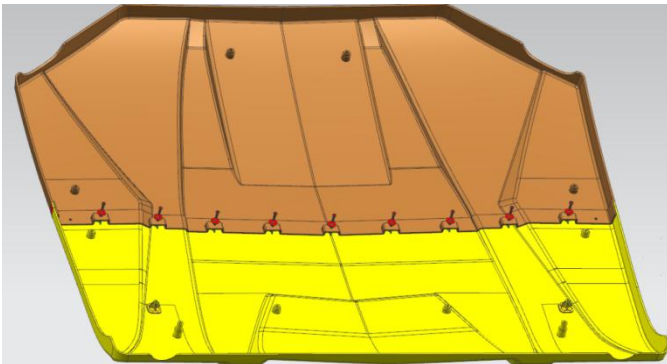
This COMBINED ROOF KIT is exclusively designed for your vehicle. Please read the installation instructions thoroughly before beginning. Installation is easier if the vehicle is clean and free of debris.

## INSTALLATION INSTRUCTIONS

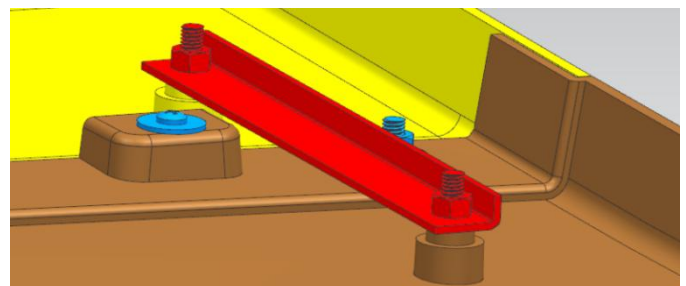
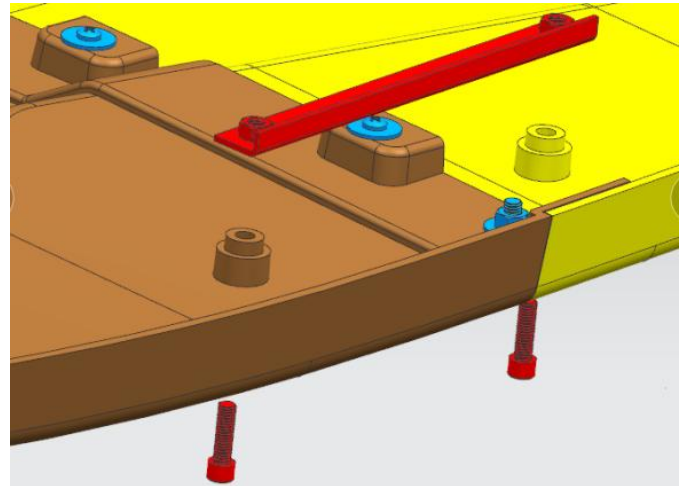
1. Shift vehicle transmission into "PARK". Turn key to "OFF" position and remove from vehicle.
2. Apply the single-sided adhesive seal to the product.



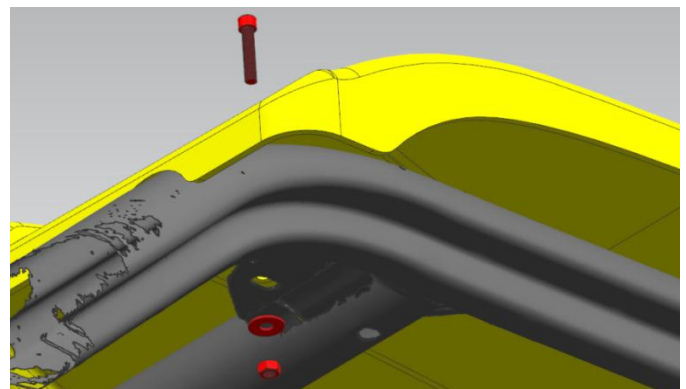
3. The front roof and the middle of the rear roof are fastened with nine 6x16 self-tapping screws. Both ends are fastened with screw nuts.



4. Install the iron brackets on both sides of the roof as shown in the figure.

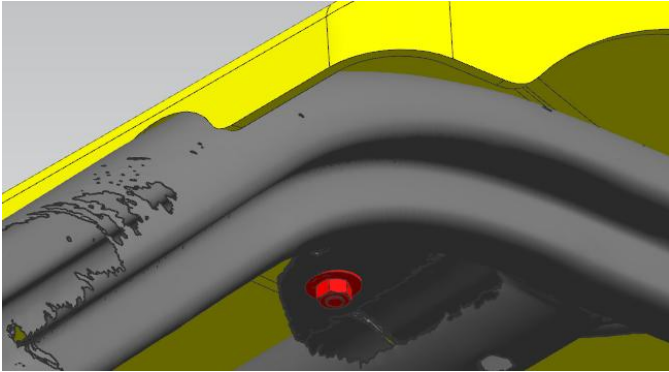


5. Bolt the front part of the roof to the frame as shown.

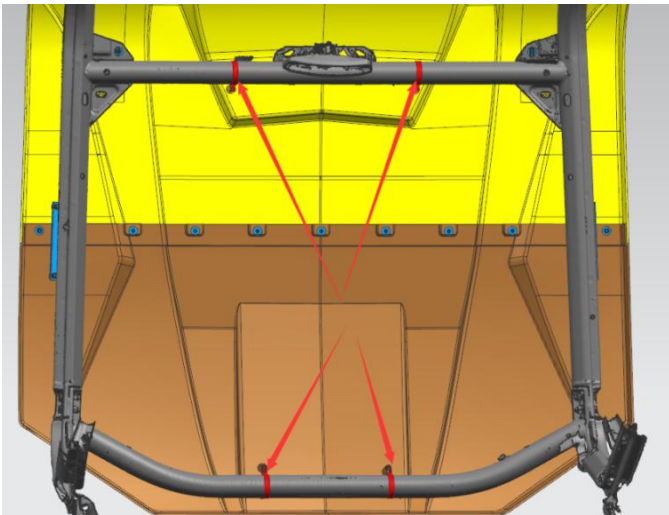


# Combined Roof Kit FOR Can-Am Trail / Commander

ZP-YJ-030607-004



6. The front and rear of the roof are fixed with hoops in the middle.



NOTEICE: M6X30 Screw.

7. Use the Velcro bag to tie the iron brackets at the ends of the roof to the frame. Roof installation is complete.

