

LOWER DOOR PANELS FOR HONDA TALON 1000

ZP-YJ-030909-002

BEFORE YOU BEGIN

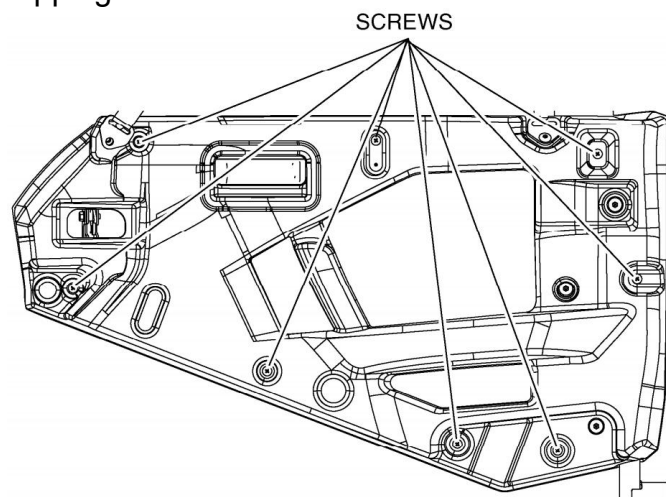
Read these instructions and check to be sure all parts and tools are accounted for. Please retain these installation instructions for future reference.

IMPORTANT

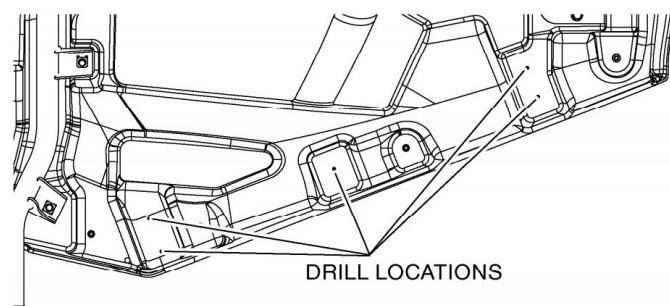
This LOWER DOOR PANELS KIT is exclusively designed for your TALON. Please read the installation instructions thoroughly before beginning. Installation is easier if the vehicle is clean and free of debris.

INSTALLATION INSTRUCTIONS

1. Shift vehicle transmission into "PARK". Turn key to "OFF" position and remove from vehicle.
2. Remove door cover from the door panel by removing 8 tapping screws in the locations shown in below image. Set the door cover and tapping screws aside for reuse.



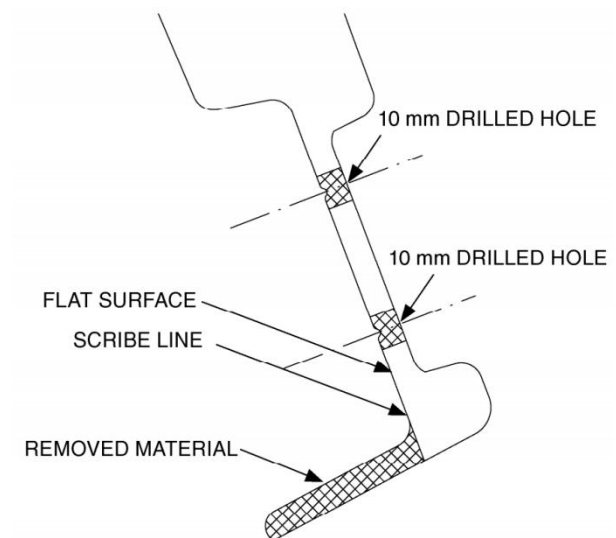
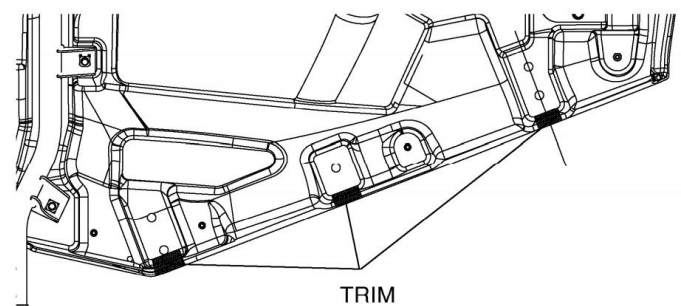
3. Drill 5 10mm holes in the original door panel at the locations shown in the following image. There is a locating dot in the center of each drilling point on the outside of the door panel. Use a file to remove any burrs from around the drilled holes.



4. Trim the 3 locations shown in below image using a rotary tool, then use a carbide burr or file to finish. The bottom edge must be removed

until flush with the flat surface to ensure a good fit.

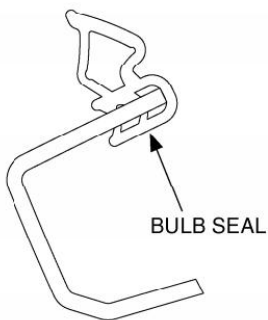
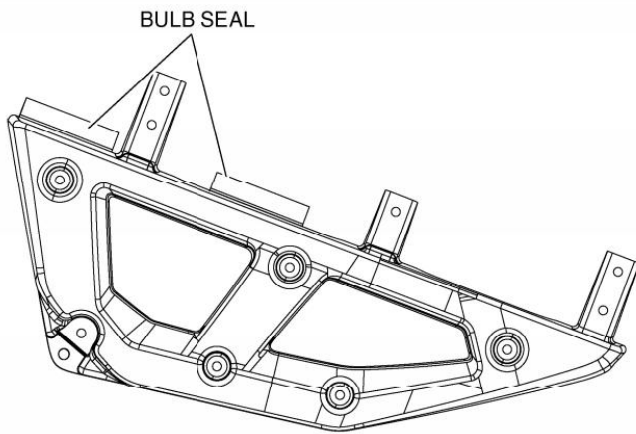
Note: Don't trim beyond the scribe line or the fit may be loose. First, cut inside the scribe line, then use a carbide burr or file to finish the cut to the scribe line.



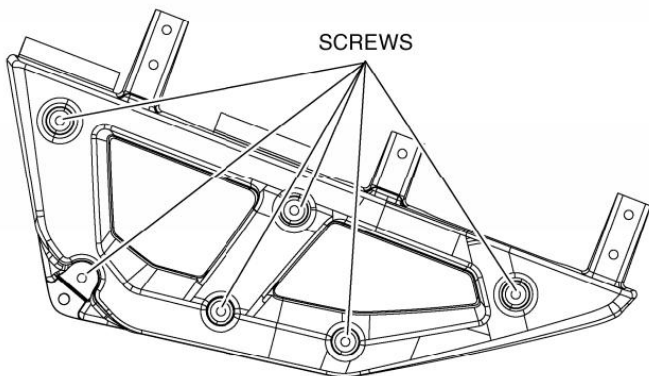
5. Attach 2 bulb seals to each door stay as shown in below images.

LOWER DOOR PANELS FOR HONDA TALON 1000

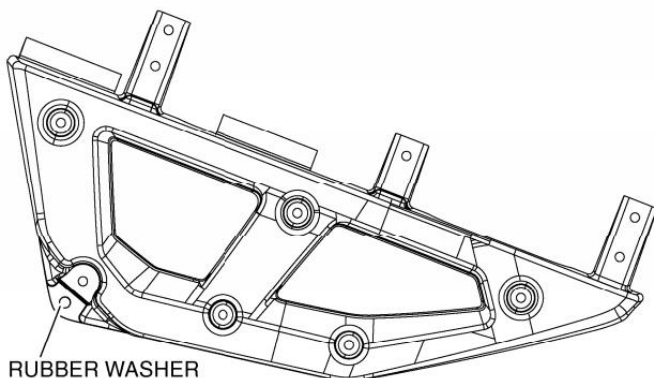
ZP-YJ-030909-002



6. Attach the lower door cover to the door stay using 6 5*12mm tapping screws per side.

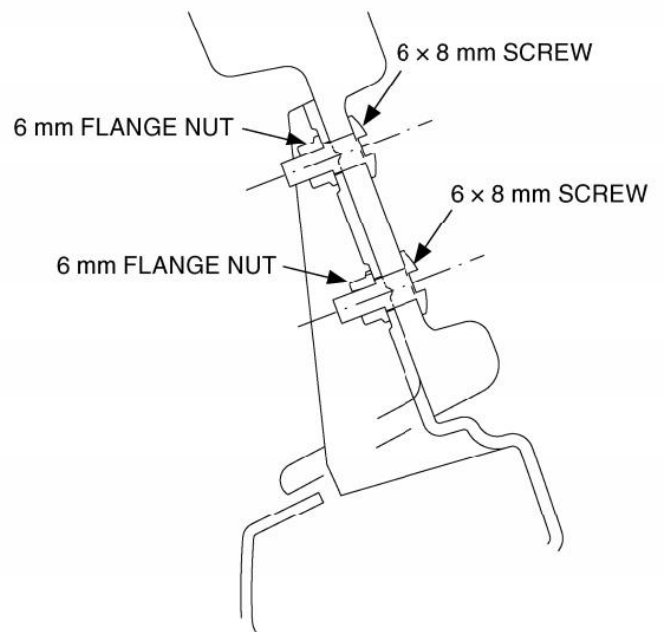
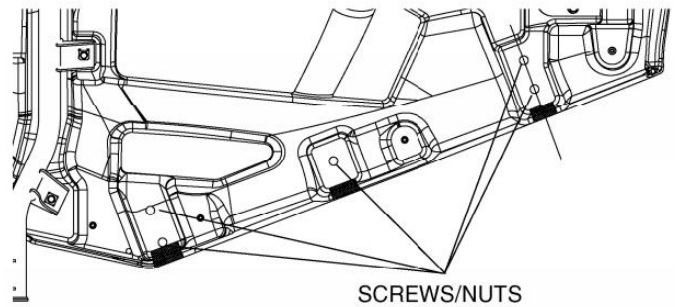


7. Install 1 rubber washer to the location shown in the following image.



8. Attach the door stay to the door panel with 5 6mm flange nuts and 5 6*8mm screws as

shown in the following images.



SECTION CC

9. Attach the original door cover in the reverse order of removal using the 8mm tapping screws from step 2.

10. Repeat all steps on the other door.