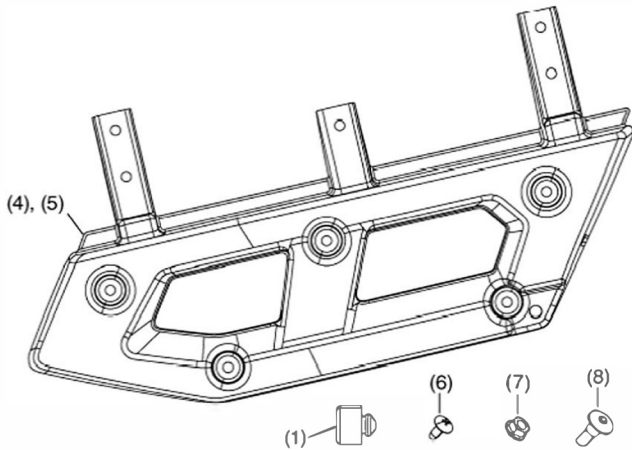
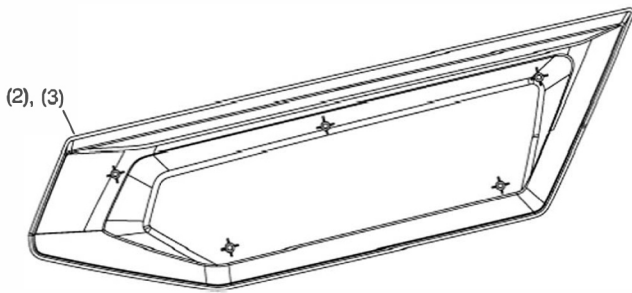


PARTS LIST



No.	Description	Qty
(1)	Rubber washer	2
(2)	Rear Lower door cover Passenger side	1
(3)	Rear Lower door cover Driver side	1
(4)	Rear Door stay Passenger side	1
(5)	Rear Door stay Driver Side	1
(6)	5 × 12 mm tapping screw	10
(7)	6 × 8 mm screw	10
(8)	6 mm flange nut	10

TOOLS AND SUPPLIES REQUIRED

Philips head screwdriver

5 mm Hex wrench

Torque wrench

Socket, 10 mm

Ratchet

Drill

Drill bit, 10 mm

Rotary tool

File

TORQUE CHART

Tighten all screws, bolts, and nuts to their specified torque values. Refer to the Service Manual for the torque values of the removed parts.

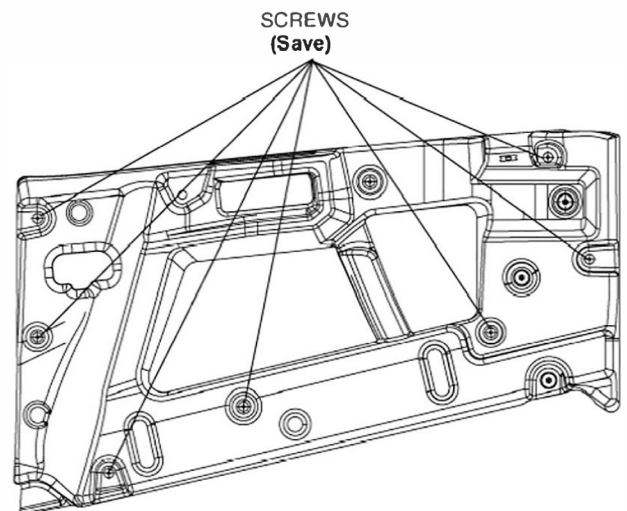
Item	N·m	kgf·m	lbf·ft
6 × 8 mm screw	9	0.9	7
5 × 12 mm tapping screw	1	0.1	0.8

USE AND CARE INFORMATION

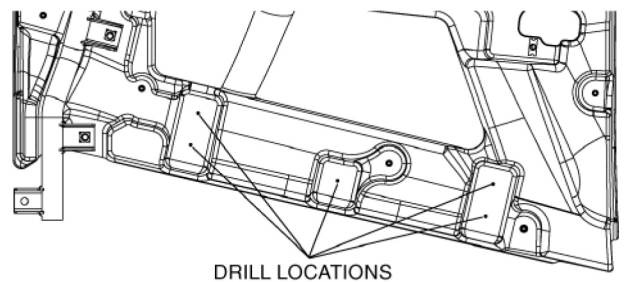
Check the accessory mounts frequently and retighten if necessary.

INSTALLATION

1. Remove the door cover from the door panel by removing eight tapping screws from the locations shown. Set the door cover and tapping screws aside for reuse.

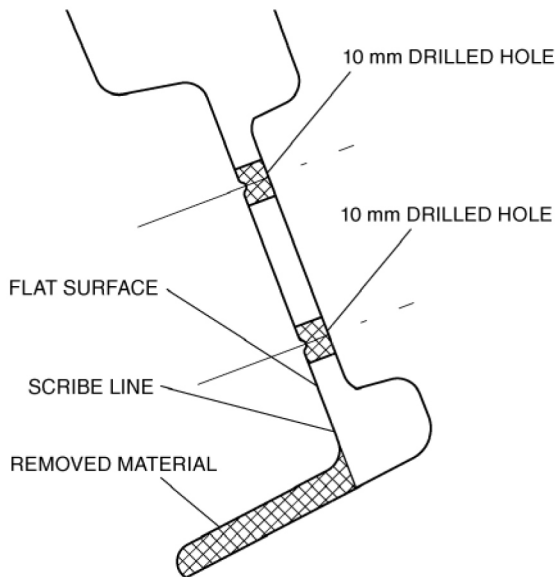
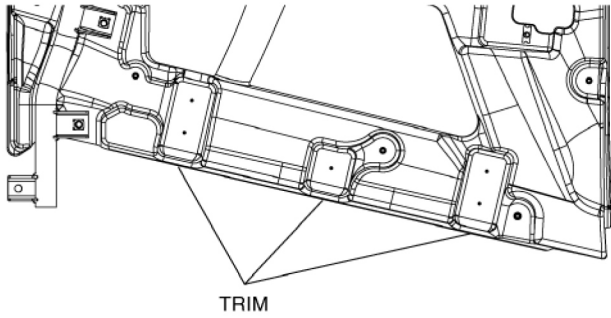


2. Drill five 10 mm holes in the original door panel at the locations shown below. There is a locating dot in the center of each drilling point on the outside of the door panel. Use a file to remove any burrs from around the drilled holes.

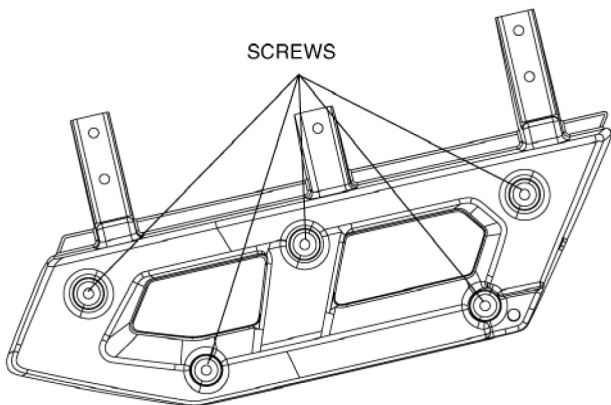


- Trim the three locations shown below. The bottom edge must be removed until flush with the flat surface to ensure a good fit. Trim using a rotary tool, then use a carbide burr to remove the plastic from the edge to the scribe line.

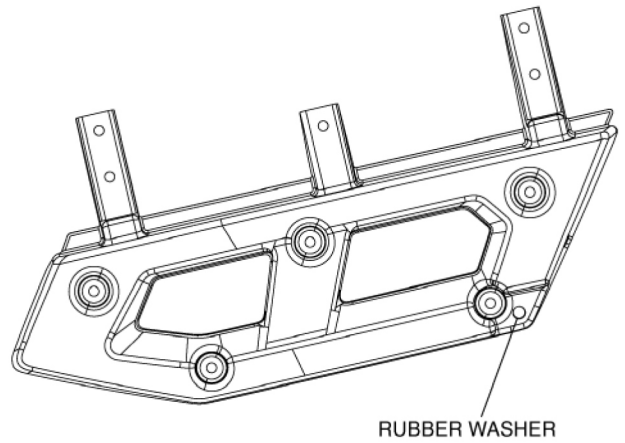
NOTE: Trim inside of the scribed line, then use a file to clean up the edge. Additional trimming may be needed to improve fit.



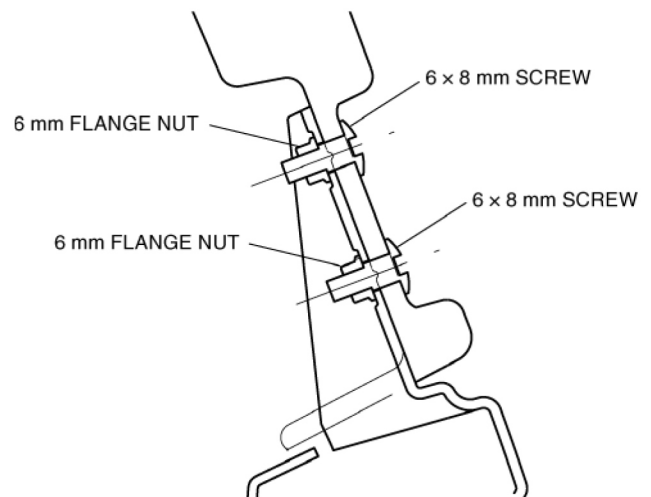
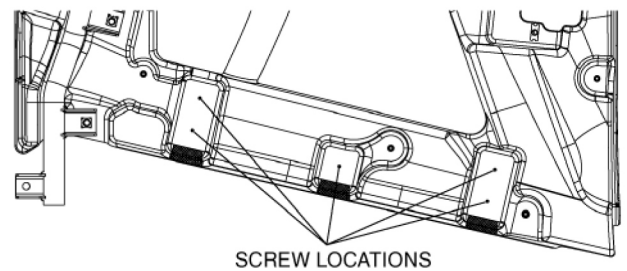
- Attach the Lower door cover to the door stay using six 5 × 12 mm tapping screws per side.



- Install one rubber washer at the location shown.



- Attach the door stay to the door panel using five 6 × 8 mm screws and five 6 mm flange nuts as shown. Insert the screw from the inside of the door so the nut is on the outside of the vehicle.



- Attach the original door cover in the reverse order of removal using the eight tapping screws from step 1.
- Repeat all steps on the other door.