

# Side Mirrors FOR CAN-AM Maverick X3, X3 MAX

ZP-YJ-030605-003



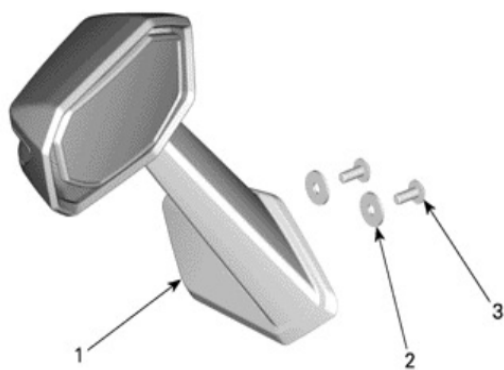
## BEFORE YOU BEGIN

Read these instructions and check to be sure all parts and tools are accounted for. Please retain these installation instructions for future reference.

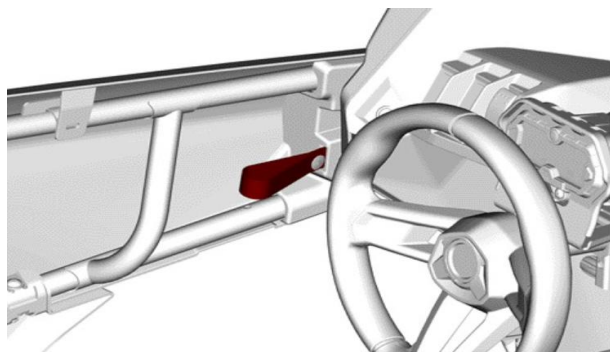
## IMPORTANT

This SIDE MIRRORS KIT is exclusively designed for your vehicle. Please read the installation instructions thoroughly before beginning. Installation is easier if the vehicle is clean and free of debris.

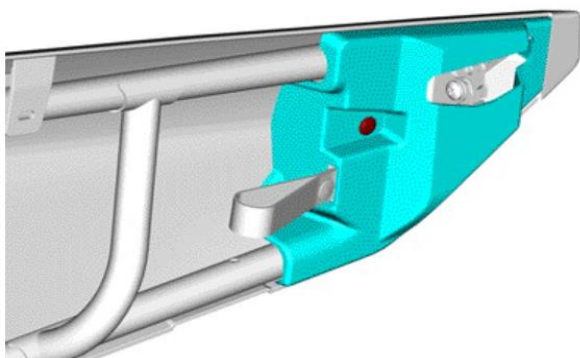
## INSTALLATION INSTRUCTIONS



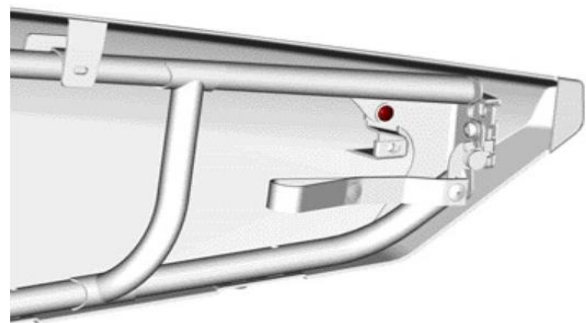
**NOTE:** Pull on the strap to release the latch and unlock the door.



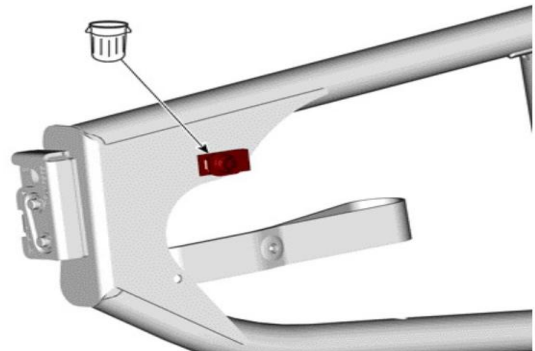
1. Remove the screw and the cover latch located inside the door. Keep the parts for re installation.



2. Remove the following screw.

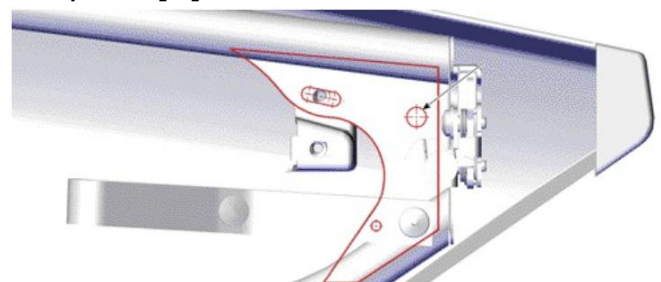


3. Remove and discard the panel nut.



For the next steps, use appropriate printable template according to SSV model.

4. Drill the door latch support using the template [A] and the drill bit T1 as shown.



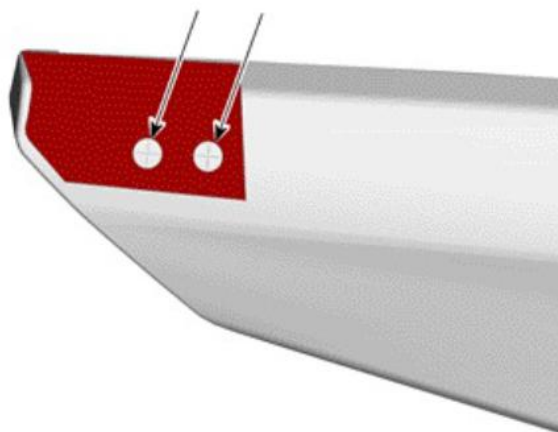
5. Drill the door panel using the template [B] and the hole saw T2 as shown.

# Side Mirrors FOR CAN-AM Maverick X3, X3 MAX

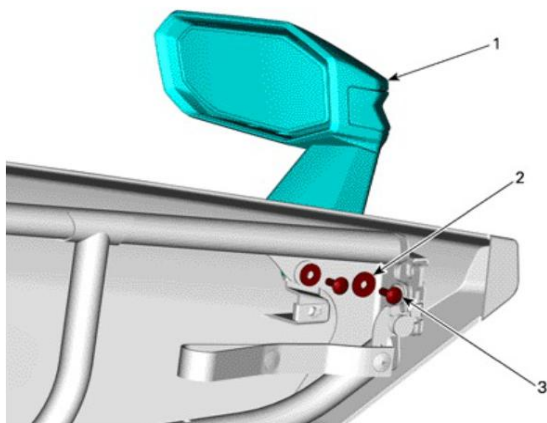


ZP-YJ-030605-003

**NOTE:** Make sure to drill through the two plastic layers so that the mirror makes contact with the door latch support once installed.



6. Insert the mirror assembly into the previously drilled holes. Fix with the fasteners as shown.

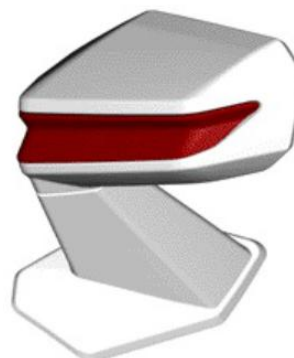


7. Install the previously removed parts in reverse order of removal.

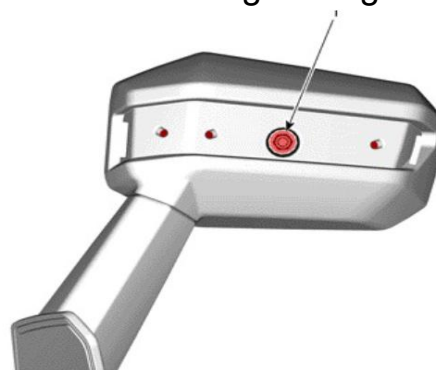
## Mirror Adjustment

To adjust the mirror alignment, follow the following steps.

1. Softly remove the mirror back cover.



2. Loosen the tightening nut.



*Tightening nut*

3. Adjust the mirror alignment by pressing on the edges of the mirror.



4. Hand tighten the tightening nut.

5. Lubricate the mirror back cover pins with soapy water and fix the mirror back cover to the mirror assembly.

