

LED TURN SIGNAL LIGHTS ASSEMBLY



ZP-YJ-030502-002

BEFORE YOU BEGIN

Read these instructions and check to be sure all parts and tools are accounted for. Please retain these installation instructions for future reference and parts ordering information.

KIT CONTENTS

This product includes:



NO.	QTY	PART DESCRIPTION
1	1	Front LH Light
2	1	Front RH Light
3	2	Connecting Wires
4	1	Instructions

TOOLS REQUIRED

- Safety Glasses
- Wrench Set, Metric

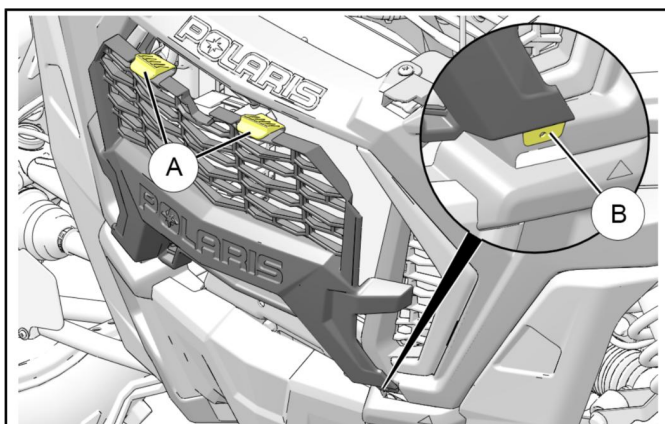
IMPORTANT

This product is exclusively designed for your vehicle. Please read the installation instructions thoroughly before beginning. Installation is easier if the vehicle is clean and free of debris. For your safety, and to ensure satisfactory installation, perform all installation steps correctly in the sequence shown.

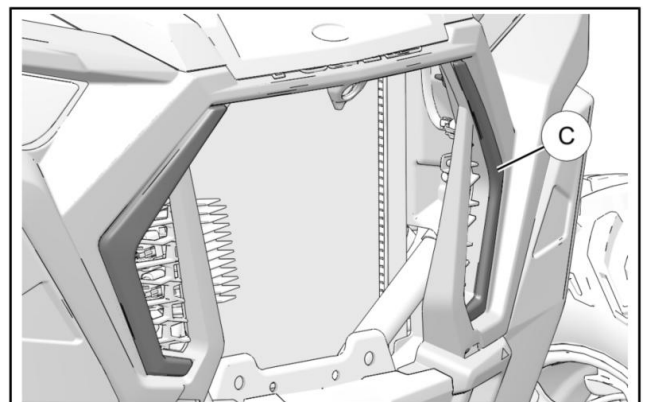
INSTALLATION INSTRUCTIONS

1. Shift vehicle transmission into “PARK”. Turn ignition switch to “OFF” position and remove key.

2. Remove front grille by depressing two tabs (A) at top of grille, tip grille slightly outward, then lift to disengage two lower tabs (B) (LH and RH).



3. Remove LH trim (C) from front fascia by removing three stamped nuts (D). Retain nuts.



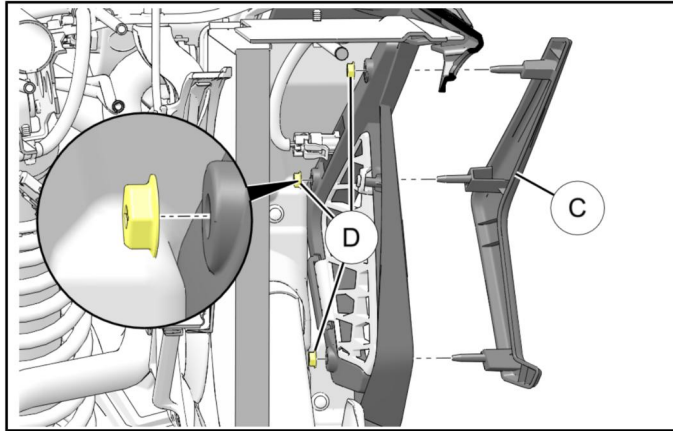
NOTE: Next image shows section view looking forward and outboard at LH trim.

LED TURN SIGNAL LIGHTS ASSEMBLY

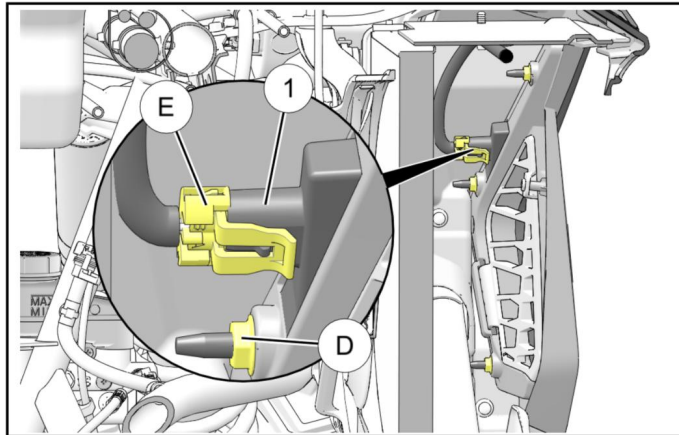
ZP-YJ-030502-002



INSTALLATION INSTRUCTIONS



4. Install front LH light ① to fascia using three retained nuts ④.



5. Remove cap from light connector ⑤, then plug into light.

6. Connect the yellow wire on the light to the left turn signal wire on the vehicle, the white extended wire can be used if needed.

7. Repeat Steps 2 through 6 for RH side of vehicle using RH light ②.

8. Reinstall grille.