

FENDER FLARES KIT

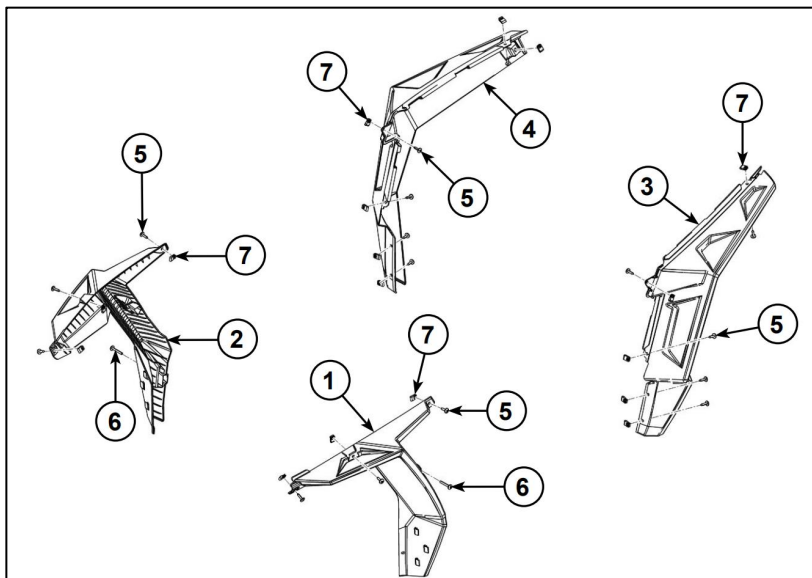
ZP-YJ-030503-010



BEFORE YOU BEGIN

Read these instructions and check to be sure all parts and tools are accounted for. Please retain these installation instructions for future reference.

PACKAGE INCLUDE



1 - Front Fender Flare, LH

2 - Front Fender Flare, RH

3 - Rear Fender Flare, LH

4 - Rear Fender Flare, RH

5 - Screw, M6X1.0X25, TXTH, RIE

6 - Screw, #14X1.75, T40,

7 - Nut-M6-1.0, U-Type (2.5-3.8)

TX, HI/LO

IMPORTANT

Your FENDER FLARES KIT is exclusively designed for your vehicle. Please read the installation instructions thoroughly before beginning. Installation is easier if the vehicle is clean and free of debris.

INSTALLATION INSTRUCTIONS

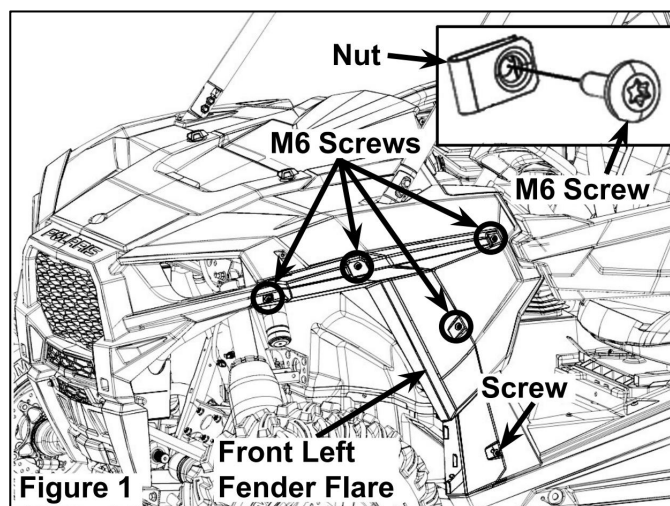
REMOVAL OF STOCK FENDER FLARES

FRONT FENDER FLARES:

1. Remove front left fender flare from body panel by removing four M6 screws and relevant nuts. Remove #14x1.75 mm screw. Figure 1.
2. Repeat the Step 1 for removal of front right fender flare on the opposite side of the vehicle.

REAR FENDER FLARES:

3. Remove rear left fender flare from body panel by removing four M6 screws and relevant nuts. Remove two tuflok rivets. Figure 2.
4. Repeat Step 3 for removal of rear right fender flare on the opposite side of the vehicle.



FENDER FLARES KIT

ZP-YJ-030503-010

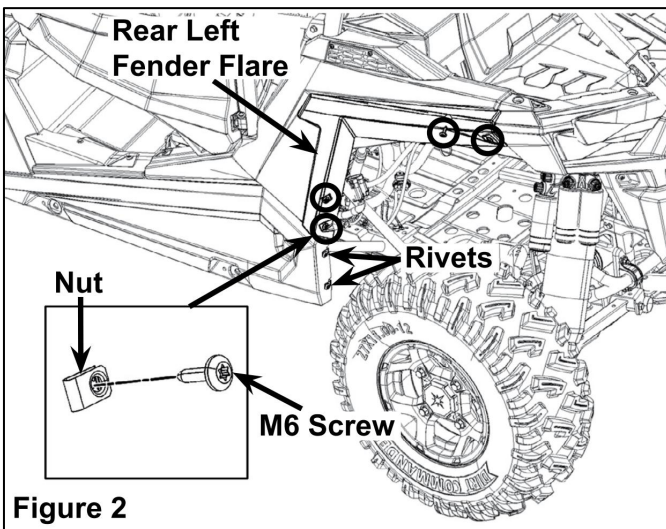


Figure 2

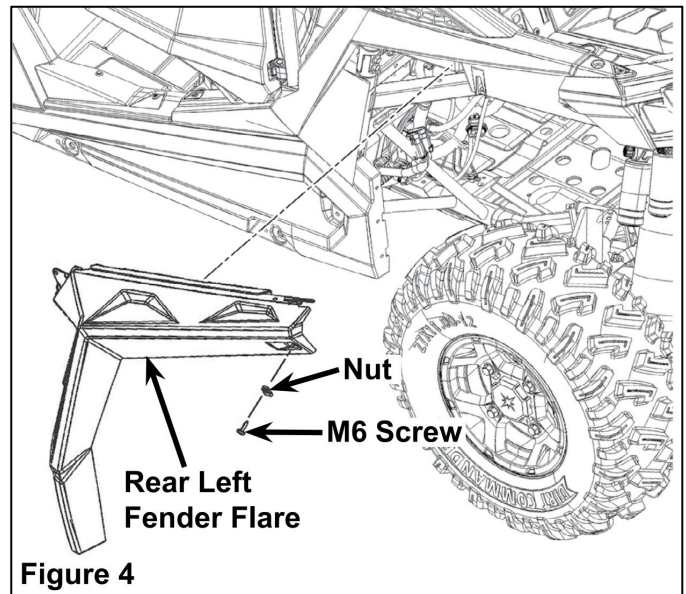


Figure 4

INSTALLATION STEPS

FRONT FENDER FLARES:

1. Align the front left fender flare with body panel and attach by fastening three M6 screws, three U-clip nuts and two #14x1.75 mm screws. Figure 3.
2. Repeat the Step 1 for install the front right fender flare on the opposite side of the vehicle.

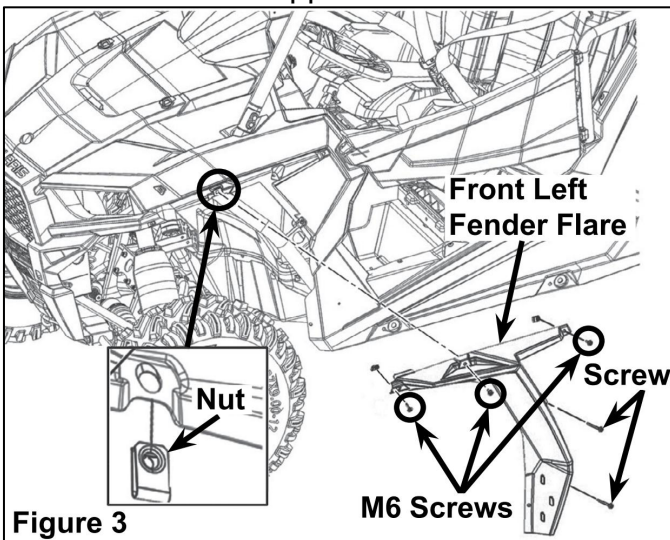


Figure 3

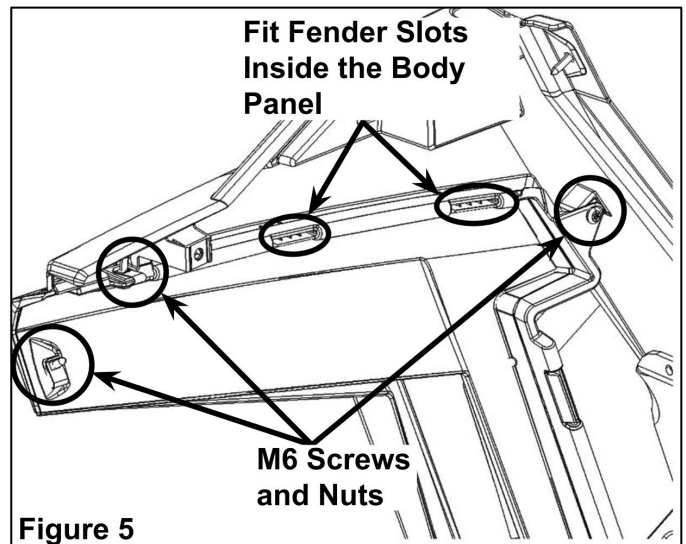


Figure 5

REAR FENDER FLARES:

3. Align rear left fender flare (PN 5439766) with body panel. Fit the fender inside the slots of body panel as shown and attach by fastening six M6 screws and six U-clip nuts. Figure 4, Figure 5 and Figure 6.
4. Repeat Step 3 to install the rear right fender flare on the opposite side of the vehicle.

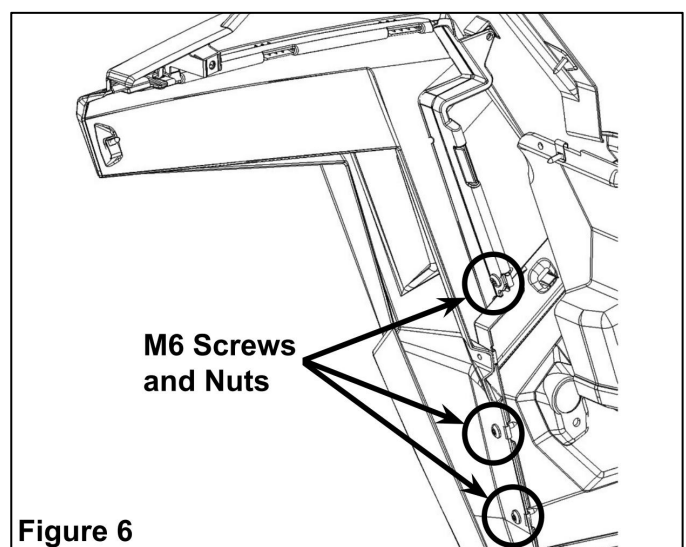


Figure 6