

# LOWER DOOR KIT FOR POLARIS RZR 900

ZP-YJ-030509-013



## BEFORE YOU BEGIN

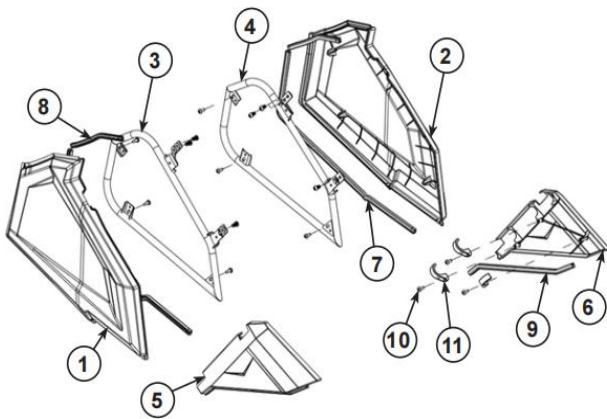
Read these instructions and check to be sure all parts and tools are accounted for. Please retain these installation instructions for future reference.

## IMPORTANT

Your Polaris LOWER DOOR KIT is exclusively designed for your vehicle. Please read the installation instructions thoroughly before beginning. Installation is easier if the vehicle is clean and free of debris.

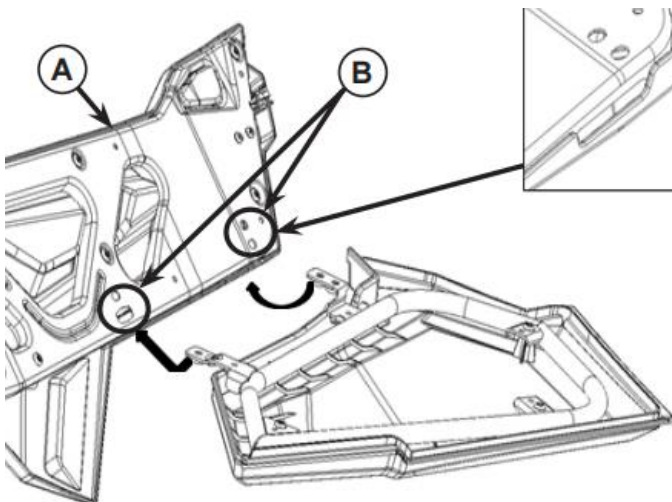
## INSTALLATION INSTRUCTIONS

1. Shift vehicle transmission into "PARK". Turn key to "OFF" position and remove from vehicle.

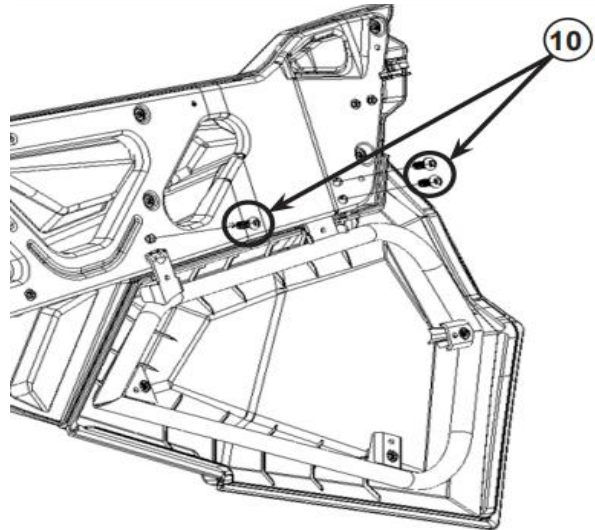


2. Slide the brackets of door lower sub assembly (A) into the slots (B) of door frame.

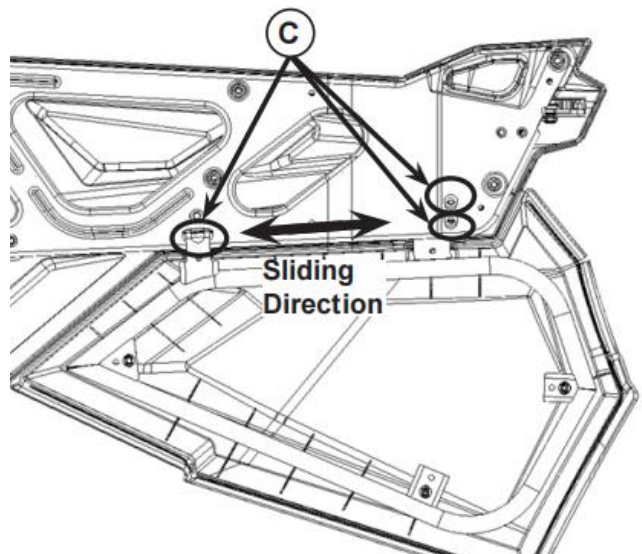
NOTE: May need to loosen the front lower screw to gain better access to insert the front bracket between the outer panel and door stamping.



3. Install the screws (10) at three specific locations. IMPORTANT: Loosely tighten the screws.



4. Adjust lower door using three slots (C) for horizontal adjustment as shown in the figure.

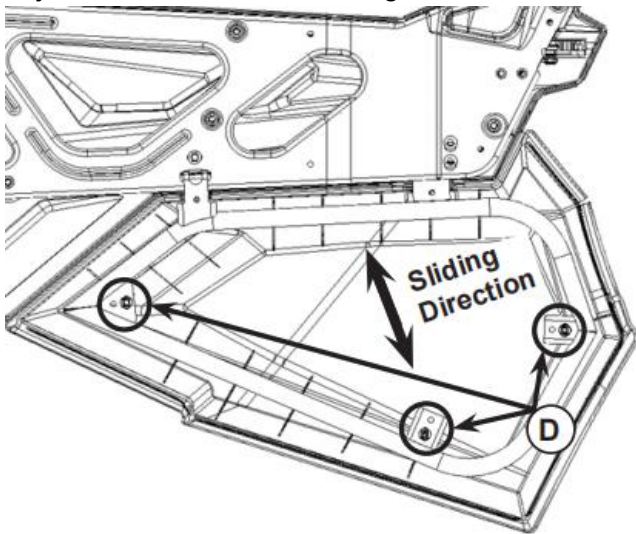


# LOWER DOOR KIT FOR POLARIS RZR 900



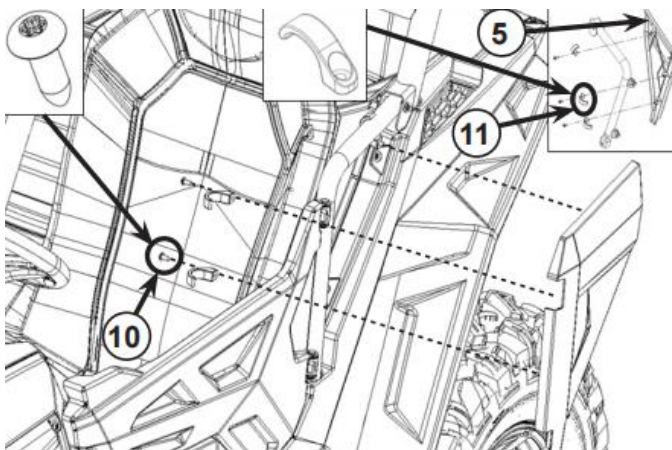
ZP-YJ-030509-013

5. Adjust the door using three slots (D) for vertical adjustment as shown in the figure.



6. After adjustment, tighten the upper screws (10) to torque 16 ft. lbs. (21.7 Nm) and lower three screws to 5 ft. lbs. (6.78 Nm).

7. Install the bolster cover panel (5) onto the bolster using J-mount clamps (11) and screws (10) at three locations. Torque to 5 ft. lbs. (6.78 Nm).



8. Repeat all the above steps for passenger side lower RH door.