

# REAR WINDSHIELD PANEL KIT

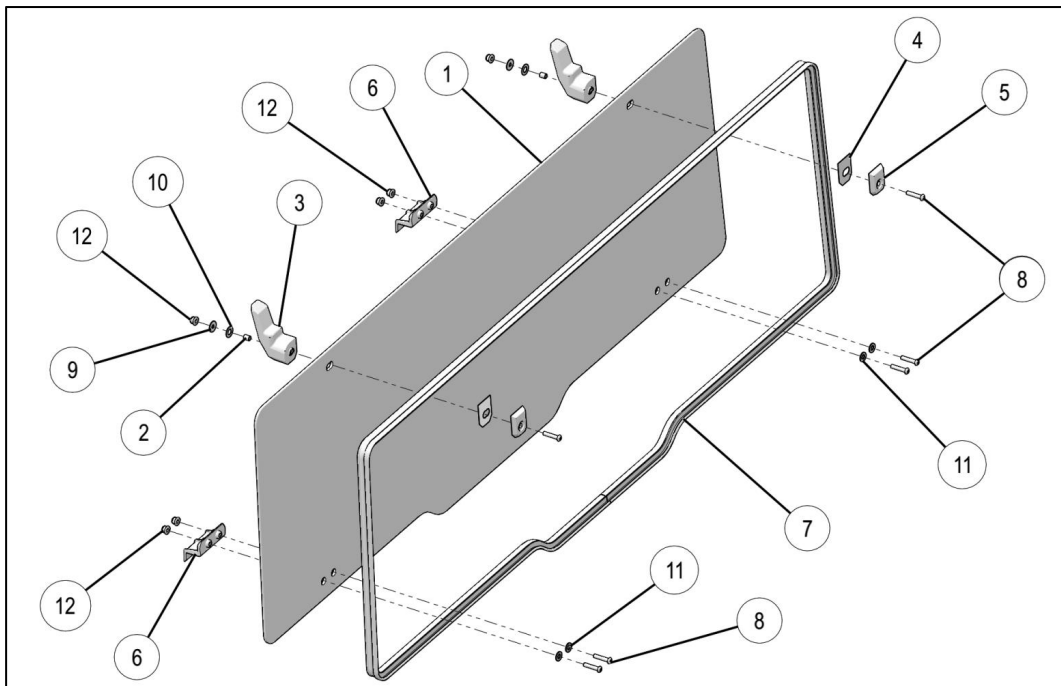
ZP-YJ-030503-009



## BEFORE YOU BEGIN

Read these instructions and check to be sure all parts and tools are accounted for. Please retain these installation instructions for future reference.

## PACKAGE INCLUDE



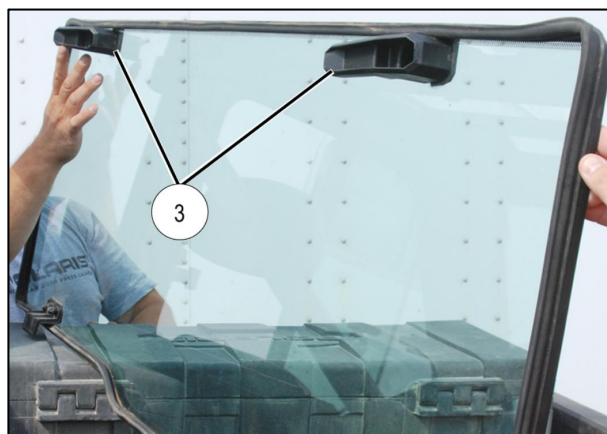
- |                                    |                                |                               |
|------------------------------------|--------------------------------|-------------------------------|
| 1 - Rear Windshield Panel          | 2 - Sleeve - 7.0 X 8.0 X 9.8   | 3 - Handle                    |
| 4 - Shim                           | 5 - Base                       | 6 - Mount                     |
| 7 - Seal for Rear Windshield Panel | 8 - Screw, M6 X 1.0 X 30       | 9 - Washer - 19 X 6.4 X 1 mm  |
| 10 - Washer, Wave-0.390 X 0.750    | 11 - Washer - 8.4 X 16.0 X 1.6 | 12 - Nut, Flange - M6 X 0.020 |

## IMPORTANT

Your REAR WINDSHIELD PANEL KIT is exclusively designed for your vehicle. Please read the installation instructions thoroughly before beginning. Installation is easier if the vehicle is clean and free of debris.

## INSTALLATION INSTRUCTIONS

1. Shift vehicle transmission into "PARK". Turn key to "OFF" position and remove from vehicle.
  2. Rotate both handles (3) counterclockwise to unlocked position as shown.
- NOTICE: For advanced version, there are 3 handles(3) on the windshield panel.



# REAR WINDSHIELD PANEL KIT

ZP-YJ-030503-009

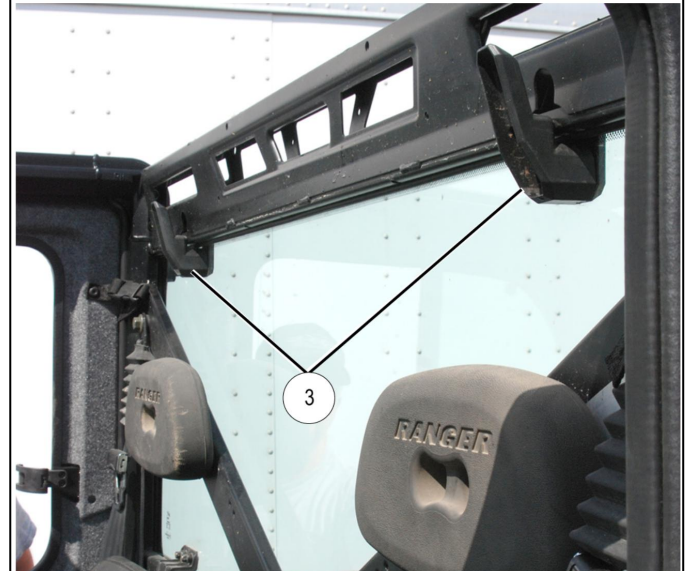


3. Lower panel brackets ⑥ into vehicle frame as shown, then tip upper edge of panel forward into ROPs. Ensure panel is centered from right to left.



4. Rotate handles ③ clockwise to locked position as shown.

NOTICE: For advanced version, there are 3 handles(③) on the windshield panel.



5. To remove, rotate handles ③ counterclockwise to unlocked position, tip upper edge of panel slightly rearward, then lift panel brackets ⑥ from vehicle frame.