

Lower Door KIT

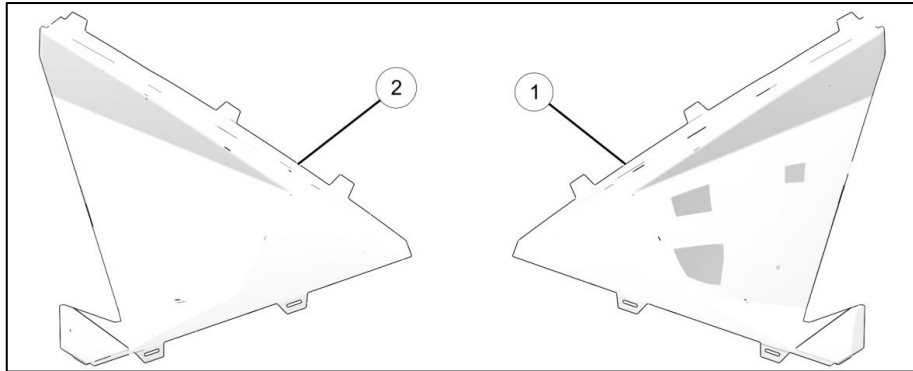
ZP-YJ-030503-008



BEFORE YOU BEGIN

Read these instructions and check to be sure all parts and tools are accounted for. Please retain these installation instructions for future reference.

PACKAGE INCLUDE



1 - Panel - Door, Left-Hand

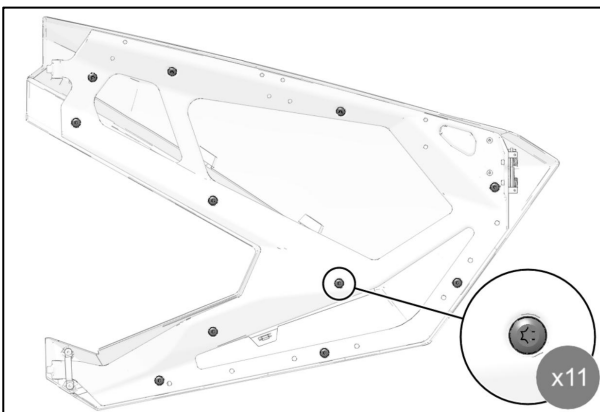
2 - Panel - Door, Right-Hand

IMPORTANT

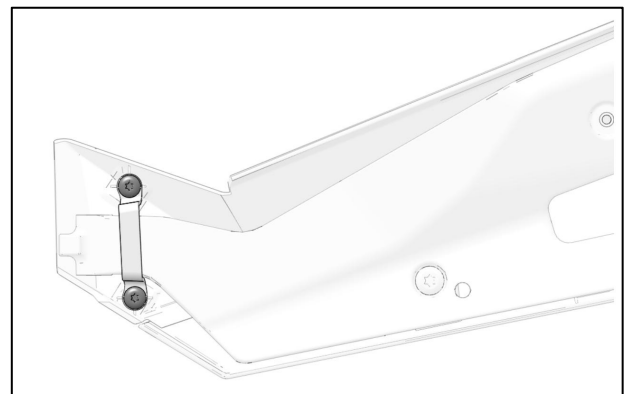
Your LOWER DOOR KIT is exclusively designed for your vehicle. Please read the installation instructions thoroughly before beginning. Installation is easier if the vehicle is clean and free of debris.

INSTALLATION INSTRUCTIONS

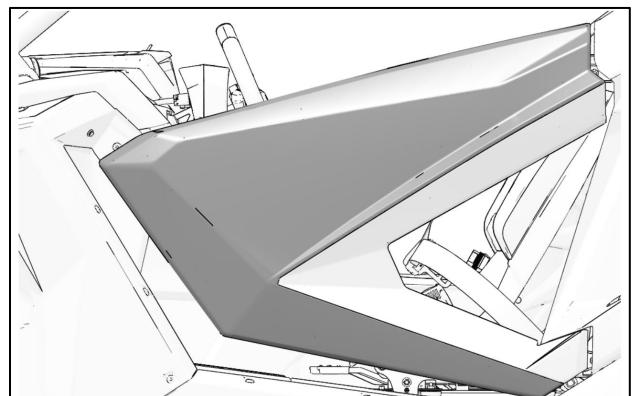
1. Shift vehicle transmission to PARK. Turn key to OFF position and remove from vehicle.
2. Remove and retain eleven (11) door panel fasteners.



3. Remove and retain two bracket fasteners and trim bracket from door panel.



4. Remove door panel from door and carefully set aside.

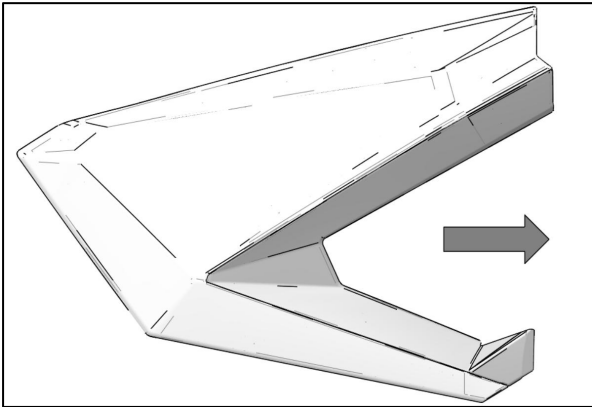


Lower Door KIT

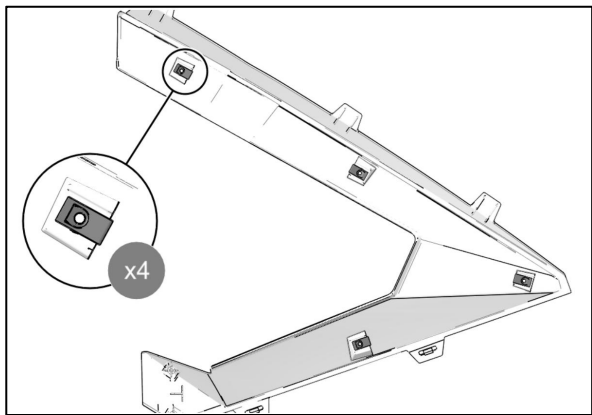
ZP-YJ-030503-008



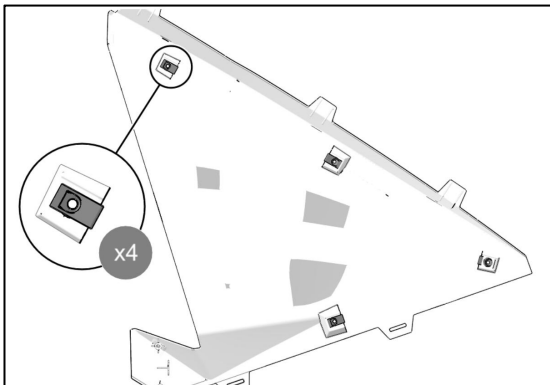
5. Remove and discard door trim panel.



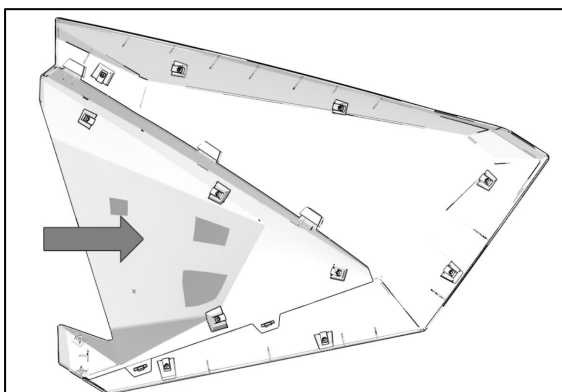
6. Remove and retain four U-nuts.



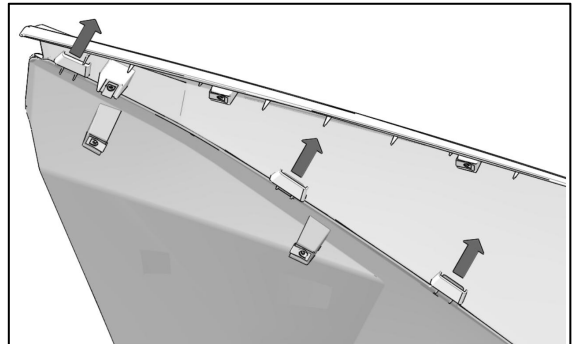
7. Install four retained U-nuts to mounting locations of accessory close-off panel.



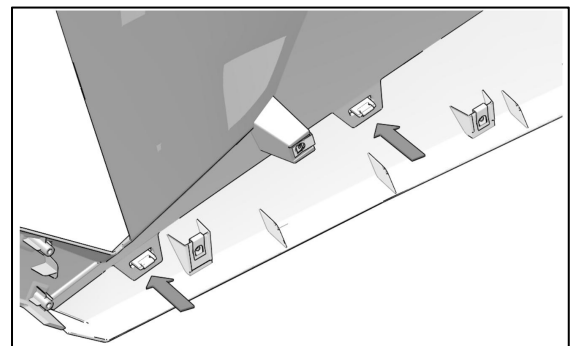
8. Align accessory close-off panel with door panel.



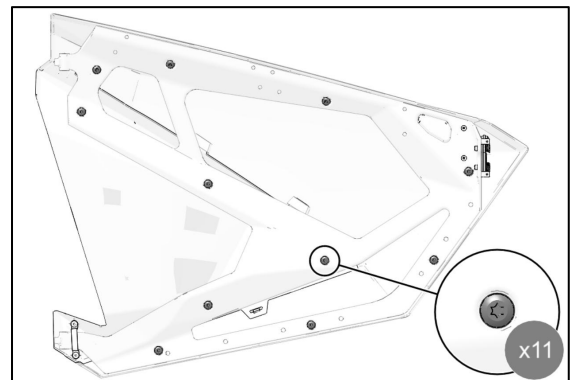
9. Slide top tabs into door panel.



10. Slide close-off panel over bottom tabs protruding from door panel.



11. Align door panel with door frame and install with eleven (11) retained door panel fasteners.



12. Reinstall trim bracket with two trim bracket fasteners.

