

REAR BUMPER (Brushguard) KIT

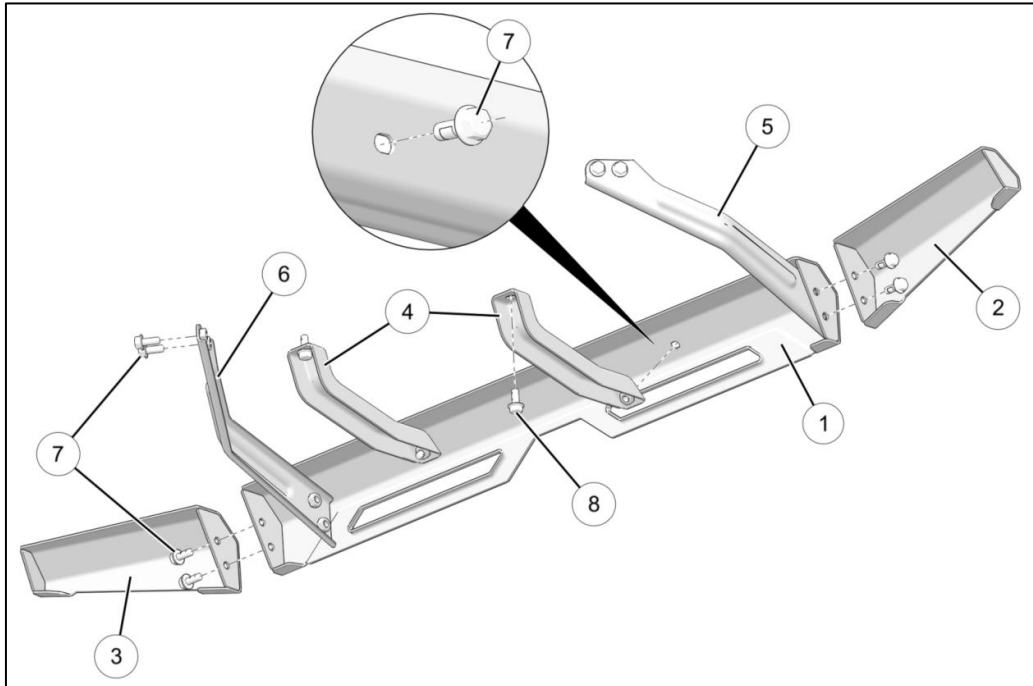
ZP-YJ-030506-001



BEFORE YOU BEGIN

Read these instructions and check to be sure all parts and tools are accounted for. Please retain these installation instructions for future reference.

KIT CONTENTS



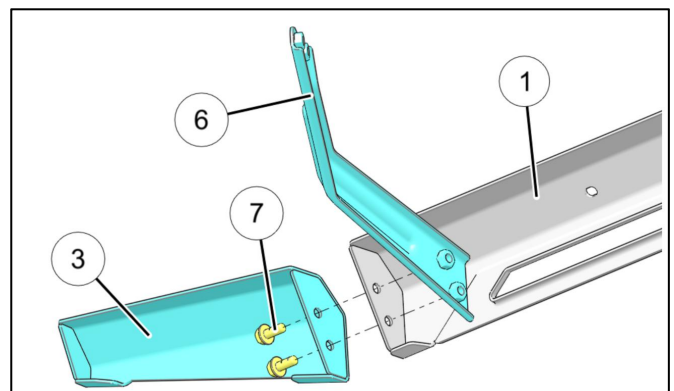
- | | | |
|--------------------------|----------------------------|--|
| 1 - Bumper Center | 2, 3 - Bumper Outboard | 4 - Support, Center |
| 5, 6 - Support, Outboard | 7 - Screws, M8 X 1.25 X 20 | 8 - Screw, Self-Tapping - M8 X 1.25 X 20 |

IMPORTANT

Your Rear Bumper Kit is exclusively designed for your vehicle. Please read the installation instructions thoroughly before beginning. Installation is easier if the vehicle is clean and free of debris.

INSTALLATION INSTRUCTIONS

1. Shift vehicle transmission into "PARK". Turn key to "OFF" position and remove from vehicle.
2. Loosely install RH outboard bumper (3) and center bumper (1) to RH outboard support (6) using two screws (7). Repeat for LH side using LH outboard bumper (2) and LH outboard support (5).

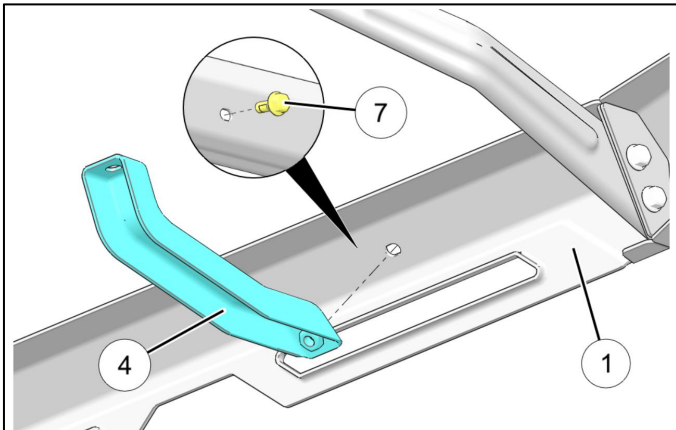


REAR BUMPER (Brushguard) KIT

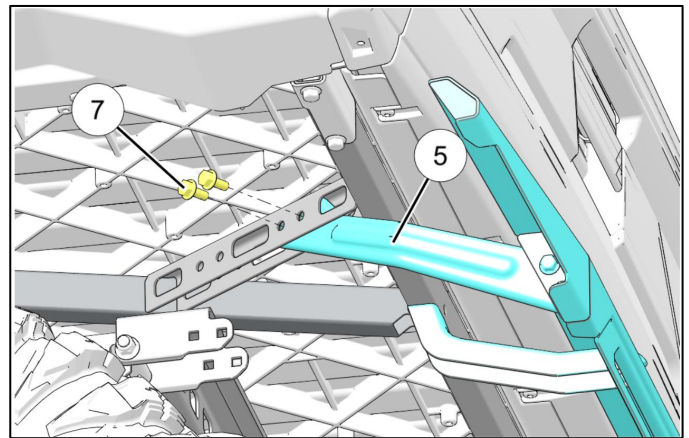
ZP-YJ-030506-001



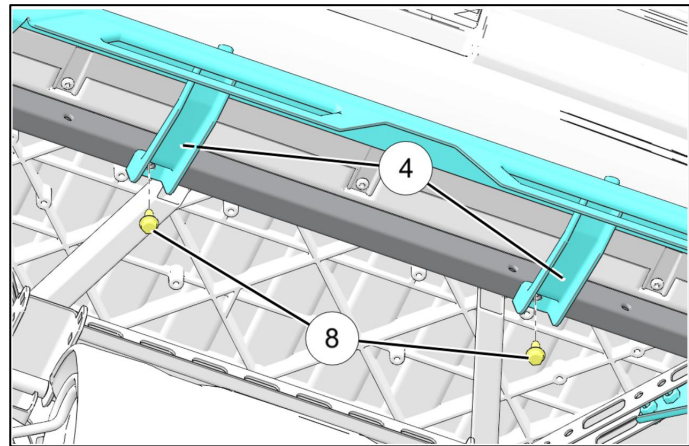
3. Loosely install center support ④ to center bumper ① using screw ⑦. Repeat for opposite side.



4. Loosely install LH outboard support ⑤ to gusset using two screws ⑦. Repeat for RH outboard support ⑥.



5. Loosely install two center supports ④ to cross member using two screws ⑧.



6. Torque all screws ⑦ and ⑧ to specification.