

Polaris General Front Sport Upper Bumper



ZP-YJ-030506-010

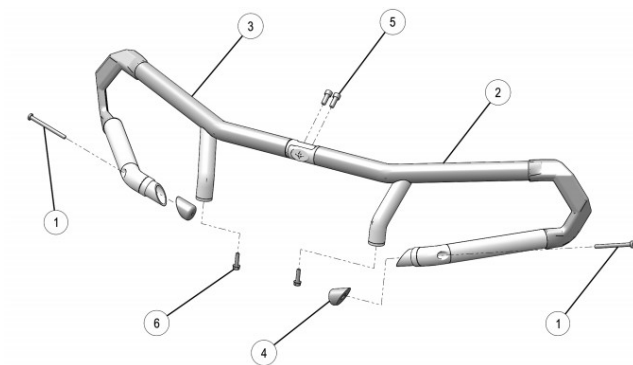
BEFORE YOU BEGIN

Read these instructions and check to be sure all parts and tools are accounted for. Please retain these installation instructions for future reference.

IMPORTANT

Your Sport Upper Front Bumper Kit is exclusively designed for your vehicle. Please read the installation instructions thoroughly before beginning. Installation is easier if the vehicle is clean and free of debris. For your safety, and to ensure a satisfactory installation, perform all installation steps correctly in the sequence shown.

INSTRUCTIONS



Installation

1. Shift vehicle transmission into "PARK". Turn key to "OFF" position and remove from vehicle.
2. The parts of the Bumper



3. Assemble part A1, part B1, part C1 according to the diagram.



4. Assemble part A2, part B2, part C2 according to the diagram.



5. Installation completed.

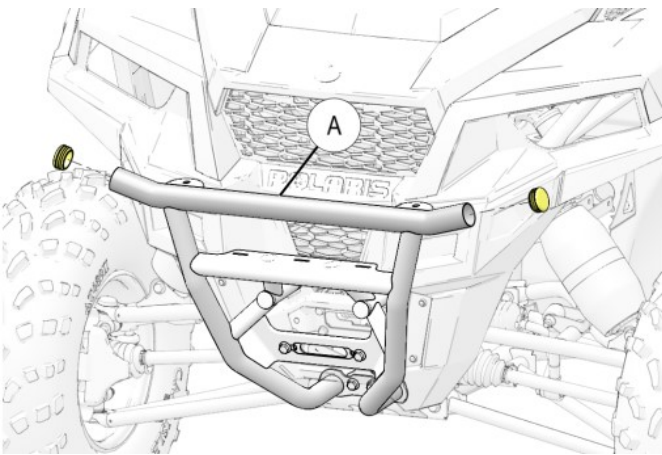


6. Remove plug from each end of existing bumper A. Plugs will not be reused.

Polaris General Front Sport Upper Bumper

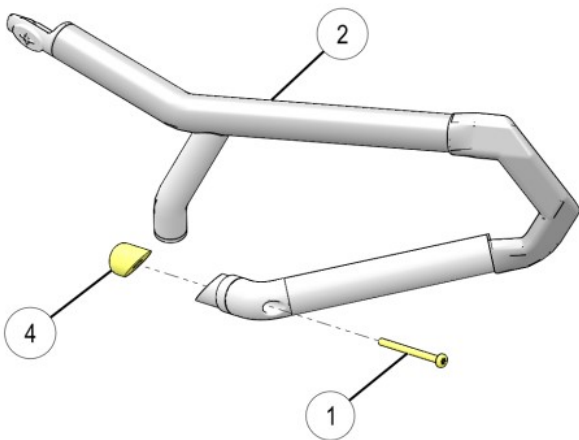


ZP-YJ-030506-010

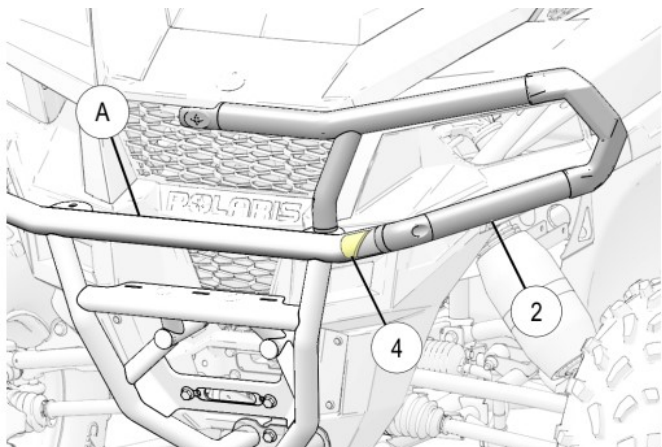


7. Loosely install threaded mount 4 to tapered end of LH bumper 2 using screw 1. Screw should engage only a few threads of threaded mount.

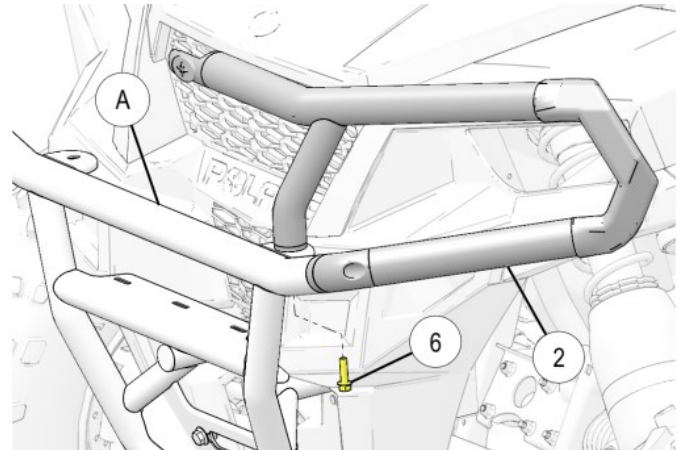
Note: Over-tightening screw will prevent new bumper from entering opening in existing bumper A.



8. Fully insert threaded mount 4 and tapered end of LH bumper 2 into existing bumper A.

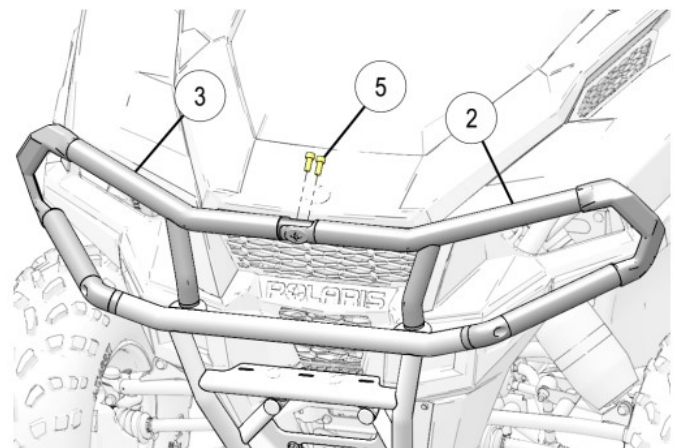


9. Loosely install screw 6 up through mounting ears in existing bumper A, then into LH bumper 2.



10. Repeat Steps 3-5 for RH bumper 3.

11. Install RH bumper 3 to LH bumper 2 using two screws 5.



12. Torque all screws to specification.

Torque: screws 1,6: 16 ± 2 ft. lbs. (22 ± 2 Nm)
screws 5: 40 ft. lbs. (54 Nm)