

Rear Bumper Kit for Polaris General 1000

ZP-YJ-030506-018



BEFORE YOU BEGIN

Read these instructions and check to be sure all parts and tools are accounted for. Please retain these installation instructions for future reference.

IMPORTANT

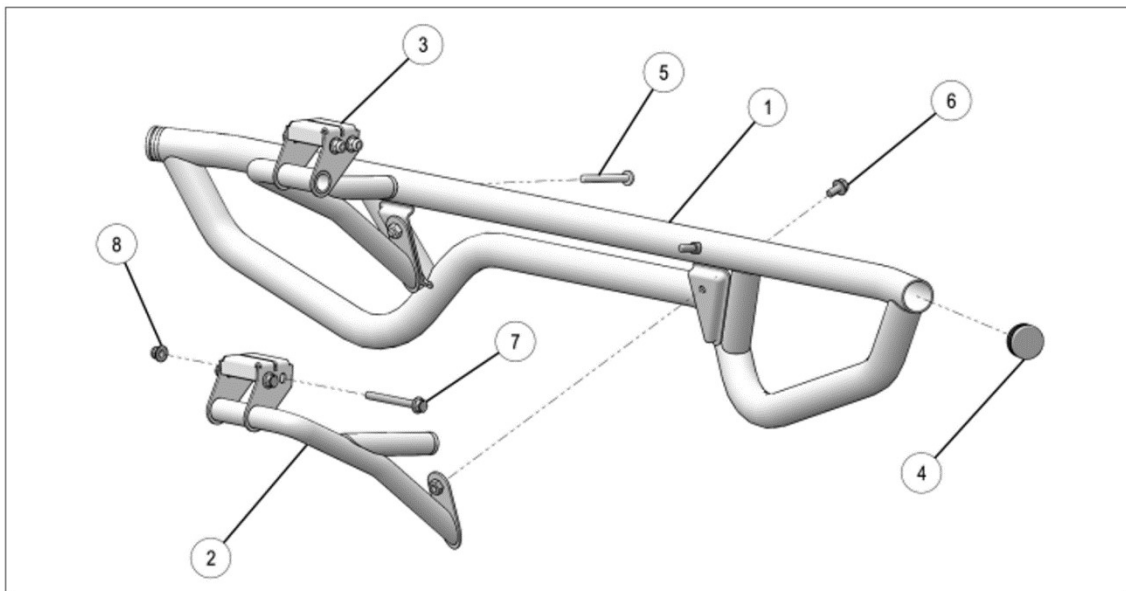
The Rear Bumper Kit is exclusively designed for your vehicle. Please read the installation instructions thoroughly before beginning. Installation is easier if the vehicle is clean and free of debris. For your safety, and to ensure a satisfactory installation, perform all installation steps correctly in the sequence shown.

INSTRUCTIONS

ASSEMBLY



Assemble parts 1, 2, 3 and 4 together with four 8*50 hexagon socket screws and four M8 locknuts



TOOLS REQUIRED

- Safety Glasses
- Socket Set, Metric
- Socket Set, Torx® Bit
- Wrench Set, Metric
- Torque Wrench

INSTALLATION INSTRUCTIONS

1. Shift vehicle transmission into "PARK".

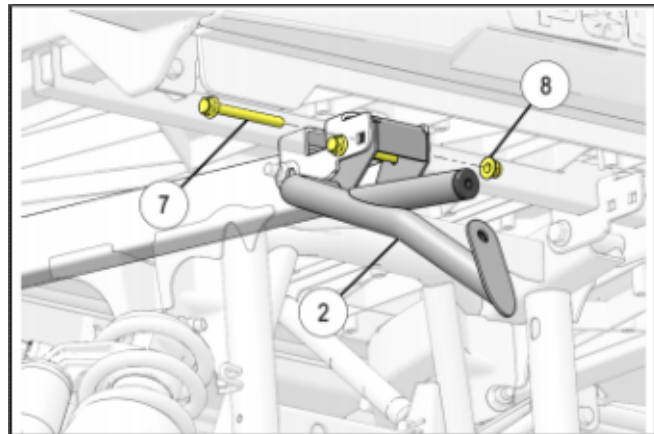
Rear Bumper Kit for Polaris General 1000



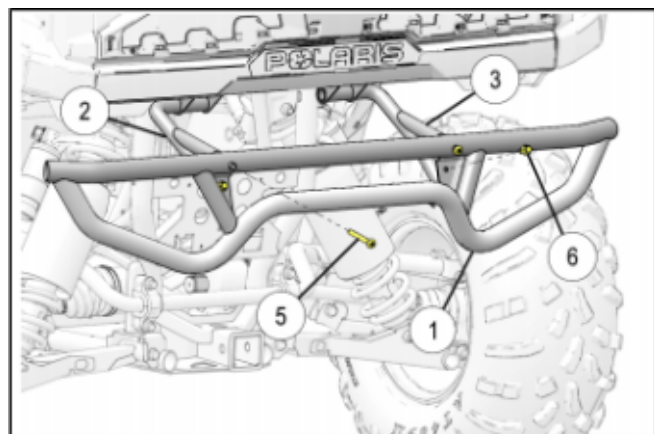
ZP-YJ-030506-018

Turn ignition switch to "OFF" position and remove key.

2. Loosely install LH bumper support 2 to vehicle bed structure using two each screws 7 and nuts 8. Ensure proper orientation: screw heads are outboard, nuts are inboard. Repeat for opposite side using RH bumper support 3.



3. Loosely install bumper 1 to bumper supports 2 and 3 using two screws 5 at upper mounting locations, and two screws 6 at lower mounting locations.



4. Lift bumper 1 as high as possible, then torque all eight screws to specification.

5. Slowly open vehicle box to ensure bumper clears all vehicle components and structure. Adjust as required.

6. Insert plugs 4 into open ends of bumper 1.

