

# FRONT STORAGE BOX KIT FOR POLARIS RZR PRO R

ZP-YJ-030508-013

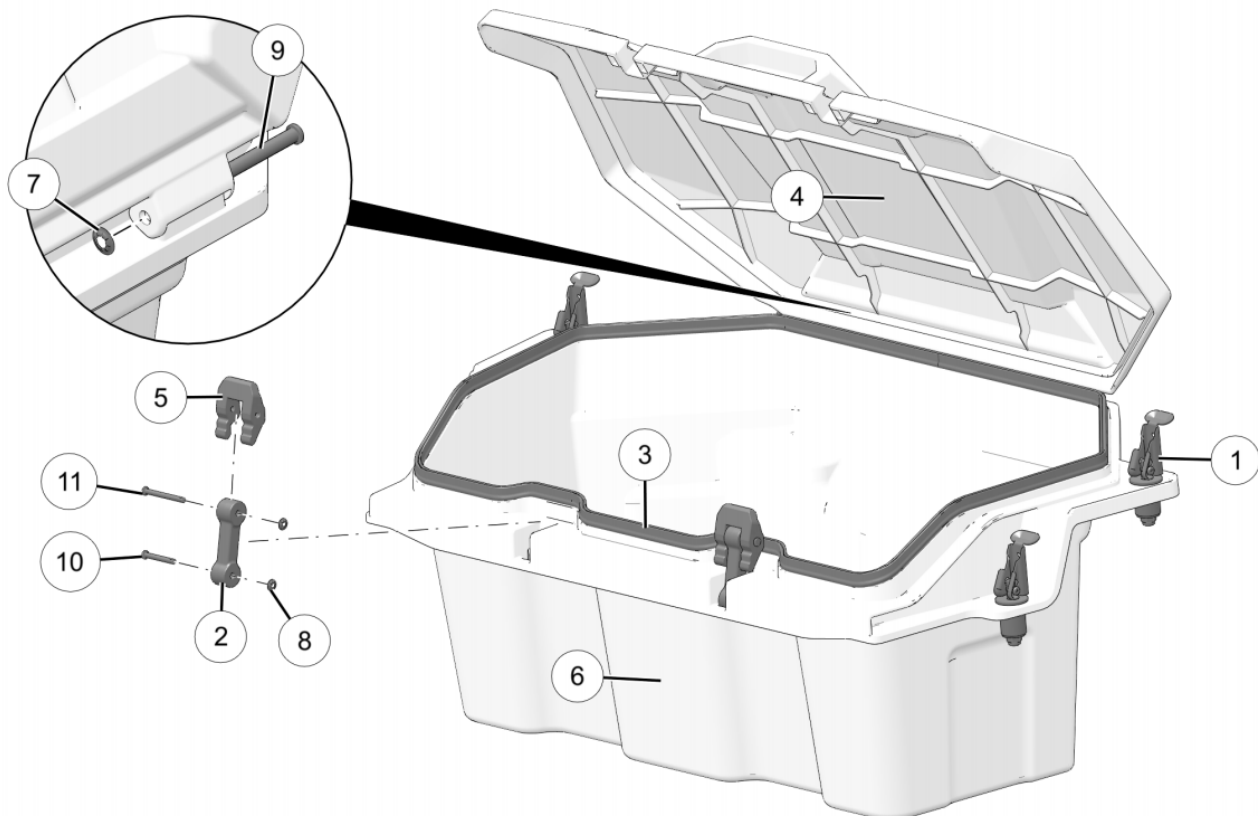


## BEFORE YOU BEGIN

Read these instructions and check to be sure all parts and tools are accounted for. Please retain these installation instructions for future reference.

## IMPORTANT

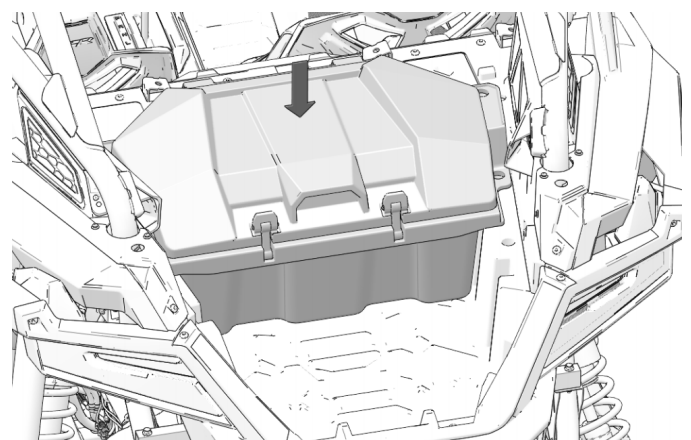
This Storage Box is exclusively designed for your vehicle. Please read the installation instructions thoroughly before beginning. Installation is easier if the vehicle is clean and free of debris.



## INSTALLATION INSTRUCTIONS

Note: Shift vehicle transmission into "PARK". Turn key to "OFF" position and remove from vehicle.

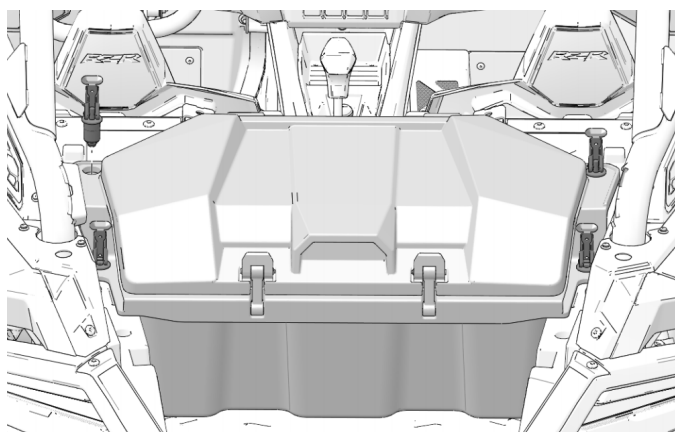
1. Place pre-assembled storage box in front-most part of cargo box. Make sure Lock & Ride storage box holes are aligned with mounting holes in cargo box.



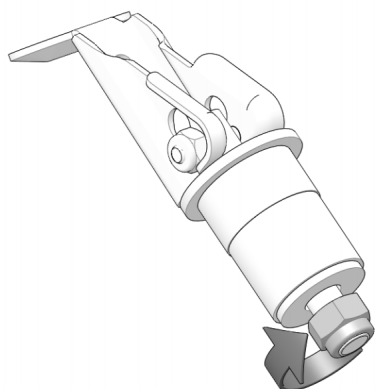
2. Place four Lock & Ride assemblies in four aligned mounting holes.

# FRONT STORAGE BOX KIT FOR POLARIS RZR PRO R

ZP-YJ-030508-013



3. Lock & Ride assemblies may need adjustment.  
Tighten or loosen bottom nut depending on fitment.



4. Make sure Lock & Ride assemblies are fully seated before closing top lever and securing storage box.

