

# Lower Door Kit for Polaris RZR XP 1000



ZP-YJ-030509-002

## BEFORE YOU BEGIN

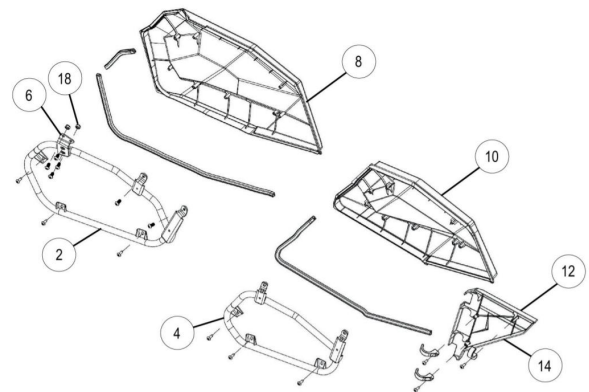
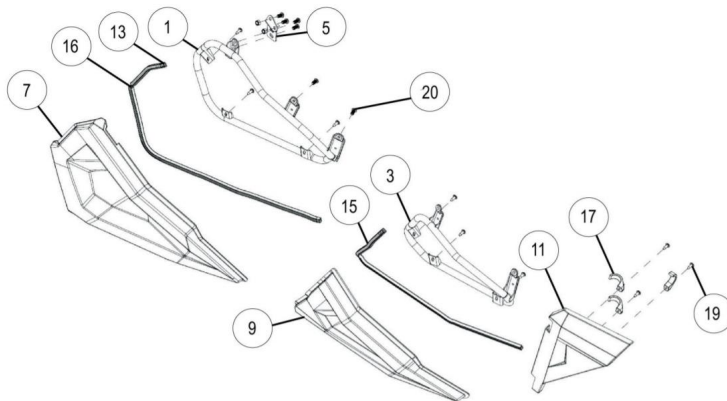
Read these instructions and check to be sure all parts and tools are accounted for. Please retain these installation instructions for future reference.

## IMPORTANT

This FOLDING SIDE MIRRORS KIT is exclusively designed for your vehicle. Please read the installation instructions thoroughly before beginning. Installation is easier if the vehicle is clean and free of debris.

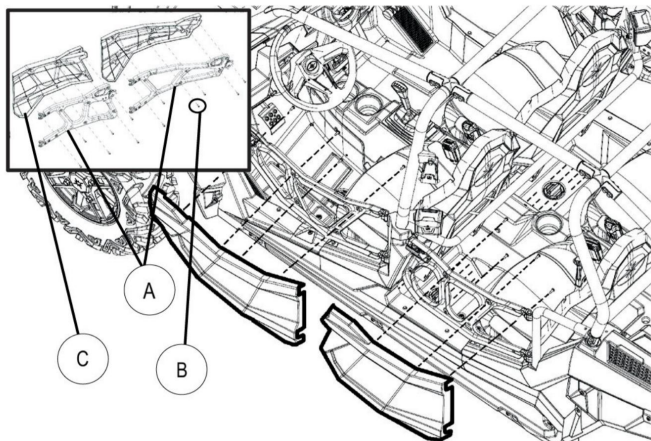
The Installation Guide Video is available in the listing, please refer to it before your installation. The assembly time is about 50-60 minutes.

## KIT CONTENTS

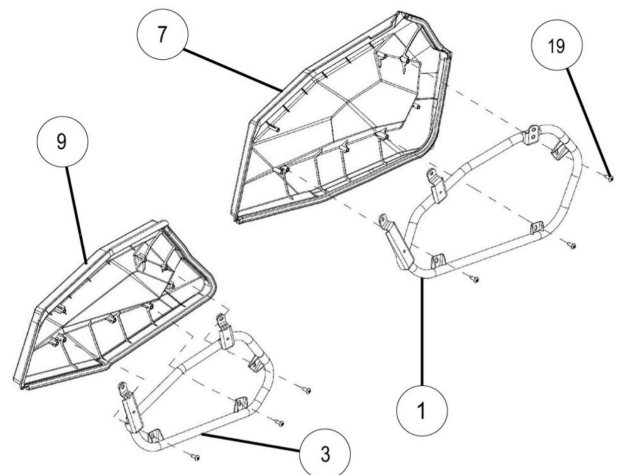


## INSTALLATION INSTRUCTIONS

1. Shift vehicle transmission into "PARK". Turn key to "OFF" position and remove from vehicle.
2. Remove front and rear upper door panels (C) from upper door frames (A) by removing six screws (B) from each panel as shown. Retain screws.



screws (19) per door as shown.



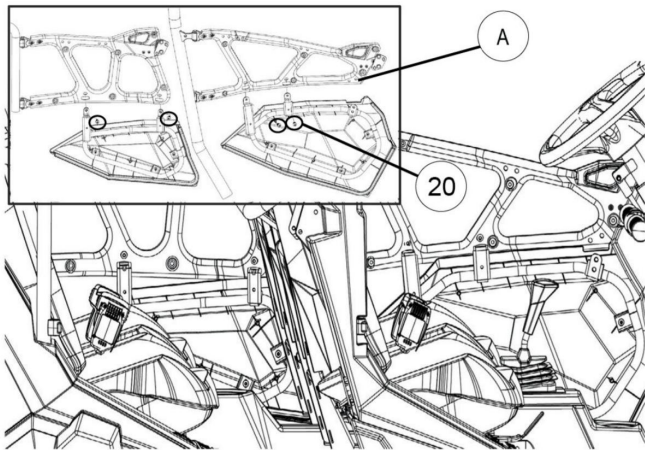
3. Loosely install lower door panels (7) and (9) to lower door frames (1) and (3) using three

4. Slide lower door subassembly brackets into slots in upper door frame (A), then loosely install two screws (20) per door as shown.

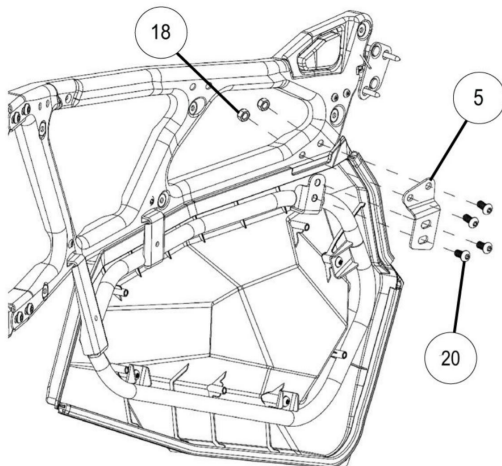
# Lower Door Kit for Polaris RZR XP 1000



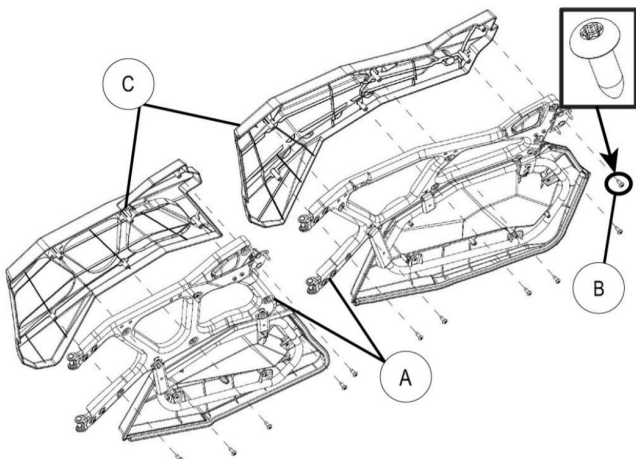
ZP-YJ-030509-002



5. Install lower door mount (5) using four screws (20) and two nuts (18) as shown. Torque UPPER two screws to specification. Do not tighten lower two screws at this time.

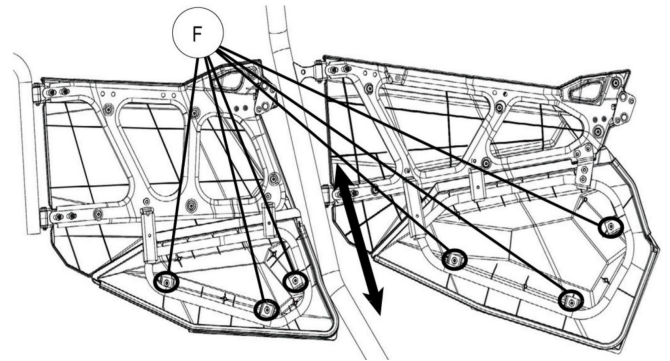
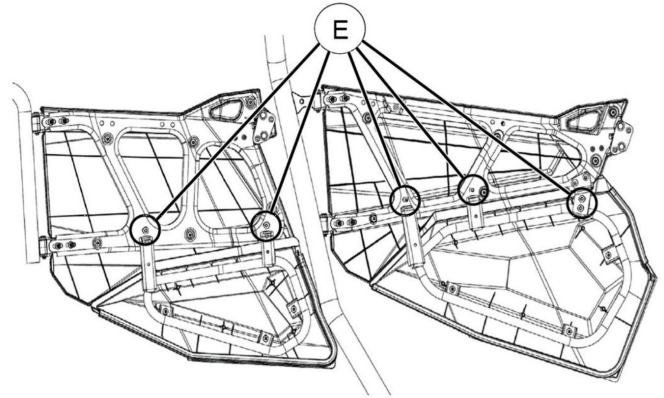


6. Reinstall front and rear upper door panels (C) to upper door frames (A) as shown using six retained screws (B) removed in Step 2. Torque to specification.

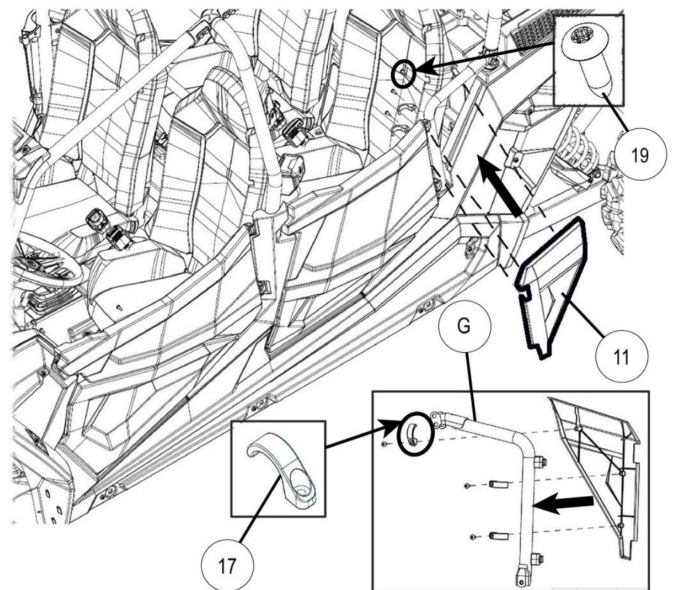


7. Adjust lower door panels (7) and (9) using

six slots (E) for horizontal adjustment and six slots (F) for vertical adjustment as shown. Torque screws to specification.



8. Install bolster panel (11) to bolster (G) using three each J-mount clamps (17) and screws (19) as shown.



9. Repeat Steps 2–8 for RH side using lower door frames (2) and (4), lower door panels (8) and (10), lower door mount (6), and bolster panel (12). Torque to specification.