

XXL REAR FENDER FLARE KIT FOR CAN AM X3

ZP-YJ-030610-009



BEFORE YOU BEGIN

Read these instructions and check to be sure all parts and tools are accounted for. Please retain these installation instructions for future reference.

IMPORTANT

The XXL Rear FENDER FLARE KIT is exclusively designed for your vehicle. Please read the installation instructions thoroughly before beginning. Installation is easier if the vehicle is clean and free of debris.

Note: Shift vehicle transmission into "PARK". Turn key to "OFF" position and remove from vehicle.

INSTALLATION INSTRUCTIONS

1. Assemble the two parts of the fender flare by 5x16 screws.



3. Install the fender flare on the vehicle by 5X30 self-tapping screws and flat washers.

2. Fix the two parts of the fender flare by M6x16 screws as picture.

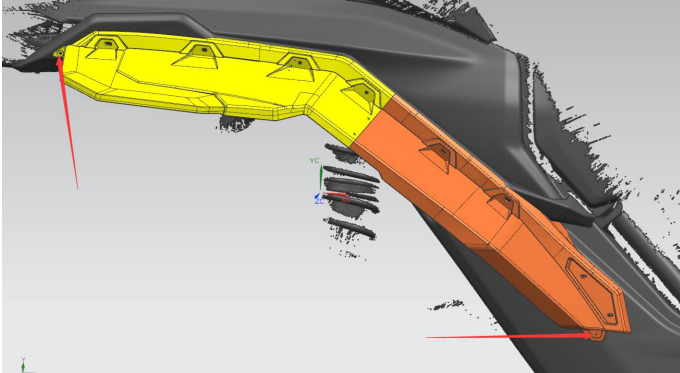


XXL REAR FENDER FLARE KIT FOR CAN AM X3

ZP-YJ-030610-009

SAUTV5®

4. Attach the two ends (as the arrows show) to the vehicle by M5X20 screws and M5 nuts.



5. Repeat above step 1-4 to install the other rear fender flare on the other side of the vehicle.



6. Installation finished.