

Front Rack for POLARIS Sportsman XP 1000 850

SAUTV5

ZP-YJ-030503-125

BEFORE YOU BEGIN

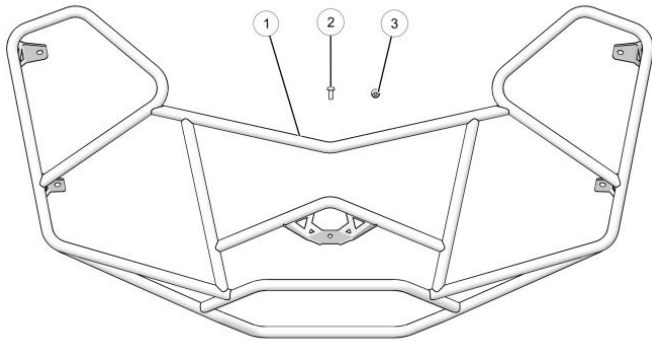
Read these instructions and check to be sure all parts and tools are accounted. Please retain these installation instructions for future reference.

IMPORTANT

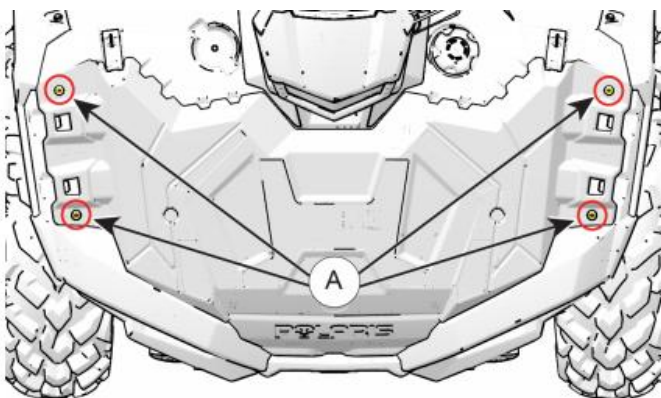
This Front Rack is exclusively designed for your vehicle. Please read the installation instructions thoroughly before beginning. Installation is easier if the vehicle is clean and free of debris.

INSTALLATION INSTRUCTIONS

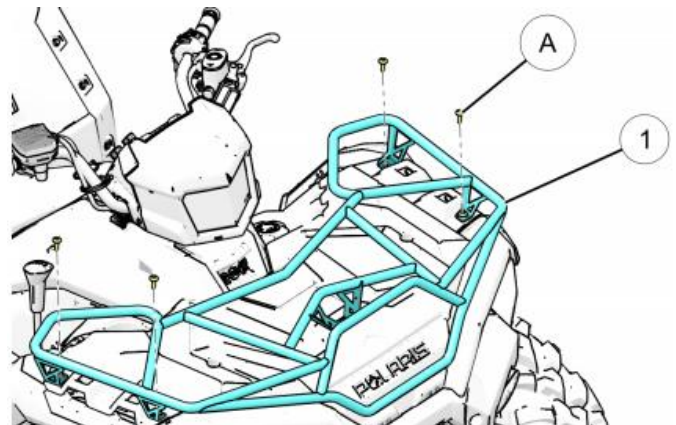
1. Shift vehicle transmission into "PARK". Turn key to "OFF" position and remove from vehicle.
2. Products and accessories:



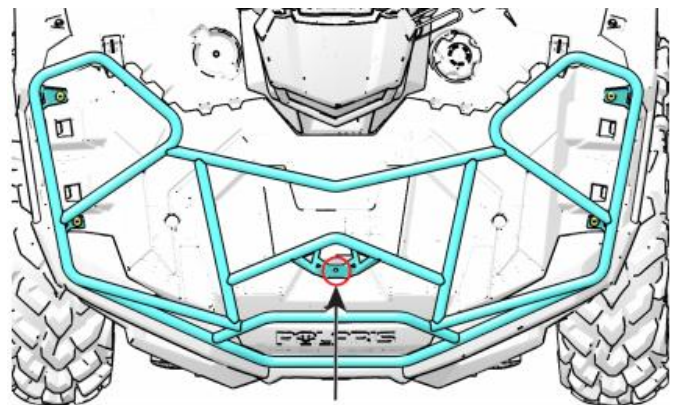
3. Remove four screws A from shown locations. Retain screws for later use.



4. Place rack on front storage box cover, align mounting holes and fasten using existing screws A.



5. Once you have secured the rack you will need to use a drill and 1/4" drill bit to make a new hole for fastening the center support of the rack to the front storage box cover in the location indicated below.

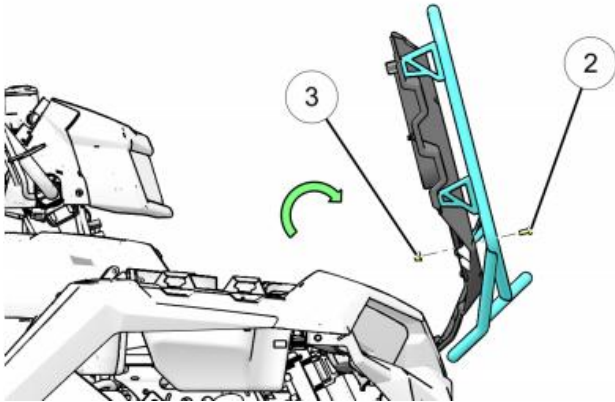


6. After drilling new mounting hole, open front storage box cover to gain access to the underside. Use provided screw w and nut e to secure center rack mount into position.

Front Rack for POLARIS Sportsman XP 1000 850

ZP-YJ-030503-125

SAUTV5



7. Check to ensure all tools are accounted for and all steps have been completed.

Note: Please refer to the installation video in the Amazon listing before your installation, or contact the seller for the installation video.