

Rear Rack Kit for POLARIS Sportsman 570

ZP-YJ-030503-124

BEFORE YOU BEGIN

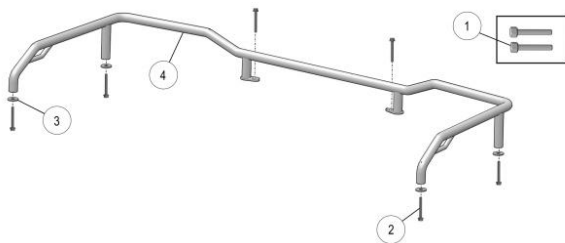
Read these instructions and check to be sure all parts and tools are accounted. Please retain these installation instructions for future reference.

IMPORTANT

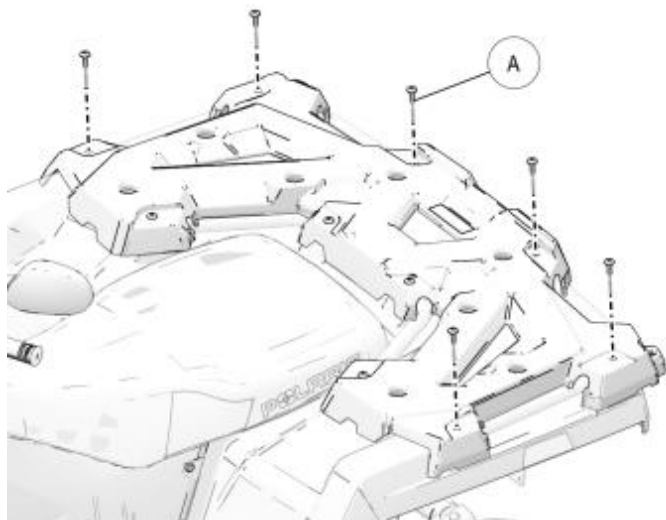
This Rear Rack Kit is exclusively designed for your vehicle. Please read the installation instructions thoroughly before beginning. Installation is easier if the vehicle is clean and free of debris.

INSTALLATION INSTRUCTIONS

1. Shift vehicle transmission into "PARK". Turn key to "OFF" position and remove from vehicle.
2. Products and accessories:

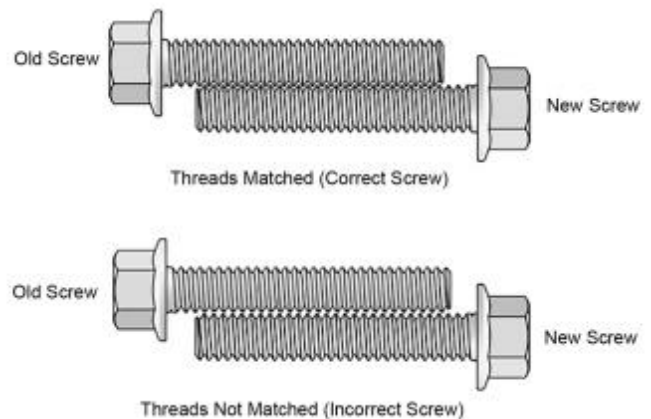


3. Remove and discard the six machine screws (A) and four original nuts holding the tubes to the rack.

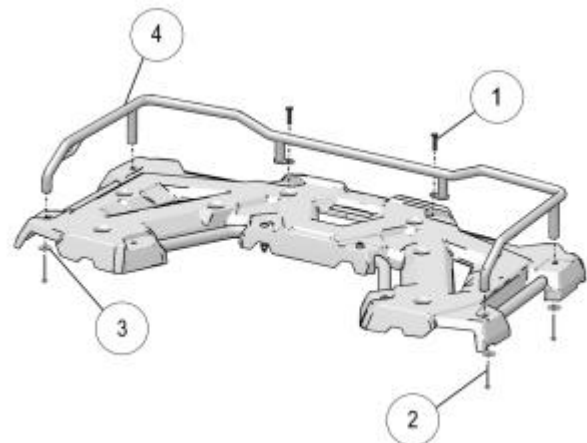


Note: Assemble all hardware before tightening rack extender.

Note: MY14 models use M6 screws and MY15 and newer models use 1/4-20 screws for installing in the center of the rack extender. Make sure to check the screws right for the machine and replace the screws with new screws if required.



4. Assemble two 1/4-20 Hex screws 1 or M6 screws 2 in the center of the rack extender.
5. Install the remaining four M6 x 60 mm hex screws 2 with M6 washers 3 on the outer corners of the rack extender 4 .
6. Tighten all screws.



Note: Please refer to the installation video in the Amazon listing before your installation, or contact the seller for the installation video.